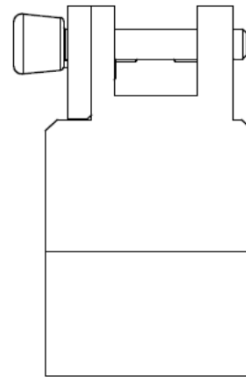
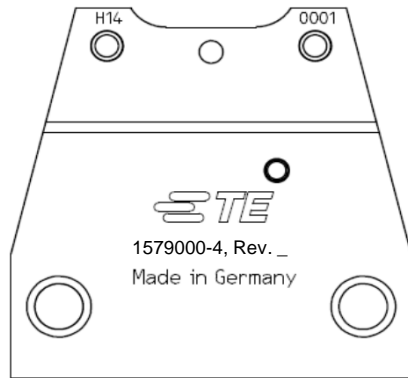


LOC	DIST	REVISIONS					
A1	00	P	LTR	DESCRIPTION	DATE	DWN	APVD
			B1	ECR-16-005758	21MAR16	LS	LB

HTV10- ADAPTER

FÜR ELEKTRISCHE CRMIPMASCHINE AT-300 /
FOR ELECTRIC CRIMPING MACHINE, AT-300



Mounting are explain in Customer manual:
TE P/N 3-744017-7 / IS 412-94328

Abmessungen / Dimension:

Länge / Length: 49mm
Breite / Width: 50mm

Ausführung: Workmanship:

- Leichte Handhabung
Easy handling
- Oberfläche brüniert
Burnished surface

RELEASED FOR PUBLICATION

ALL INTERNATIONAL RIGHT RESERVED.

BY TYCO ELECTRONICS CORPORATION.

THIS DRAWING IS UNPUBLISHED.

COPYRIGHT

DIMENSION: mm	DWN 13JAN2009 Ch. Witt	MATERIAL	FINISH		
	CHK 13JAN2009 Ch. Witt		TE Connectivity		
TOLERANCES UNLESS OTHERWISE SPECIFIED: 0 PLC ± - 1 PLC ± - 2 PLC ± - 3 PLC ± - 4 PLC ± - ANGLES ± -	APVD 13JAN2009 G. Stegmayer	NAME HTV10- ADAPTER, AT-300 HTV10- Adapter			
PRODUCT SPEC	APPLICATION SPEC	SIZE A4			CAGE CODE 00779
	WEIGHT 0,36 kg	CUSTOMER DRAWING	SCALE -	SHEET 1 of 1	REV B1