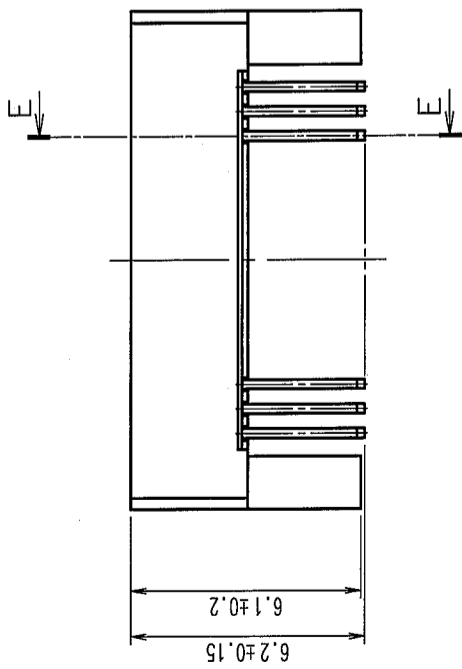
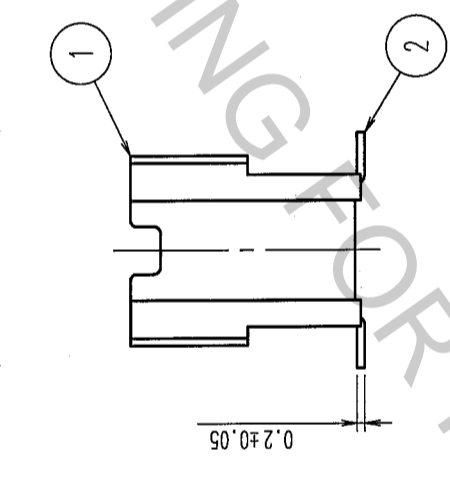
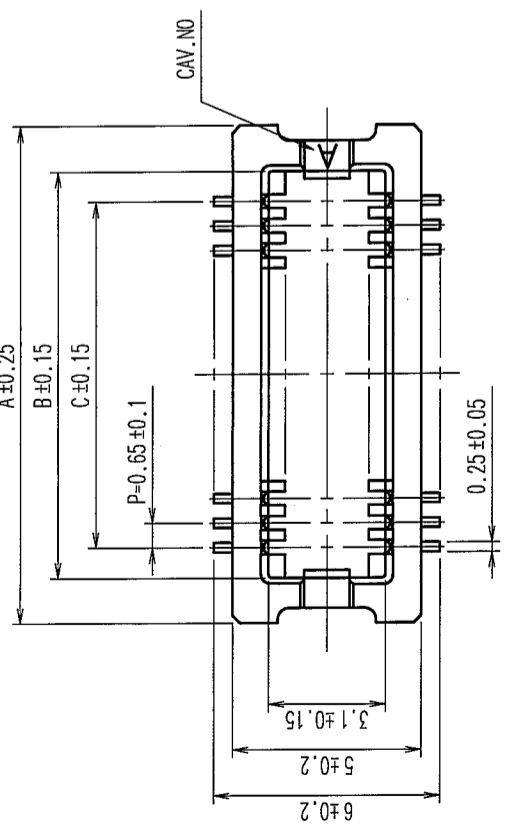
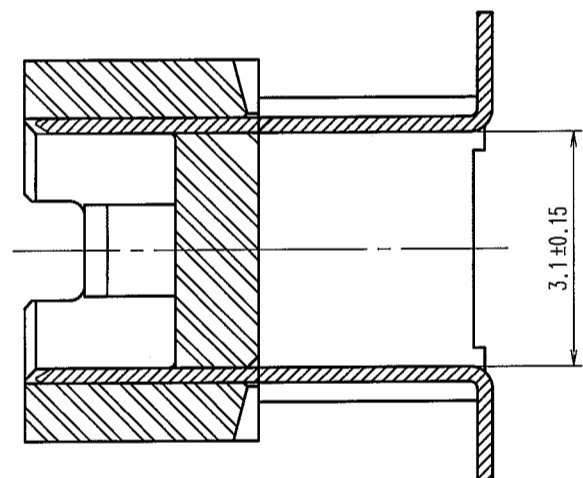


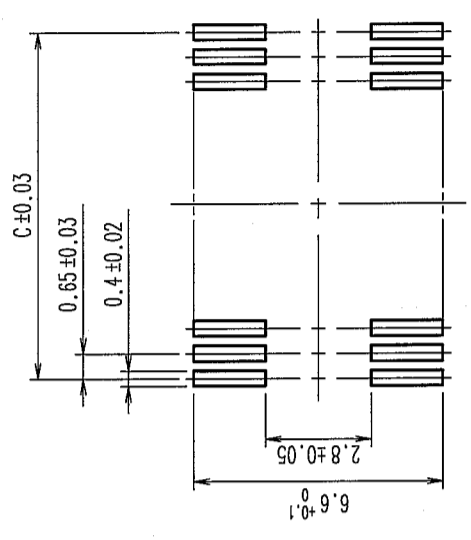
| COUNT | DESCRIPTION OF REVISIONS | BY | CHKD | DATE | COUNT | DESCRIPTION OF REVISIONS | BY | CHKD | DATE |
|-------|--------------------------|----|------|------|-------|--------------------------|----|------|------|
| △     |                          |    |      |      | △     |                          |    |      |      |
| △     |                          |    |      |      | △     |                          |    |      |      |
| △     |                          |    |      |      | △     |                          |    |      |      |

| PART No.                  | CODE No.        | CONTACTS | A     | B     | C     | D     |
|---------------------------|-----------------|----------|-------|-------|-------|-------|
| DF15C(6.2)-20DP-0.65V(56) | CL677-0192-8-56 | 20       | 9.85  | 7.45  | 5.85  | 7.05  |
| DF15C(6.2)-30DP-0.65V(56) | CL677-0193-0-56 | 30       | 13.1  | 10.7  | 9.1   | 10.3  |
| DF15C(6.2)-40DP-0.65V(56) | CL677-0194-3-56 | 40       | 16.35 | 13.95 | 12.35 | 13.55 |
| DF15C(6.2)-50DP-0.65V(56) | CL677-0195-6-56 | 50       | 19.6  | 17.2  | 15.6  | 16.8  |

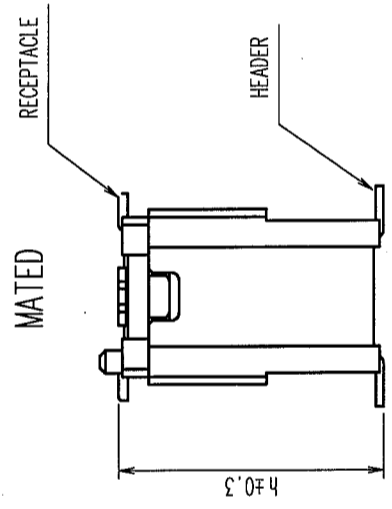
E-E (10:1)



RECOMMENDED PATTERN



NOTES 1 : LEAD CO - PLANARITY SHALL BE 0.1mm MAX.



|   |                 |                                      |   |           |                               |
|---|-----------------|--------------------------------------|---|-----------|-------------------------------|
| 2 | PHOSPHOR BRONZE | CONTACT AREA: GOLD PLATED 0.1μm min  | 5 | PS        | BLACK (PLASTIC REEL)          |
| 1 | POLYAMIDE       | LEAD AREA: TIN PLATED 1μm min        | 4 | POLYESTER | CLEAR (COVER TAPE)            |
|   |                 | UNDER PLATING: NICKEL PLATED 1μm min | 3 | PS        | CLEAR (EMBOSSED CARRIER TAPE) |

| MATED HIGHT (h) | HEADER NO.               | DF15C(6.2)-*DP-0.65V(56) |
|-----------------|--------------------------|--------------------------|
| 7               | DF15#(0.8)-*DS-0.65V(**) | 7                        |
| 8               | DF15#(1.8)-*DS-0.65V(**) | 8                        |

|                |          |                 |          |          |
|----------------|----------|-----------------|----------|----------|
| NO.            | MATERIAL | FINISH, REMARKS | NO.      | MATERIAL |
| CODE NO. (OLD) |          |                 | DESIGNED | CHECKED  |
|                |          |                 | APPROVED | RELEASED |

|             |                |          |                          |
|-------------|----------------|----------|--------------------------|
| DRAWING NO. | EDC3-302784-08 | PART NO. | DF15C(6.2)-*DP-0.65V(56) |
| SCALE       | 5 : 1          | CODE NO. | CL677                    |
| UNITS       | mm             |          |                          |

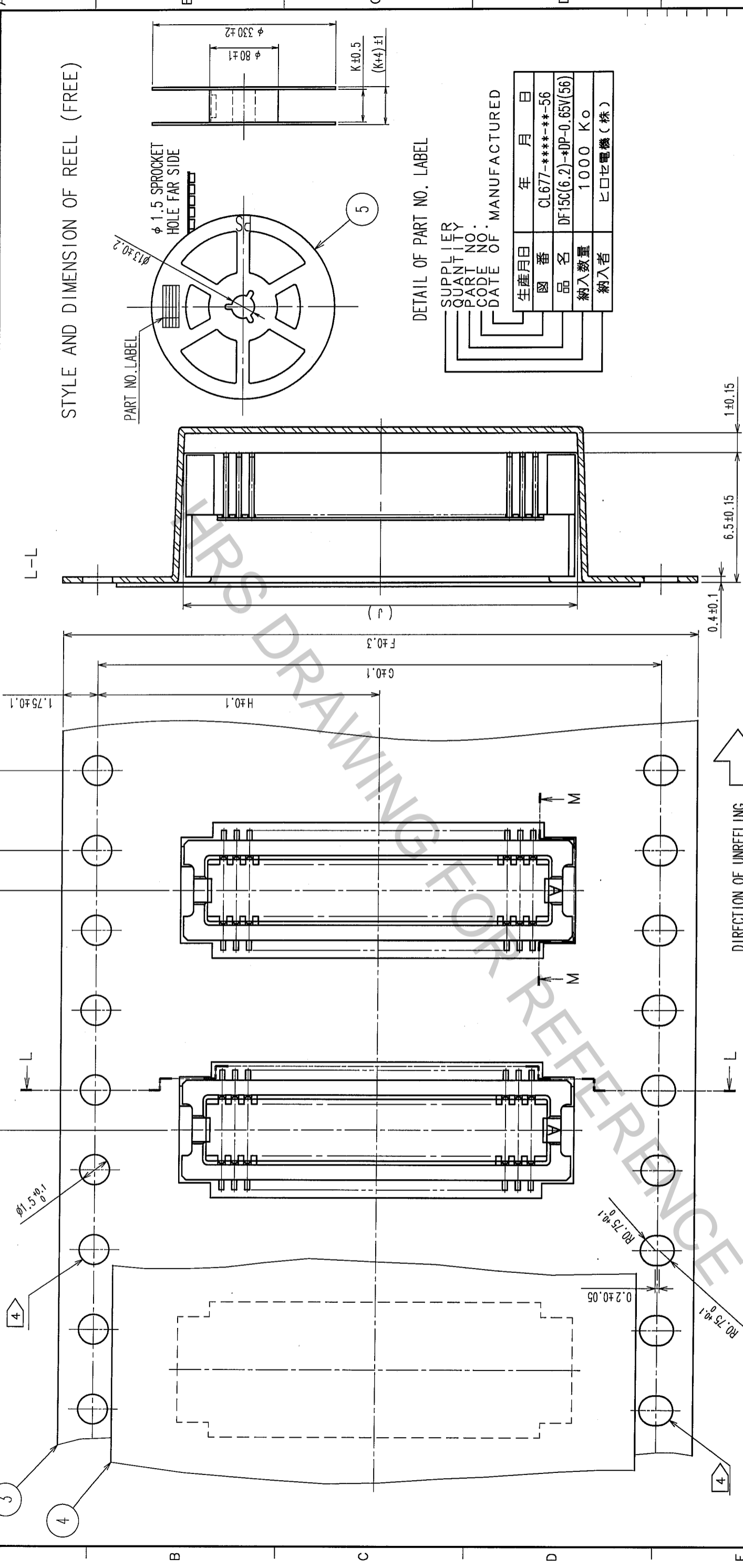


HIROSE ELECTRIC CO., LTD

CL677

1/2

| COUNT | DESCRIPTION OF REVISIONS | BY | CHKD | DATE | COUNT | DESCRIPTION OF REVISIONS | BY | CHKD | DATE |
|-------|--------------------------|----|------|------|-------|--------------------------|----|------|------|
|       |                          |    |      |      |       |                          |    |      |      |
|       |                          |    |      |      |       |                          |    |      |      |



STYLE AND DIMENSION OF REEL (FREE)

DETAIL OF PART NO. LABEL

SUPPLIER  
QUANTITY  
PART NO.  
CODE NO.  
DATE OF MANUFACTURE

|      |                          |
|------|--------------------------|
| 生産月日 | 年月日                      |
| 図番   | CL677-***-56             |
| 品名   | DF15C(6.2)-*DP-0.65V(56) |
| 納入数量 | 1000 Ko                  |
| 納入者  | ヒロセ電機(株)                 |

DIRECTION OF UNREELING  
M-M

- NOTES
- 1 REEL: 1000 CONNECTORS.
  2. AT THE BEGINNING OF THE REEL, 30 COMPONENTS SHALL BE EMPTY.
  3. AT THE END OF THE REEL, 20 COMPONENTS SHALL BE EMPTY.
  4. WHEN THE TAPE WIDTH IS 32mm, SPROCKET HOLES SHALL BE SET ON BOTH SIDES OF REEL AS SHOWN ON THIS DRAWING.
  5. PEEL FORCE REFERS TO JIS C 0806.

| PART NO.                  | CODE NO.        | F    | G    | H    | J     | K    |
|---------------------------|-----------------|------|------|------|-------|------|
| DF15C(6.2)-20DP-0.65V(56) | CL677-0192-8-56 | 16.0 | -    | 7.5  | 10.15 | 17.5 |
| DF15C(6.2)-30DP-0.65V(56) | CL677-0193-0-56 | 24.0 | -    | 11.5 | 13.4  | 25.5 |
| DF15C(6.2)-40DP-0.65V(56) | CL677-0194-3-56 | 24.0 | -    | 11.5 | 16.65 | 25.5 |
| DF15C(6.2)-50DP-0.65V(56) | CL677-0195-6-56 | 32.0 | 28.4 | 14.2 | 19.9  | 33.5 |

|                |                          |                    |                    |                    |
|----------------|--------------------------|--------------------|--------------------|--------------------|
| CODE NO. (OLD) | DESIGNED                 | CHECKED            | APPROVED           | RELEASED           |
|                | <i>A. Macdonald</i>      | <i>J. Michioka</i> | <i>T. Miyagaki</i> | <i>T. Nakamura</i> |
| SCALE          | PART NO.                 |                    |                    |                    |
| 5 : 1          | DF15C(6.2)-*DP-0.65V(56) |                    |                    |                    |
| UNITS          | CODE NO.                 |                    |                    |                    |
| mm             | CL677                    |                    |                    |                    |