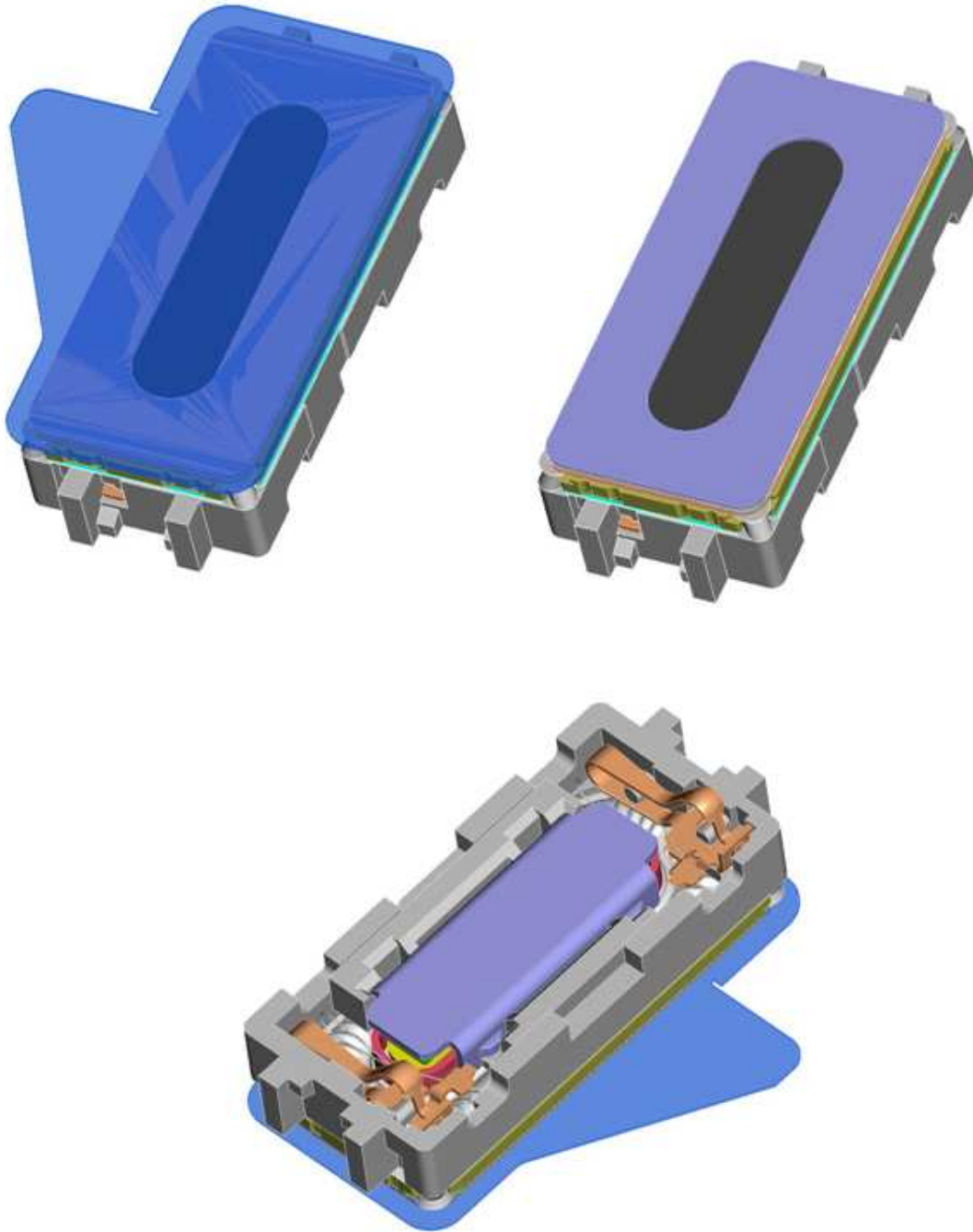


2403 260 00041



## RA RECEIVER 10 X 4.8 X 2 MM WITH MESH

# 2403 260 00041

## Contents

- 1. Theory of operation.....3
- 2. Mechanical Layout and Dimensions .....4
  - 2.1. Main Dimensions .....4
  - 2.2. PWB Layout .....5
  - 2.3. Spring Force .....5
  - 2.4. Force on component.....6
  - 2.5. Part Marking/Labeling.....7
  - 2.6. Material List .....8
- 3. Electrical and Acoustical Specifications .....9
  - 3.1. Frequency response .....9
  - 3.2. Electro-Acoustic Parameters .....10
  - 3.3. Power handling .....10
  - 3.4. Measurement setup .....11
  - 3.5. Measured Parameters .....11
  - 3.6. Measurement adapter .....12
- 4. Environmental Conditions .....13
  - 4.1. Storage .....13
  - 4.2. Transportation .....13
  - 4.3. Functionality .....13
- 5. Environmental tests .....14
  - 5.1. Qualification tests .....14
  - 5.2. Reliability tests .....14
  - 5.3. Sample Size, Sequence .....14
  - 5.4. Period of Shelf-Life .....14
  - 5.5. Testing Procedures .....14
- 6. Related Documents .....18
- 7. Change History .....19
- 8. Disclaimer .....19



2403 260 00041

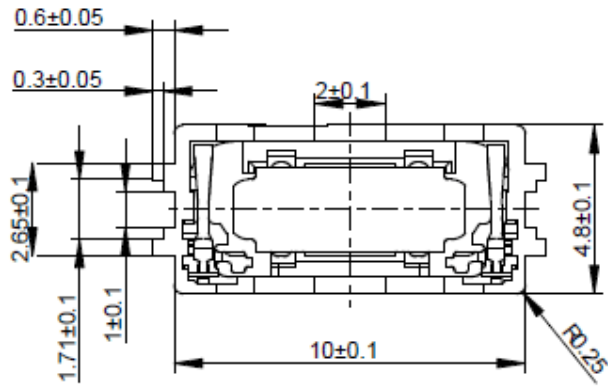
## 1. Theory of operation

Ra Receiver 10 x 4,8 x 2 with mesh is a high end micro size receiver specifically designed for mobile phone and other applications where high quality sound is needed and only very little space for components is available.

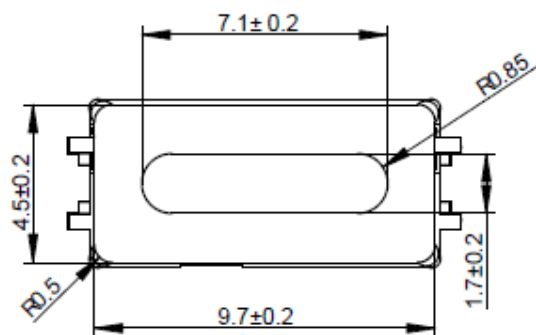
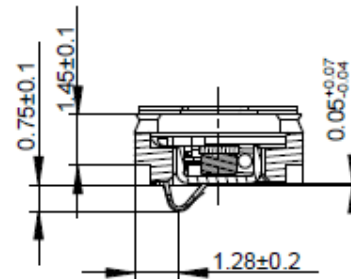
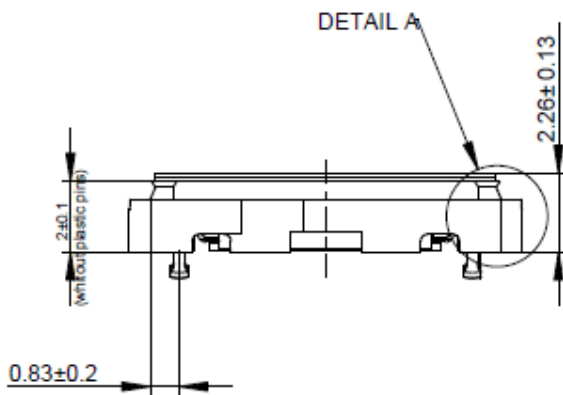
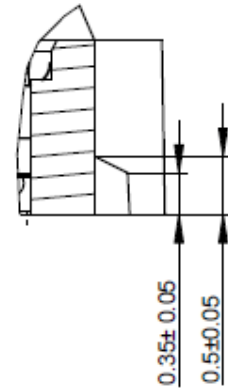
# 2403 260 00041

## 2. Mechanical Layout and Dimensions

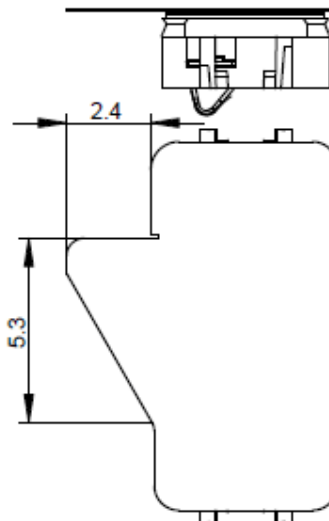
### 2.1. Main Dimensions



DETAIL A  
CROSS SECTION

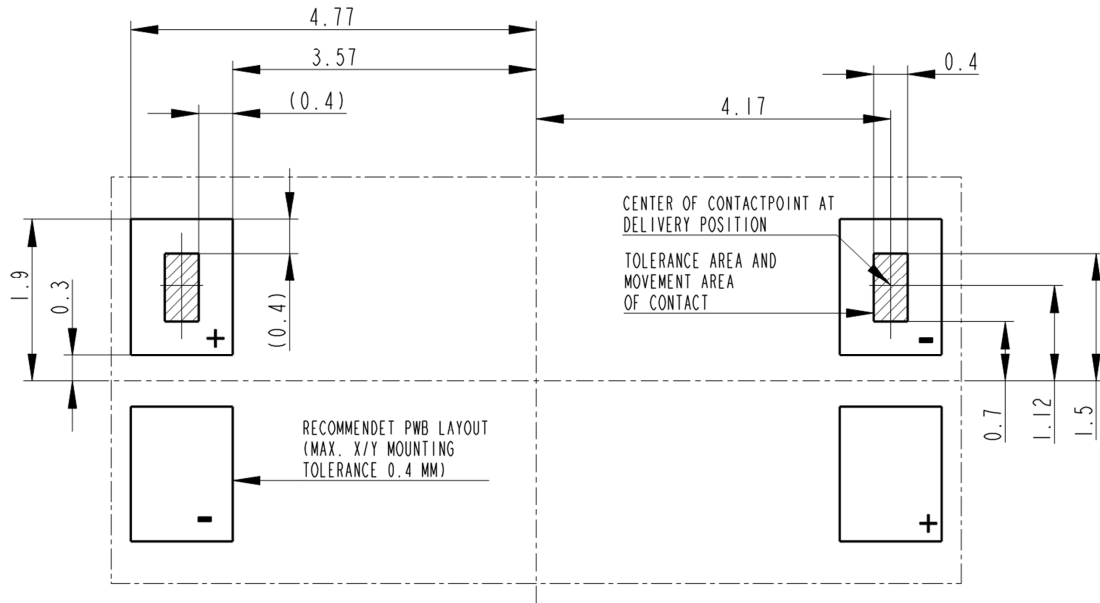


RECEIVER  
WITH PULLTAB

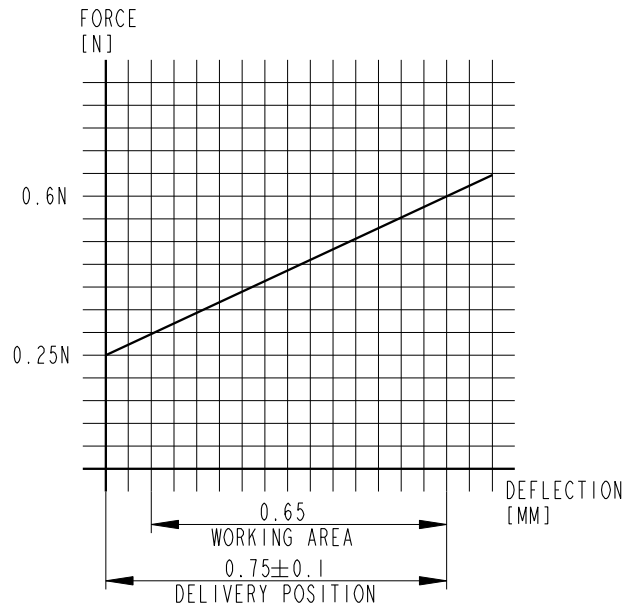


# 2403 260 00041

## 2.2. PWB Layout

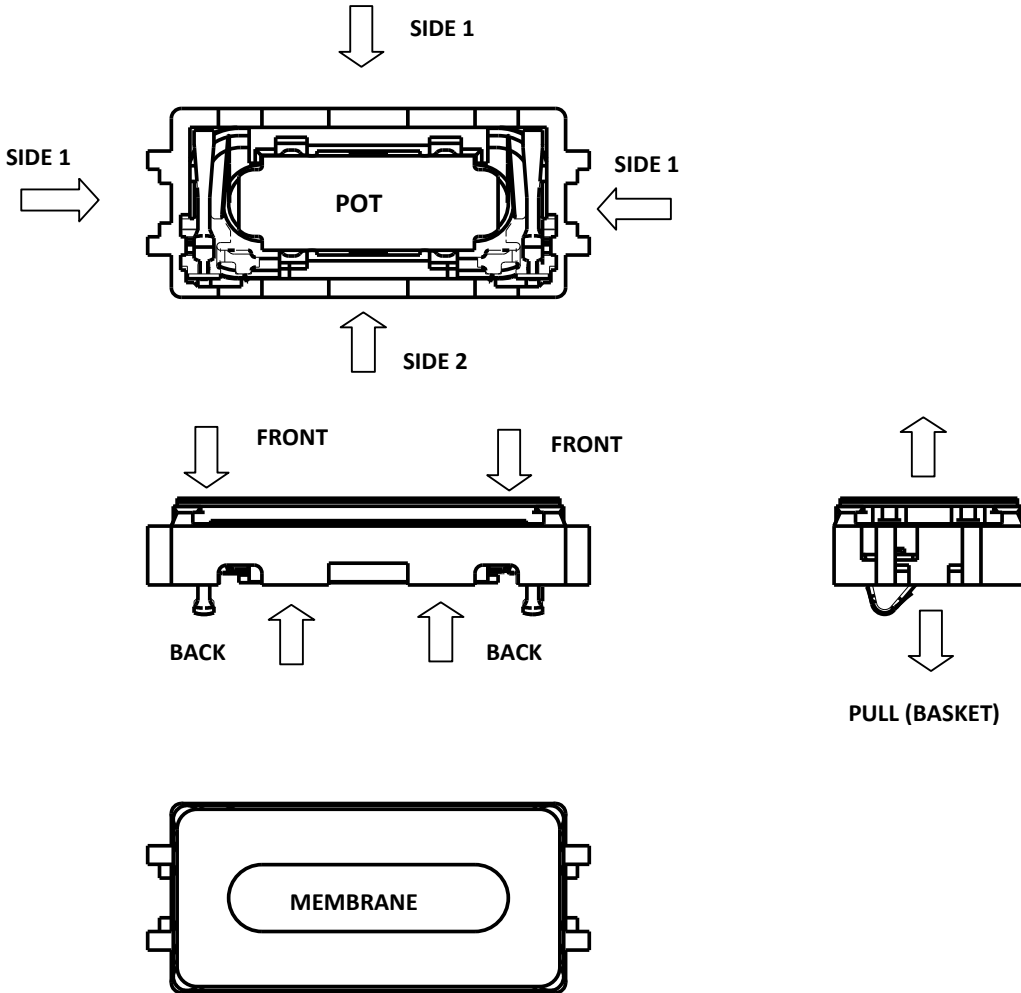


## 2.3. Spring Force



# 2403 260 00041

## 2.4. Force on component

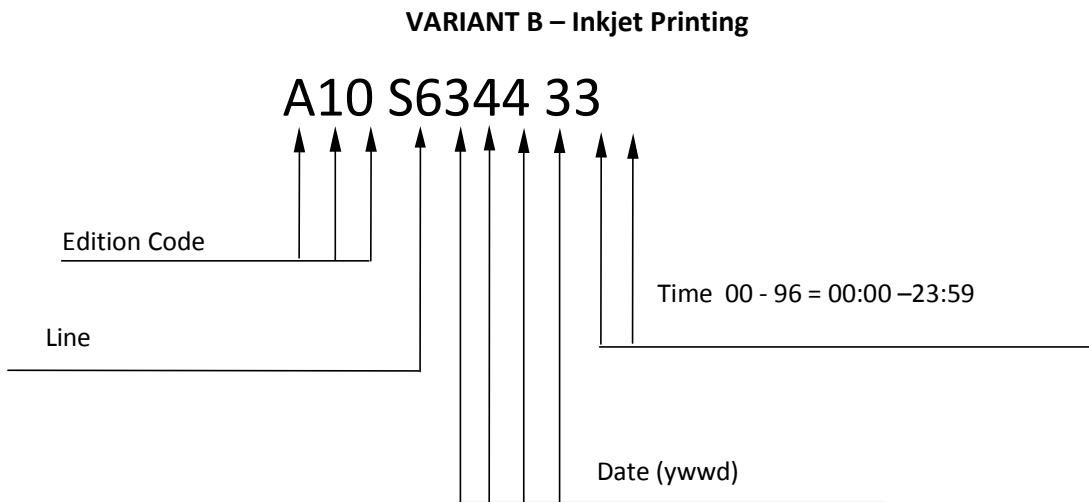
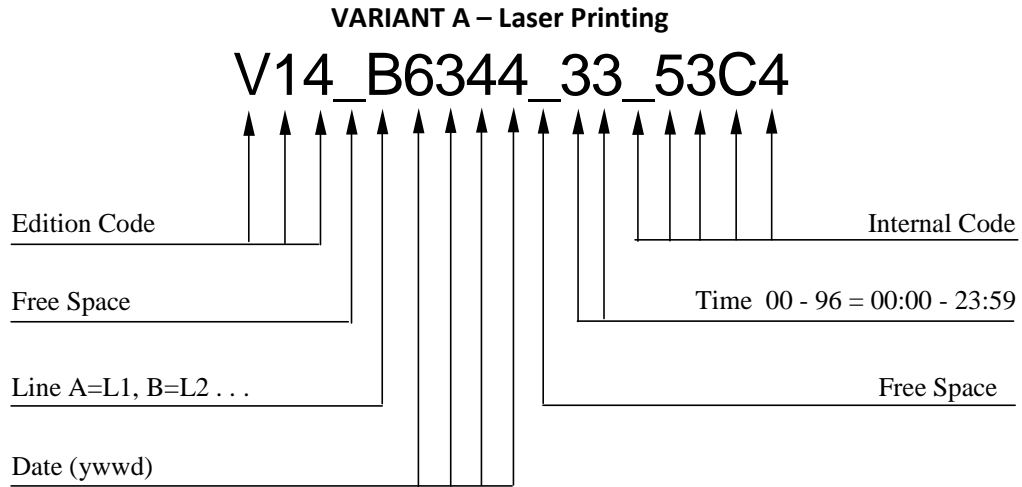


FORCES ON DIFFERENT STATE OF COMPONENT			
STATE	MIN. SURFACE OF PRESSURE [mm <sup>2</sup> ]	MAX PERMANENT FORCE [N]	MAX HANDLING FORCE [N]
FROM FRONT TO BACK	-	5	15
FROM SIDE 1 TO SIDE 1	3	5	15
FROM SIDE 2 TO SIDE 2	10	5	15
POT	-	0	0
MEMBRANE	-	0	0
PULL OF FORCE (ADHESIVE/BASKET)	-	0.15	5



## 2.5. Part Marking/Labeling

The samples have a serial number on bottom (pot) side



2403 260 00041

## 2.6. Material List

- |                          |                                 |
|--------------------------|---------------------------------|
| 1. MATERIAL of BASKET:   | Polycarbonat (Halogen free)     |
| 2. MATERIAL of MEMBRANE: | Polyarylat-Compound             |
| 3. MATERIAL of POT:      | soft magnetic iron              |
| 4. MATERIAL of MAGNET:   | Nd Fe B                         |
| 5. MATERIAL of CONTACT   | CrNi Steel gold plated          |
| 6. MATERIAL of COVER:    | CuZn                            |
| 7. FRONT ADHESIVE :      | Acrylic                         |
| 8. DIMENSION:            | 10x4,8x2                        |
| 9. MASS:                 | 0,2 g                           |
| 10. STAMP                | numbered by production sequence |

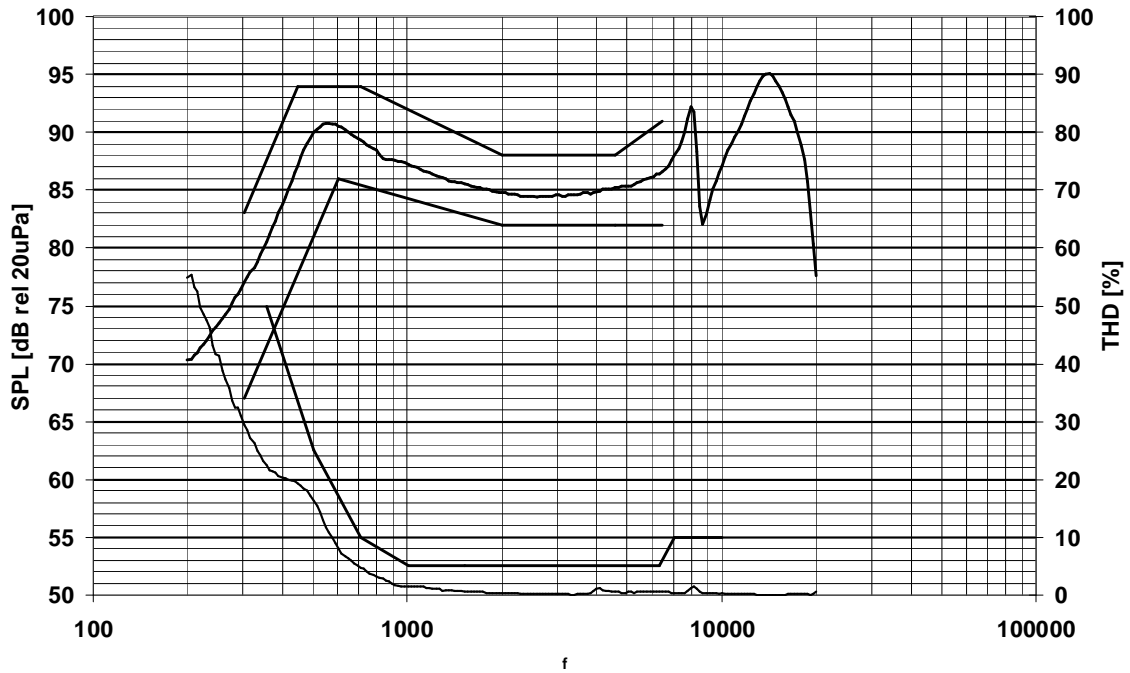


# 2403 260 00041

## 3. Electrical and Acoustical Specifications

### 3.1. Frequency response

TYPICAL FREQUENCY RESPONSE measured on Baffle according to Chapter 3.4 : distance d = 1cm, p= 10 mW, open back)



Tolerance window				
f Hz	lower limit [db SPL]	upper limit [db SPL]	f Hz	upper limit [%THD]
300	67	83	350	50
450	-	94	500	25
600	86	94	700	10
700	-	94	1000	5
2000	82	88	6000	5
4500	82	88	7000	10
6500	82	91	10000	10

# 2403 260 00041

## 3.2. Electro-Acoustic Parameters

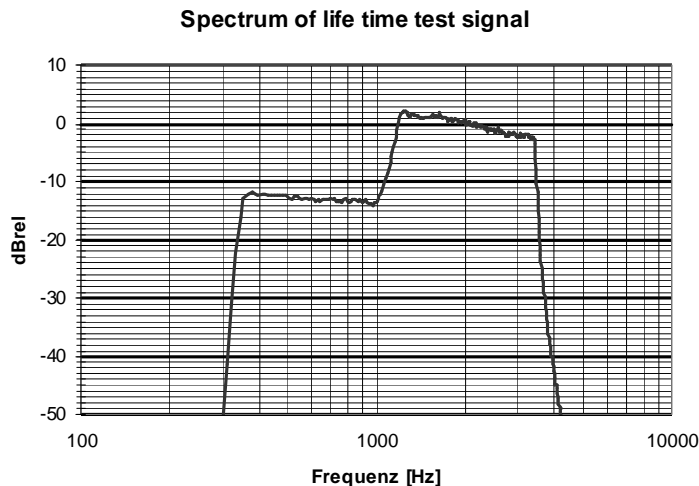
### LOUDSPEAKER MOUNTED IN ADAPTER ACC. TO SHEET 190-6.1

1. RATED IMPEDANCE	Z:	32 Ω
2. VOICE COIL RESISTANCE	R:	28.8 Ω ± 10 %
3. RESONANCE FREQUENCY (measured @1mW)	f <sub>0</sub> :	520 Hz ± 15 %
4. MAXIMUM useable EXCURSION	X <sub>max</sub> :	0.40 mm p-p
5. NOMINAL CHARACT. SENSITIVITY (calculated for 1W in 1m ) average from 2kHz to 4kHz		65 ± 2 dB
5.1. MEASURED CHARACT. SENSITIVITY (at 10mW in 1cm ) average from 2kHz to 4kHz		85 ± 2 dB
6. FREQUENCY RANGE IN TELECOM APPLICATION		300 - 3,4 kHz
7. THD		according to Sheet 190 - 4
8. RUB & BUZZ		< 60 dB SPL (300 Hz .. 1500Hz) in 1cm at 5mW (400mV <sub>eff</sub> )

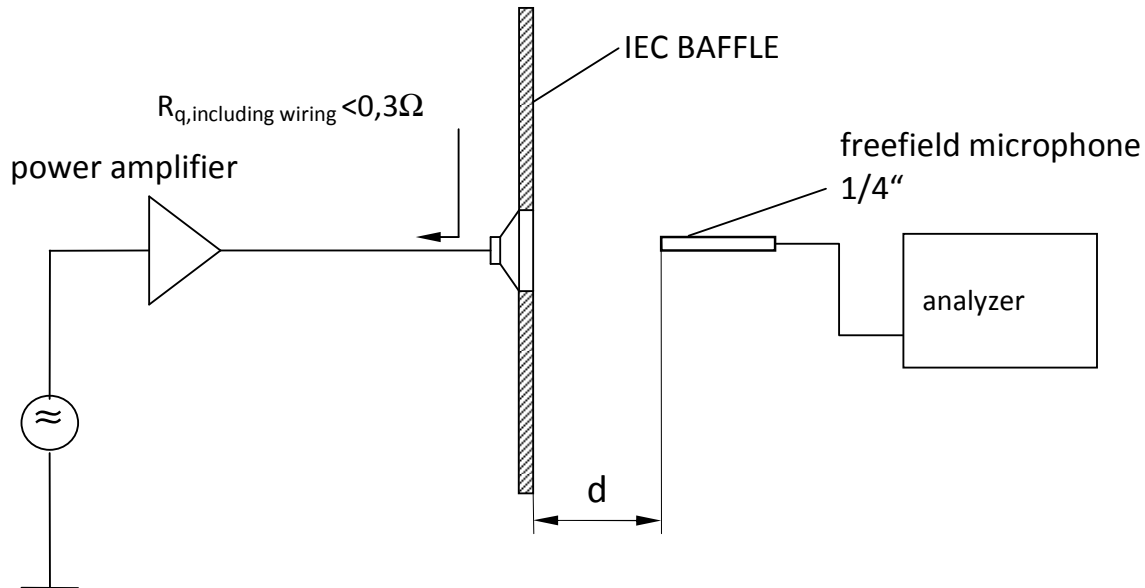
## 3.3. Power handling

### RECEIVER MOUNTED IN LIFETIME TEST DEVICE ( OPEN REAR / OPEN FRONT ) *(pink noise shaped according to diagram below, Crestfaktor 2)*

- 1. MAX.SHORT TERM POWER (0,5sec. ON / 3sec. OFF)                      75 mW (RMS)
- 2. MAX. CONTINUOUS POWER (500h)    40 mW (RMS)



### 3.4. Measurement setup



### 3.5. Measured Parameters

#### 3.5.1. Sensitivity

SPL is expressed in dB rel  $20\mu\text{Pa}$ , computed according to IEC 268-5.

Measurement set up and parameters according chapter 3.4.

This test is performed for 100% of products in the production line.

#### 3.5.2. Frequency response

Frequency response is measured according test set up in chapter 3.4 data sheet and checked against the tolerance window defined in chapter 3.1. This Test is performed for 100% of products in the production line.

#### 3.5.3. Total harmonic distortion (THD)

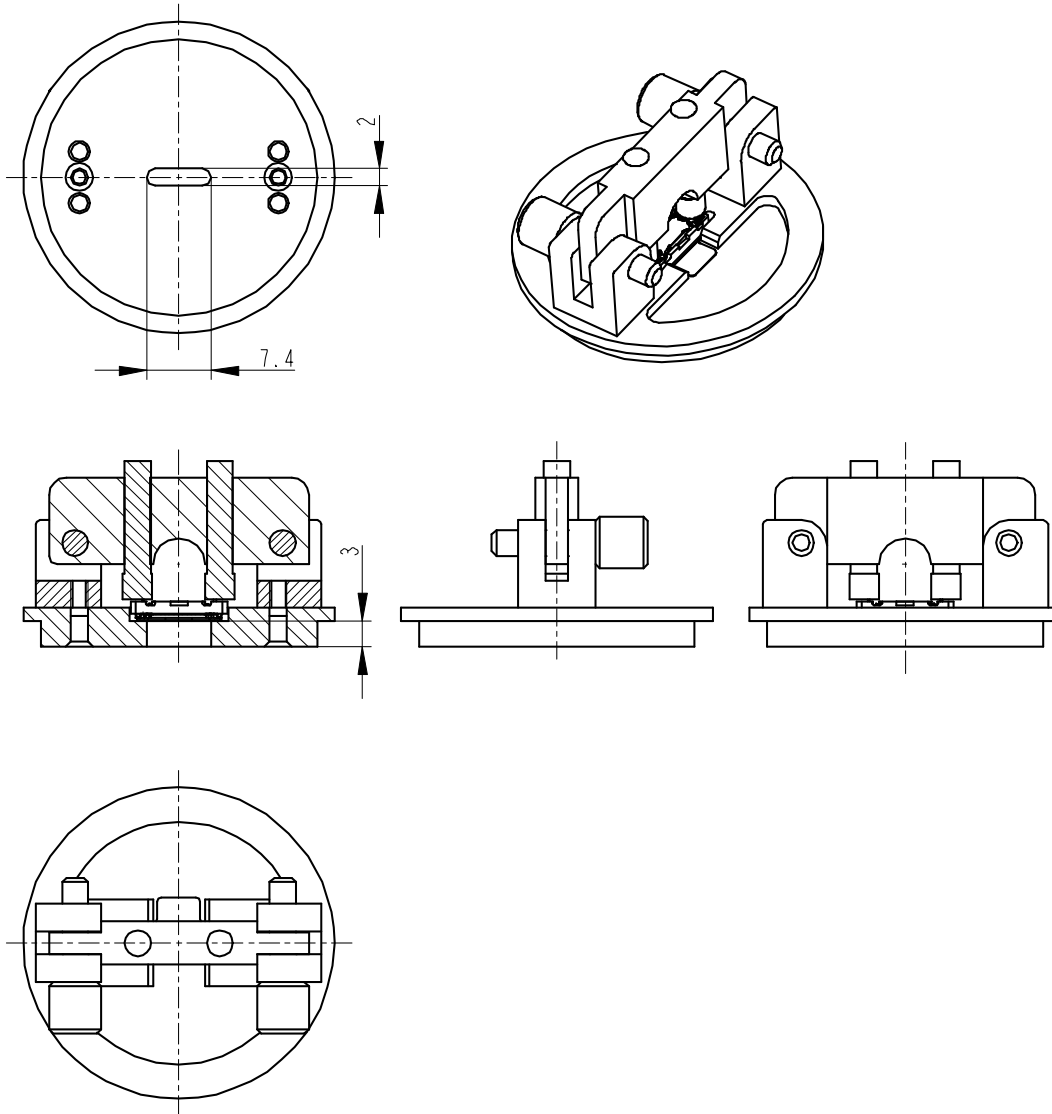
Is measured according IEC 268-5 (2nd to 5th harmonics) and test set up in chapter 3.4. This test is performed for 100% of products in the production line.

#### 3.5.4. Rub & Buzz

Rub & Buzz will be measured in the Inline-measuring device with a sinusoidal sweep. Rub & Buzz is defined as the maximum level of no harmonic energy, expressed as signal to non-harmonic content ratio, in a certain frequency-range. Signal and evaluation criteria are according to chapter 3.1. This test is performed for 100% of products in the production line.

2403 260 00041

3.6. Measurement adapter



2403 260 00041

## 4. Environmental Conditions

### 4.1. Storage

The transducer fulfils the specified data after treatment according to the conditions of

**ETS 300 019-2-1**      Specification of environmental test: Storage  
Test spec. T 1.2: Weather protected, not temperature controlled storage locations.

### 4.2. Transportation

The transducer fulfils the specified data after treatment according to the conditions of

**ETS 300 019-2-2**      Specification of environmental test: Transportation  
Test Spec. T 2.3: Public Transportation

### 4.3. Functionality

The transducer fulfils the specified data after treatment according to the conditions of

**ETS 300 019-2-5**      Specification of environmental test: Ground vehicle installations  
Test spec. T 5.1: Protected installation

**ETS 300 019-2-7**      Specification of environmental test: Portable and non-stationary use  
Test spec. T 7.3E: Partly weather protected and non-weather protected locations.

## 5. Environmental tests

### 5.1. Qualification tests

According to our milestone plan (Product Creation Process), a complete qualification test will be done at design validation of products manufactured under serial conditions.

1x per year and product family a requalification takes place. The qualification process covers all tests described under 5.5 and a complete inspection.

### 5.2. Reliability tests

1x per month and product family samples are taken and submitted to tests described under 5.5.2

### 5.3. Sample Size, Sequence

Unless otherwise stated 20 arbitrary new samples will be used to perform each test for both, qualification and requalification test as described under 5.1 and 5.2.

### 5.4. Period of Shelf-Life

The period of shelf-life is 5 years.

### 5.5. Testing Procedures

#### 5.5.1. Storage Tests

##### 5.5.1.1. Low Temperature Storage Test

Parameter	Test Method and Conditions	Duration	Evaluation Standard
Low Temperature Storage (Ref. EN 60068-2-1)	-40°C rel. humidity not controlled	168h	Measurements after 2 hours recovery time. All samples fully operable. All acoustical parameters according specification with tolerances increased by 50 %.

##### 5.5.1.2. High Temperature Storage Test

Parameter	Test Method and Conditions	Duration	Evaluation Standard
Dry Heat Storage (Ref. EN 60068-2-2)	+85°C rel. humidity not controlled	168h	Measurements after 2 hours recovery time. All samples fully operable. All acoustical parameters according specification with tolerances increased by 50 %.

# 2403 260 00041

### 5.5.1.3. Temperature Cycle Test

Parameter	Test Method and Conditions	Duration	Evaluation Standard
Change of Temperature (Ref. EN 60068-2-14)	-40°C/+85°C Transition time <3 min. See Figure 5-1 below	5 cycles >2h for each temperature	Measurements after 2 hours recovery time. All samples fully operable. All acoustical parameters according specification with tolerances increased by 50 %.

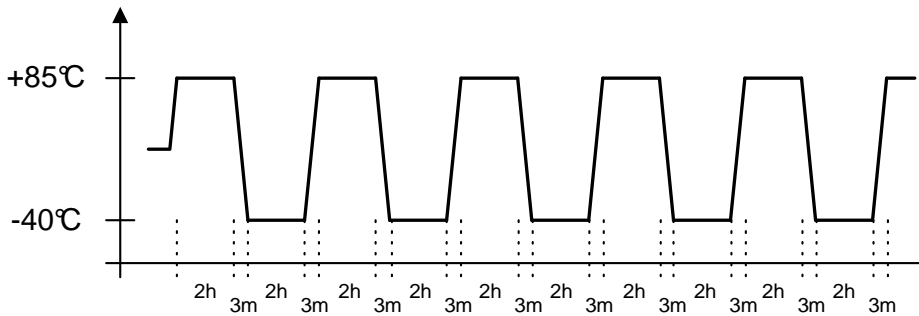


Figure 5-1: Temperature Cycle Test

### 5.5.1.4. Temperature / Humidity Cycle Test

Parameter	Test Method and Conditions	Duration	Evaluation Standard
Damp heat, cyclic (Ref. IEC 60068-2-30)	+25°C/+55°C 90% to 95% RH. Temp. change time <3h See Figure 5-2 below <u>Caution:</u> no condensed water on products!	6 cycles. 24h at each temperature	Measurements after 2 hours recovery time. All samples fully operable. All acoustical parameters according specification with tolerances increased by 50 %.

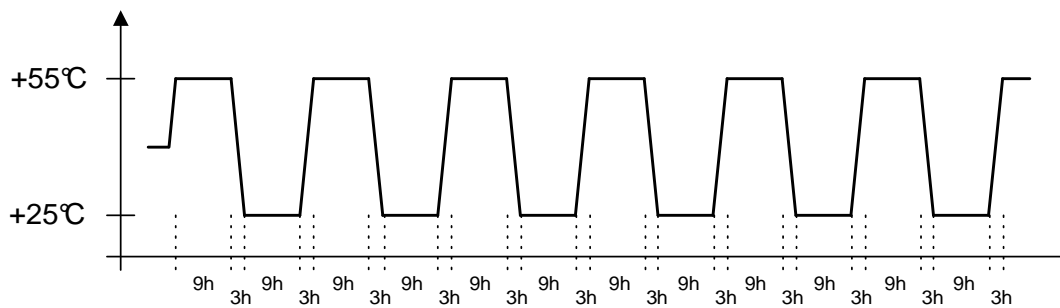


Figure 5-2: Temperature / Relative Humidity Cycle Test

2403 260 00041

**5.5.2. Operating Tests**

**5.5.2.1. Cold Operation Test**

Parameter	Test Method and Conditions	Duration	Evaluation Standard
Cold Operation Test (Ref. EN 60068-2-1)	-20°C rel. humidity not controlled signal acc. Chapter 3.3	72h	Measurements after 2 hours recovery time. All samples fully operable. THD may be increased after test. All other acoustical parameters according specification with tolerances increased by 50 %.

**5.5.2.2. Dry Heat Operation Test**

Parameter	Test Method and Conditions	Duration	Evaluation Standard
Dry Heat Operation (Ref. EN 60068-2-2)	+70°C rel. humidity not controlled signal acc. Chapter 3.3	500h	Measurements after 2 hours recovery time. All samples fully operable. The allowable change in sensitivity shall not be greater than 3 dB. All other acoustical parameters according specification with tolerances increased by 50 %.

**5.5.3. Salt Mist Test**

Parameter	Test Method and Conditions	Duration	Evaluation Standard
Salt Mist (Ref. IEC60068-2-52, Kb / Severity 2)	The part must be subjected to 2 hours spray of 5% NaCl salt mist, at 35°C then be left at 40°C and 95% RH for 22h.	3 cycles	The samples shall be washed after the test with distilled water and dried at T< 50°C. Component may have reduced performance, but must still function properly. The allowable sensitivity difference shall not be greater than ±3dB from initial sensitivity.



### 5.5.4. Shock Resistance Test (Free Fall Test) - unprotected product

Parameter	Test Method and Conditions	Conditions / Sample size	Evaluation Standard
Mechanical shock (Ref. IEC60068-2-32 Ed), Procedure 1	Drop of sample without fixation of release plane from a height of 1.5m onto concrete floor.	Each 3 shocks in both directions of the 3 axes.  (18 drops in total)	Component may have reduced performance, but must still function properly. The allowable sensitivity difference shall not be greater than $\pm 3$ dB from initial sensitivity.

### 5.5.5. Impact Durability Test (Tumble Test) – protected product

Parameter	Test Method and Conditions	Conditions / Sample size	Evaluation Standard
Impact durability (in a Tumble Tester) (Ref. IEC60068-2-32 Ed) (SPR a7.1.1)	Speaker <i>in drop test box</i> or representative mechanics. Random drops on steel base.	30 units 180 drops, 1m DUT power off	Component may have reduced performance, but must still function properly. The allowable sensitivity difference shall not be greater than $\pm 3$ dB from initial sensitivity.

### 5.5.6. Resistance to Electrostatic Discharge

Parameter	Test Method and Conditions	Conditions / Sample size	Evaluation Standard
Resistance to ESD IEC61000-4-2 Level 4 (SPR c 2.5.1)	One pole is grounded and the ESD pulse is applied to the other pole. The speaker must be stressed first with one polarisation and then with the other polarisation. DUT must be discharged between each ESD exposure.  Level 4: contact +/- 8kV, air +/- 15kV	10 exposures on each polarity / 5 units  DUT Power off	All samples fully operable.  All acoustical parameters according specification with tolerances increased by 50%.

2403 260 00041

## 6. Related Documents

<b>IEC 268-5</b>	Sound System equipment Part 5: Loudspeaker
<b>IEC 68-2</b>	Environmental testing
<b>EN 60068-2</b>	Environmental testing
<b>ISO 2859 - 1</b>	Sampling procedures for inspection by attributes Part 1: Sampling plans indexed by acceptable quality level (AQL) for lot-by-lot inspection
<b>ISO 3951</b>	Sampling procedures and charts for inspection by variables for percent defectives.
<b>ETS 300 019-2-1</b>	Specification of environmental test: Storage Test spec. T 1.2: Weather protected, not temperature controlled storage locations
<b>ETS 300 019-2-2</b>	Specification of environmental test: Transportation Test spec. T 2.3: Public Transportation
<b>ETS 300 019-2-5</b>	Specification of environmental test: Ground vehicle installations Test spec. T 5.1: Protected installation
<b>ETS 300 019-2-7</b>	Specification of environmental test: Portable and non-stationary use Test spec. T 7.3E: Partly weather protected and non-weather protected locations

2403 260 00041

## 7. Change History

Status	Version	Date	ECR	Comment / Changes	Initials of owner
Obsolete	A	18.12.07	2333	First release	BU
Obsolete	B	17.07.08	1957	Halogen free basket	CP
Obsolete	C	07.04.09	2435	Update legal disclaimer and printing methods	CP
Obsolete	D	06.04.10	2802	Update legal disclaimer and logo	CP
Release	E	07.06.11	3189	Introduction 5 layer gasket/Migration NXP to Knowles template	SA/CP

## 8. Disclaimer

Stresses above the Absolute Maximum Ratings may cause permanent damage to the device. These are stress ratings only. The device may not function when operated at these or any other conditions beyond those indicated under “Electrical and Acoustical Specifications”. Exposure beyond those indicated under “Electrical and Acoustical Specifications” for extended periods may affect device reliability.

This product is not qualified for use in automotive applications

Frequency range in telecom application:  
300 Hz – 3,4 kHz

The information contained in this literature is based on our experience to date and is believed to be reliable and it is subject to change without notice. It is intended as a guide for use by persons having technical skill at their own discretion and risk. We do not guarantee favorable results or assume any liability in connection with its use. Dimensions contained herein are for reference purposes only. For specific dimensional requirements consult factory. This publication is not to be taken as a license to operate under, or recommendation to infringe any exiting patents. This supersedes and voids all previous literature.

