

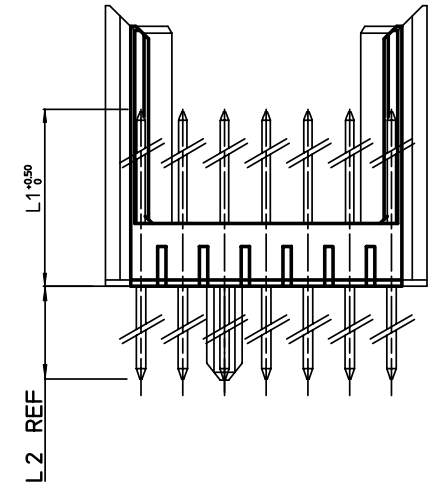
GEN. ST.	01	02	03	04	05	06	07	08	0D	50	60	70	80	90																	
INT. ST.	10	11	12	13	14	18	20	31	32	33	34	38	39	40	42	43	44	45	46	48	56	70	72	73	75	76	81	82	83	84	88

REV.	DATE	DESCRIPTION	BY	C'K'D'
A	2001-09-14	CONVERSION REVISION 01	KN	
B	2003-03-06	106-0026	ALEX B	BKP
C	2006-08-03	106-0119	VIVEK	BKP

MILLIPACS 2

SPECIAL LOADING PATTERNS: LEVEL INFO

- 0 = EMPTY LOCATION
- 1 = MATING LEVEL 1 (L1 = 8.2 MM / L2 = 4.5 REF / SHORT CONTACT)
- 2 = MATING LEVEL 2 (L1 = 9.7 MM / L2 = 4.5 REF / SHORT CONTACT)
- 3 = MATING LEVEL 3 (L1 = 11.2 MM / L2 = 4.5 REF / SHORT CONTACT)
- 4 = MATING LEVEL 1 (L1 = 8.2 MM / L2 = 3.7 REF / SHORT CONTACT)
- 5 = MATING LEVEL 2 (L1 = 9.7 MM / L2 = 3.7 REF / SHORT CONTACT)
- 6 = MATING LEVEL 3 (L1 = 11.2 MM / L2 = 3.7 REF / SHORT CONTACT)
- 7 = MATING LEVEL 1 / REAR SIDE LEVEL 1 (L1 = 8.2 MM / L2 = 13.0 REF / REAR PLUG-UP CONTACT)
- 8 = MATING LEVEL 1 / REAR SIDE LEVEL 2 (L1 = 8.2 MM / L2 = 14.5 REF / REAR PLUG-UP CONTACT)
- 9 = MATING LEVEL 1 / REAR SIDE LEVEL 3 (L1 = 8.2 MM / L2 = 16.0 REF / REAR PLUG-UP CONTACT)
- A = MATING LEVEL 2 / REAR SIDE LEVEL 1 (L1 = 9.7 MM / L2 = 13.0 REF / REAR PLUG-UP CONTACT)
- E = MATING LEVEL 2 / REAR SIDE LEVEL 2 (L1 = 9.7 MM / L2 = 14.5 REF / REAR PLUG-UP CONTACT)
- F = MATING LEVEL 2 / REAR SIDE LEVEL 3 (L1 = 9.7 MM / L2 = 16.0 REF / REAR PLUG-UP CONTACT)
- G = MATING LEVEL 3 / REAR SIDE LEVEL 1 (L1 = 11.2 MM / L2 = 13.0 REF / REAR PLUG-UP CONTACT)
- H = MATING LEVEL 3 / REAR SIDE LEVEL 2 (L1 = 11.2 MM / L2 = 14.5 REF / REAR PLUG-UP CONTACT)
- K = MATING LEVEL 3 / REAR SIDE LEVEL 3 (L1 = 11.2 MM / L2 = 16.0 REF / REAR PLUG-UP CONTACT)
- L = MATING LEVEL 1 (L1 = 8.2 MM / L2 = 13.0 REF / WIRE WRAP CONTACT)
- M = MATING LEVEL 2 (L1 = 9.7 MM / L2 = 13.0 REF / WIRE WRAP CONTACT)
- N = MATING LEVEL 3 (L1 = 11.2 MM / L2 = 13.0 REF / WIRE WRAP CONTACT)
- W = MATING LEVEL 1 (L1 = 8.2 MM / L2 = 2.1 REF / SHORT CONTACT)
- Y = MATING LEVEL 2 (L1 = 9.7 MM / L2 = 2.1 REF / SHORT CONTACT)
- Z = MATING LEVEL 3 (L1 = 11.2 MM / L2 = 2.1 REF / SHORT CONTACT)



NOTES

1. THIS PRODUCT IS CSA APPROVED.
2. THIS PRODUCT IS UL RECOGNIZED.

1DEC ±0.2 2DEC ±0.1 ANGLES ±1°	APPR. DRAFT	DATE 1994-09-05	SIGN. W.Panis	MILLIPACS 2 / CONTACT LEVEL OVERVIEW	
	CHECKED	CAT. No. HM2P--P-----			SCALE
	WE RESERVE THE RIGHT TO CHANGE DIMENSIONS OR REQUIREMENTS WITHOUT PRIOR NOTICE.	PROD. MGR.	FCI www.fciconnect.com		DRAWING No.
ALL DIMENSIONS IN MM	PR. ENG. MGR.	REFERENCES		CUSTOMER DRAWING	REVISION
	BS,C ,201844,001			C	

THIS IS OUR EXCLUSIVE PROPERTY. IT IS NOT TO BE COPIED, REPRINTED OR DISCLOSED TO A THIRD PARTY. NOR USED FOR MANUFACTURING WITHOUT OUR WRITTEN CONSENT, AND HAS TO BE RETURNED TO US IN CASE OF NO USAGE

DIT IS ONZE EIGENDOM EN MAG NIET HEGENMAAKT, HERDRUKT, OVERGEHAAKT AAN DERDEN, NOCH VOOR FABRIKATIE GEBRUIKT WORDEN, ZONDER ONZE SCHRIFTELIJKE TOELATING. BIJ NIET GEBRUIK IS TERUGZENDING VERPLICHT.