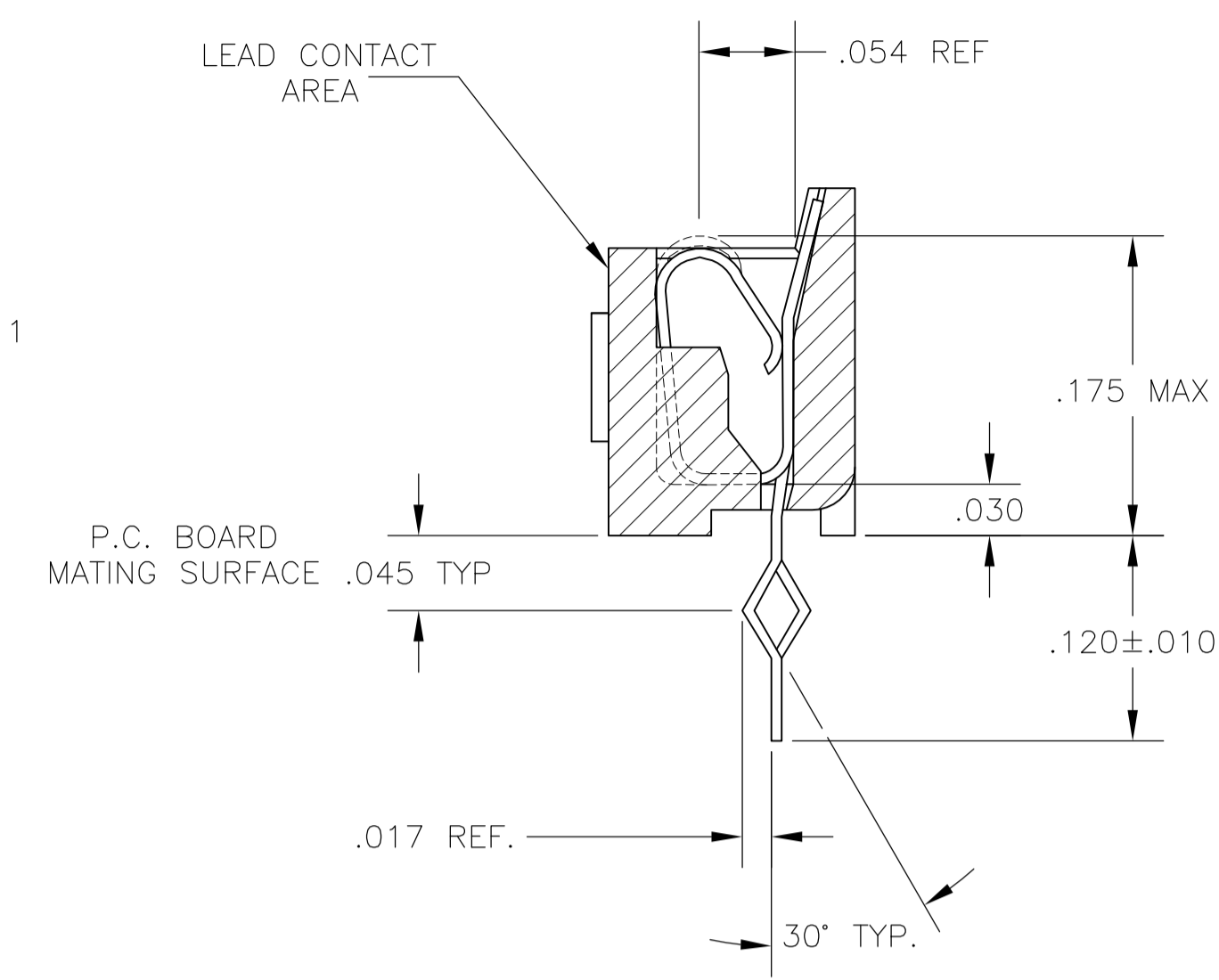
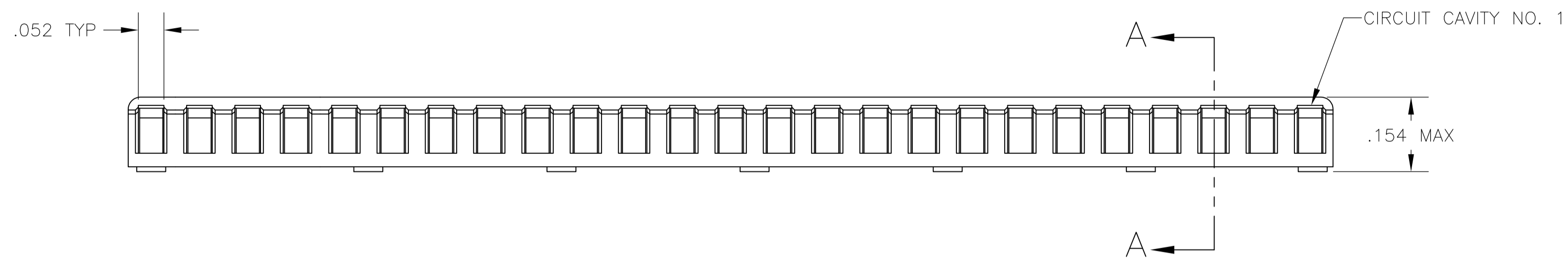
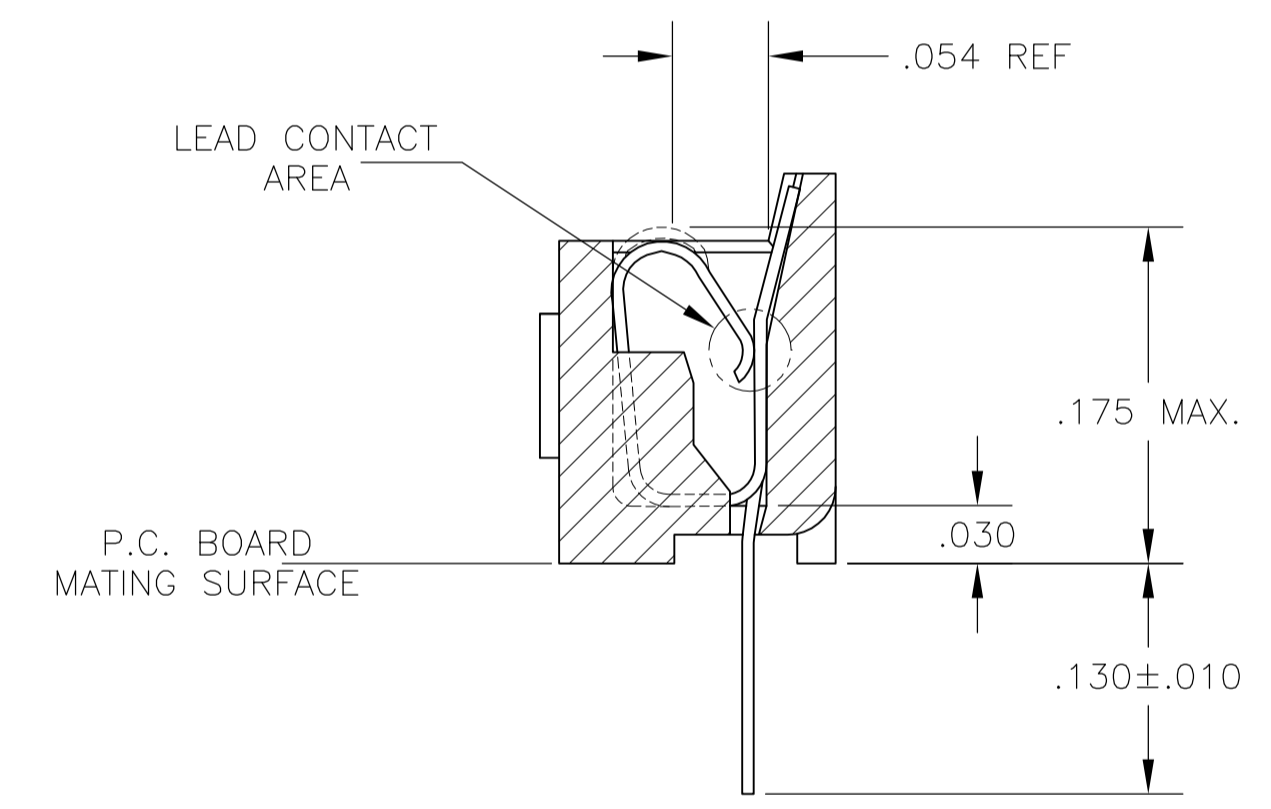
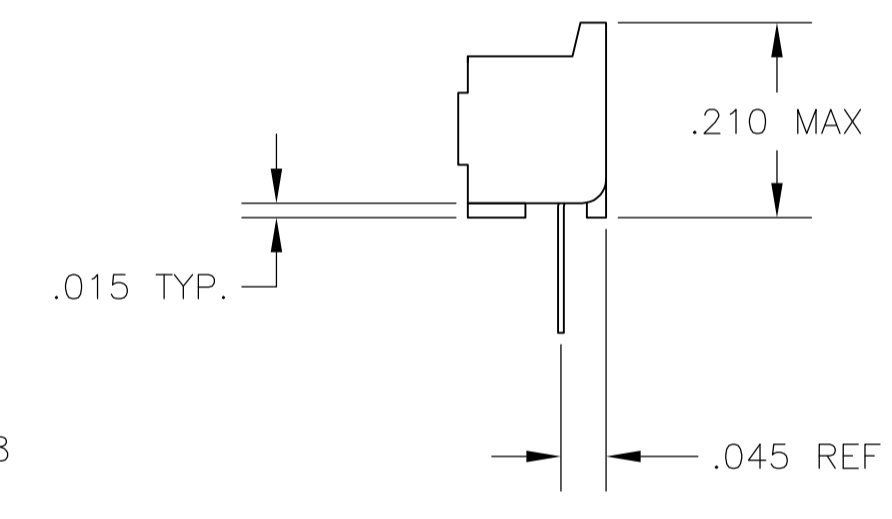


LOC		DIST		REVISIONS			
AD	00	REV	PER	DESCRIPTION	DATE	BY	APPV
L		REV PER	OG3C-0104-01		04SEP01	RB	JO
L1		REVISED PER	ECO-09-021510		14SEP09	KK	AEG

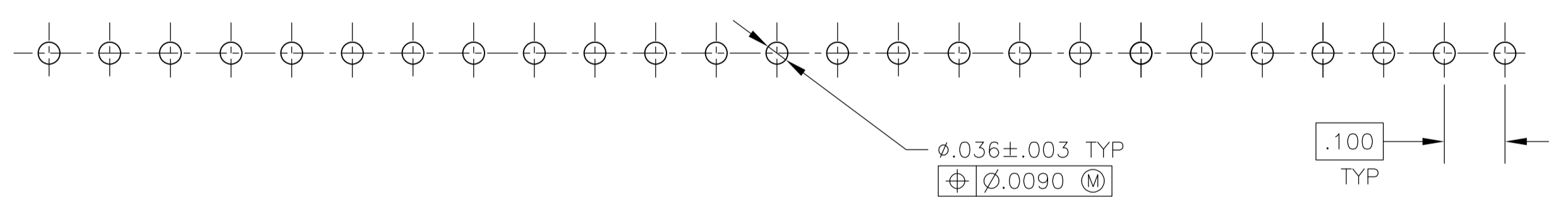
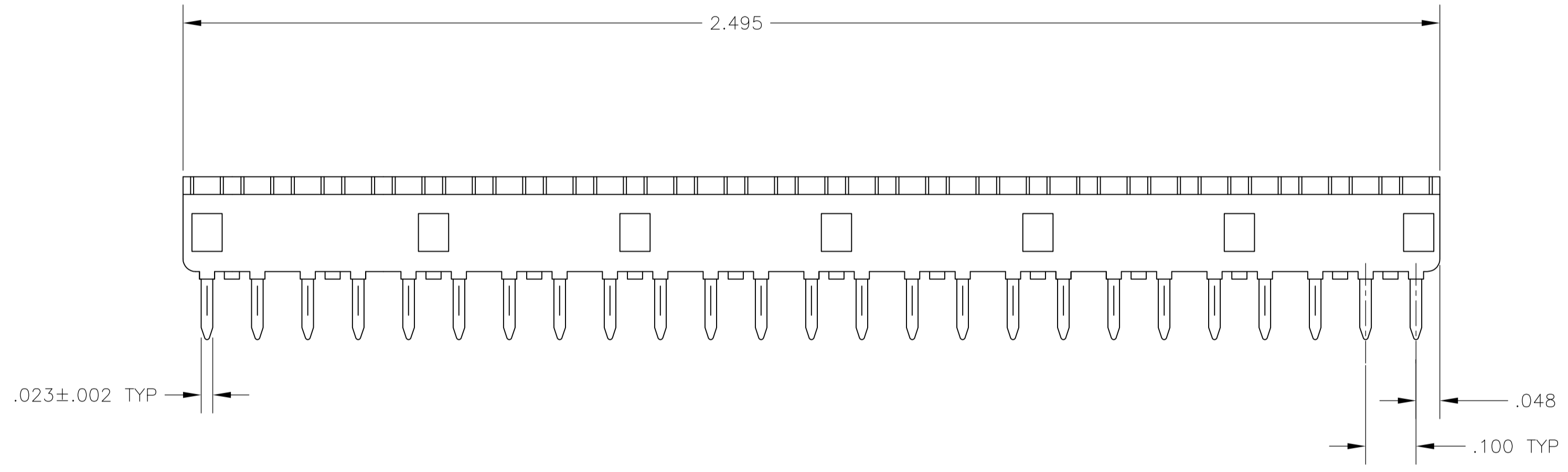
1. RECEPTACLE ACCEPTS AN .008-.014 THK. I.C. LEAD.
2. TWO .000030 MIN. THK. GOLD STRIPES IN CONTACT AREA, TIN-LEAD(93-7) ON CONTACT LEGS, BALANCE OF CONTACT NICKEL PLATED.
3. TWO .000015 MIN. THK. GOLD STRIPES IN CONTACT AREA, TIN-LEAD(93-7) ON CONTACT LEGS, BALANCE OF CONTACT NICKEL PLATED.
4. TUBE LOADED.
5. OBSOLETE PARTS: OBSOLETE CIS STREAMLINING PER D.RENAUD/D.SINISI



SECTION A-A
 ROTATED 90° CW
 SCALE 10:1
 FOR 6, 7 & 8 ONLY



SECTION A-A
 ROTATED 90° CW
 SCALE 10:1
 FOR 1, 2 & 3 ONLY



RECOMMENDED MOUNTING HOLE PATTERN

OBSOLETE 4	TINNED	PHOS.BRZ.	GLASS-FILLED THERMOPLASTIC, 94V-O, BLACK	2-643657-3
OBSOLETE	TINNED	PHOS.BRZ.	GLASS-FILLED THERMOPLASTIC, 94V-O, BLACK	643657-8
OBSOLETE	TINNED	BE.CU.	GLASS-FILLED THERMOPLASTIC, 94V-O, BLACK	643657-7
OBSOLETE	TINNED	BE.CU.	GLASS-FILLED THERMOPLASTIC, 94V-O, BLACK	643657-6
SUPSD BY 643657-2	TINNED	PHOS.BRZ.	GLASS-FILLED THERMOPLASTIC, 94V-O, BLACK	643657-4
SUPERSEDED BY 643657-1	TINNED	PHOS.BRZ.	GLASS-FILLED THERMOPLASTIC, 94V-O, BLACK	643657-3
	TINNED	BE.CU.	GLASS-FILLED THERMOPLASTIC, 94V-O, BLACK	643657-2
	TINNED	BE.CU.	GLASS-FILLED THERMOPLASTIC, 94V-O, BLACK	643657-1
	CONTACT FINISH	CONTACT MAT'L	HOUSING MATERIAL	PART NO.

THIS DRAWING IS A CONTROLLED DOCUMENT.

DIMENSIONS: INCHES	TOLERANCES UNLESS OTHERWISE SPECIFIED:	DIN 30JUN84	Tyco Electronics Corporation
0 PLC ± -	1 PLC ± -	03JUL84	Harrisburg, Pa 17105-3608
2 PLC ± -	3 PLC ± .005	10JUL84	
4 PLC ± -	ANGLES ± 1'		

PRODUCT SPEC: 108-1066
 APPLICATION SPEC: 114-1049

SIZE: A1
 CAGE CODE: 00779
 DRAWING NO: 643657
 RESTRICTED TO: CUSTOMER DRAWING

SCALE: 5:1 SHEET: 1 OF 1 REV: L1