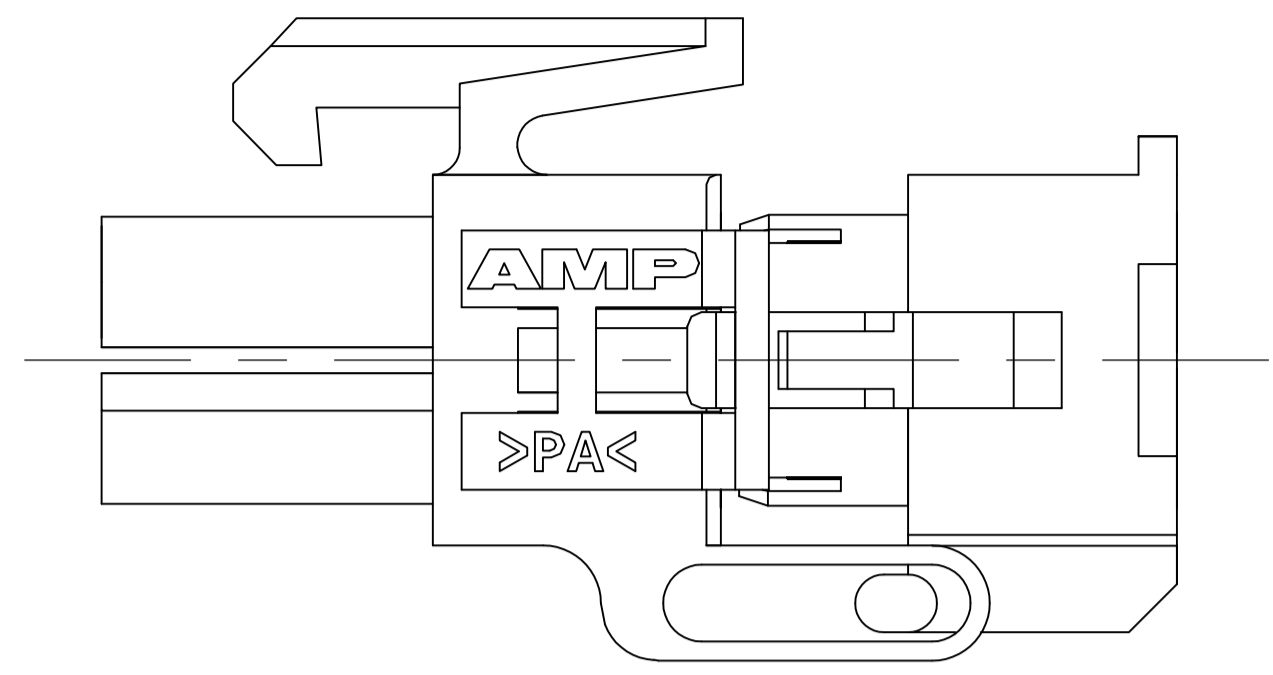
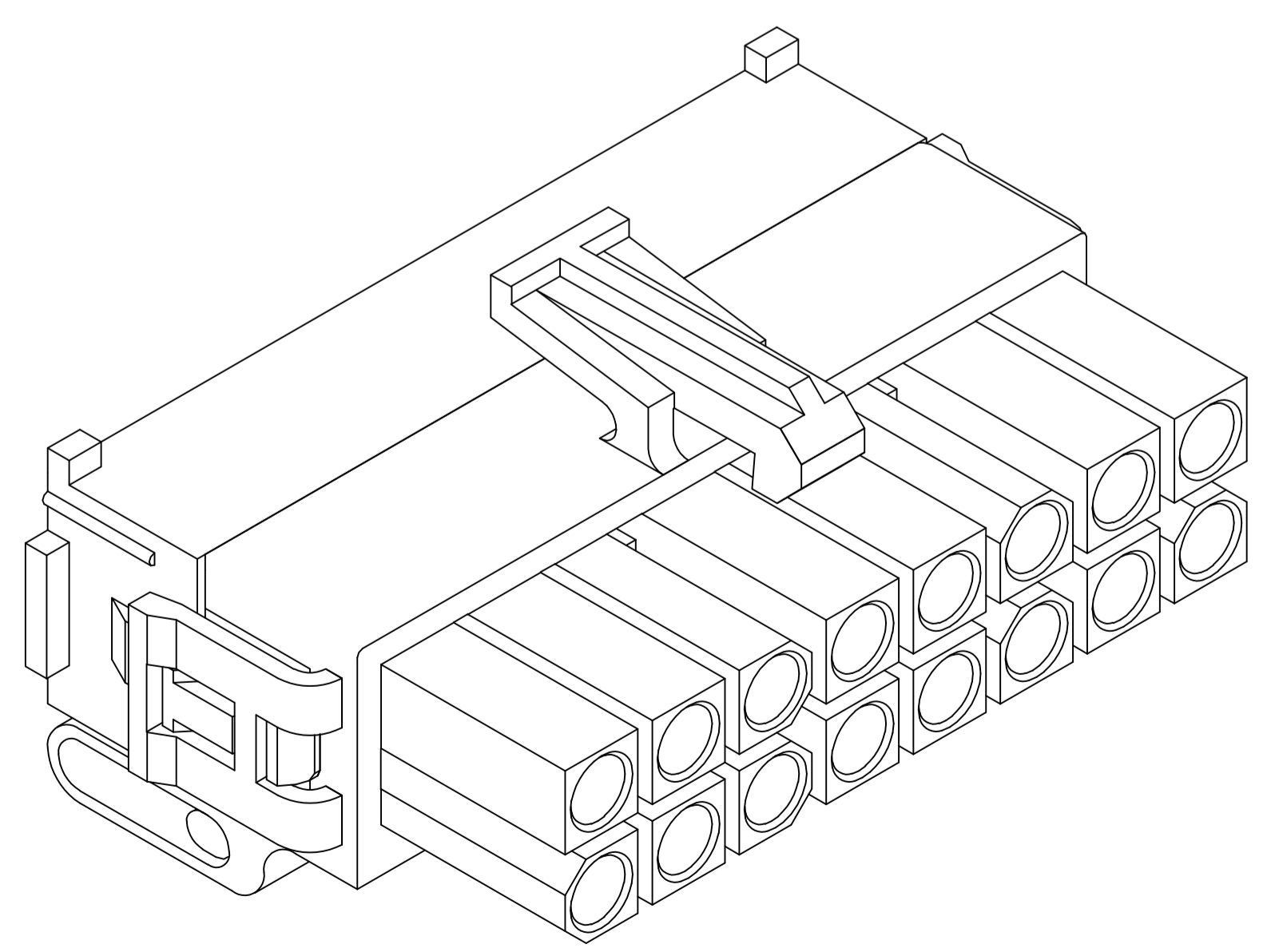
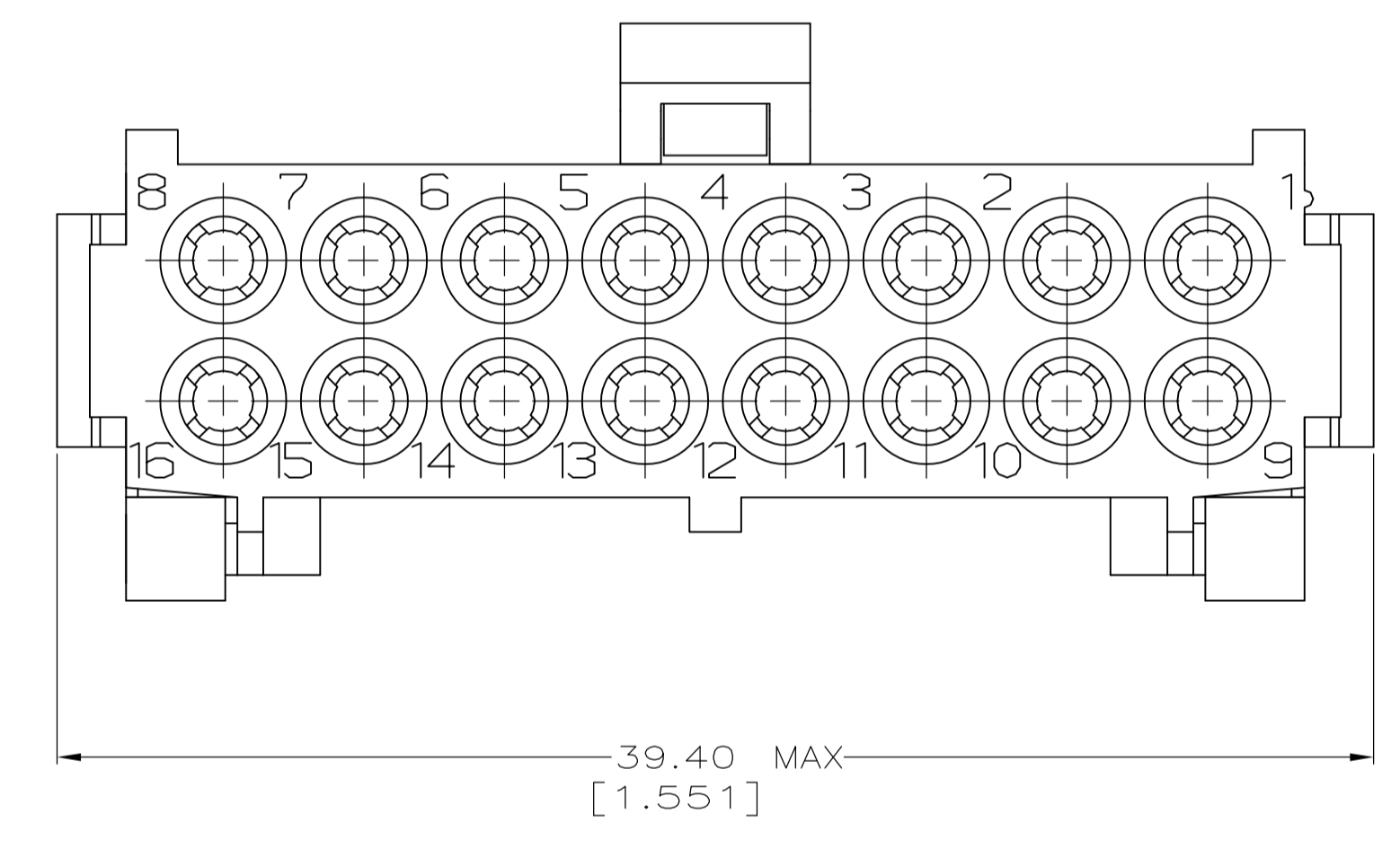
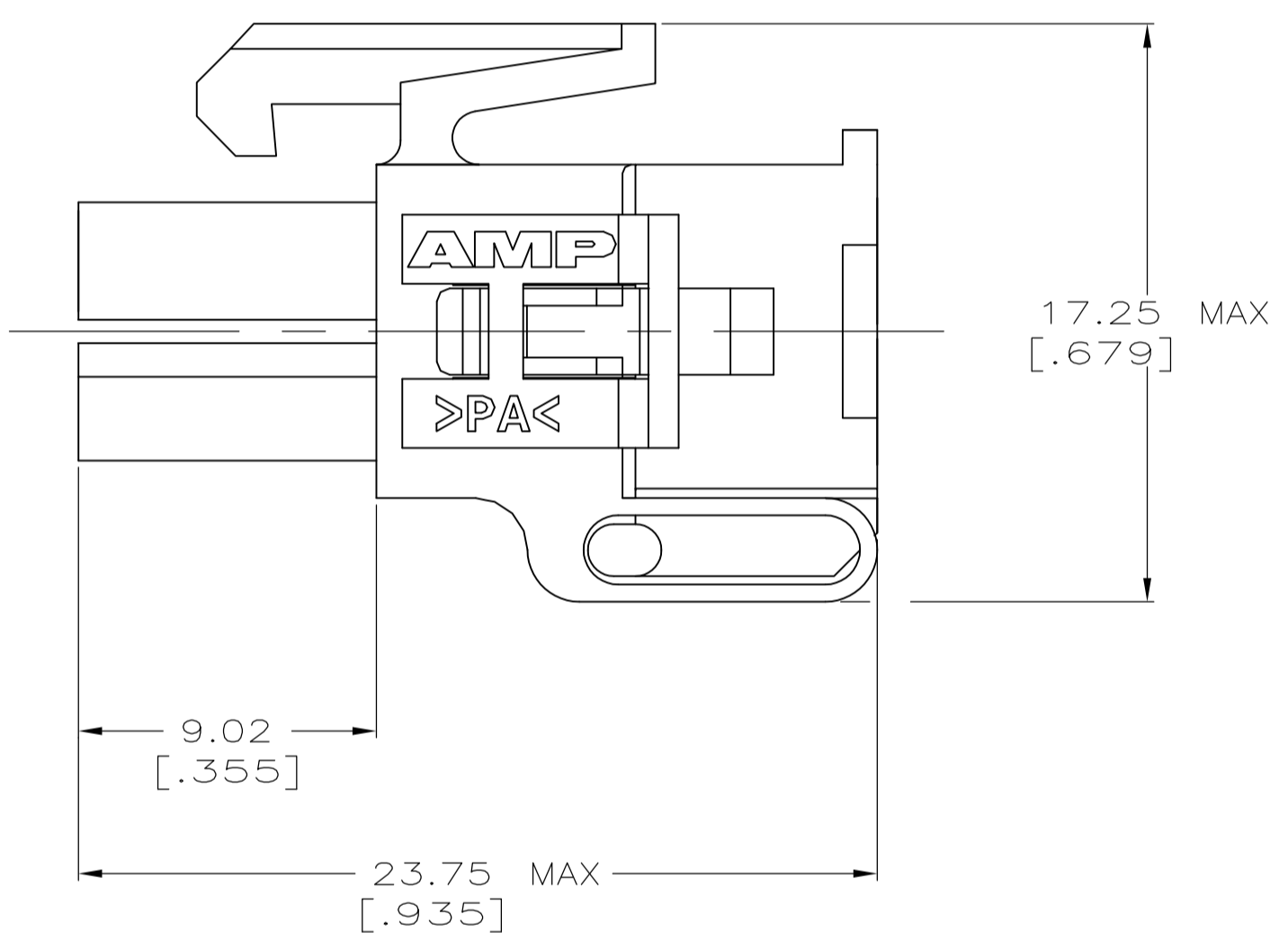
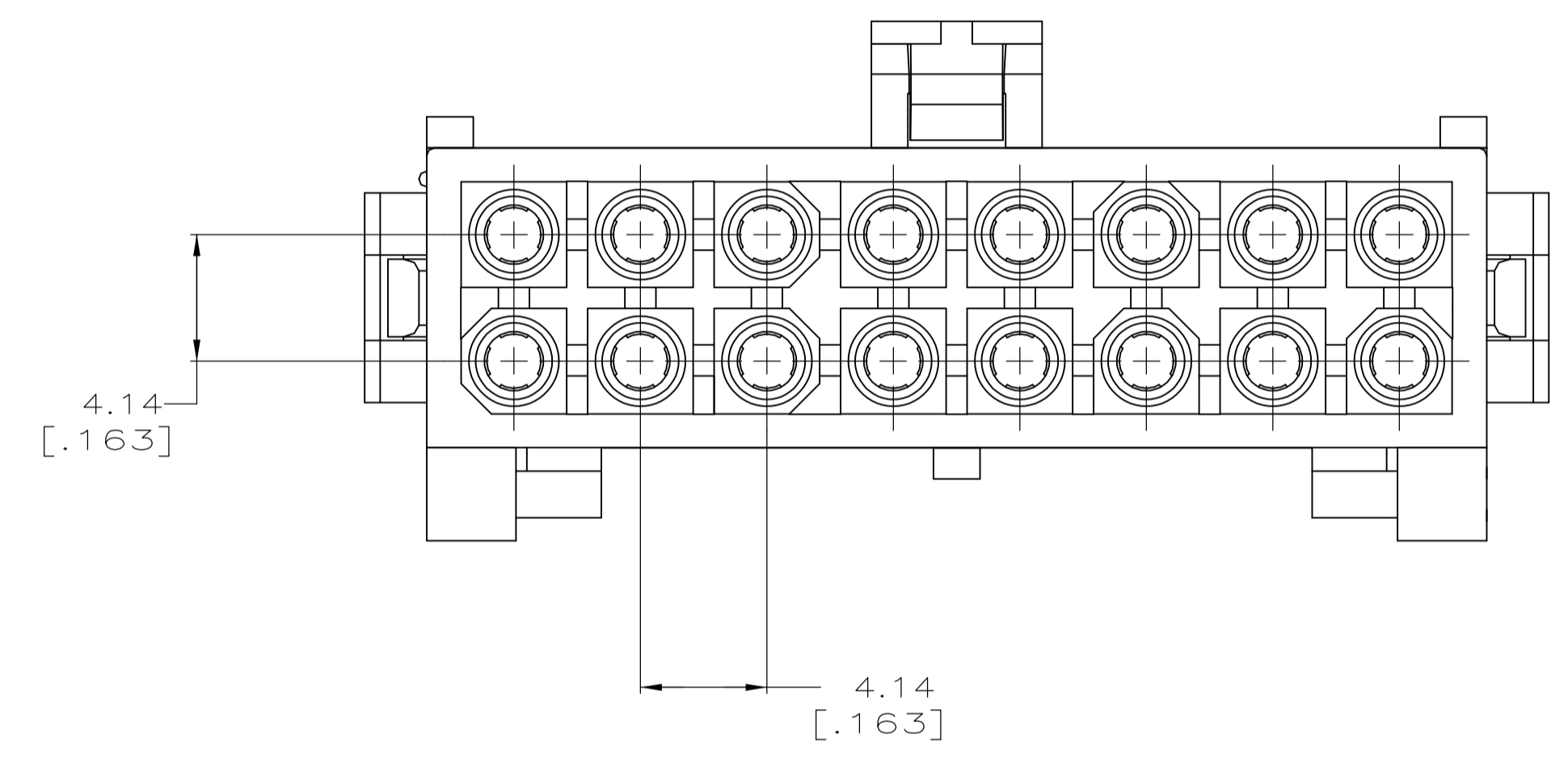


LOC		DIST		REVISIONS			
P	LTR	DESCRIPTION	DATE	DWN	APVD		
C1		REVISED PER ECR 10-025344	23FEB11	JR	TM		



PRE-STAGED CONDITION

1 DIMENSIONS IN BRACKETS ARE IN INCHES.



3-DIMENSIONAL MODEL
NTS

METRIC

794206-1
PART NUMBER

THIS DRAWING IS A CONTROLLED DOCUMENT.		DIN K. WHITAKER 5-19-97	Tyco Electronics Corporation Harrisburg, PA 17105-3608
DIMENSIONS: mm		CHK R. SWING 5-19-97	
TOLERANCES UNLESS OTHERWISE SPECIFIED:		APP'D R. ORSTAD 5-19-97	NAME PLUG, 16 CIRCUIT, MINI UNIVERSAL MATE-N-LOK™ 2
0. PLC ± -		PRODUCT SPEC	SIZE A1
1. PLC ± -		APPLICATION SPEC	CAGE CODE 00779
2. PLC ± -		WEIGHT	DRAWING NO. 794206
3. PLC ± 0.13 [0.005]			RESTRICTED TO
4. PLC ± -			
ANGLES ± -			
MATERIAL NYLON, UL94V-0, NATURAL	FINISH -	CUSTOMER DRAWING	SCALE 5:1 SHEET 1 OF 1 REV C1