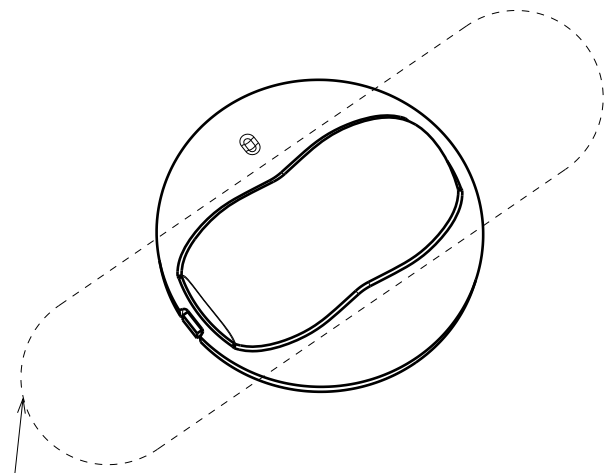


INDEX	PART NO	DESCRIPTION	MATERIAL
1	C13155	EMERALD-A	PMMA

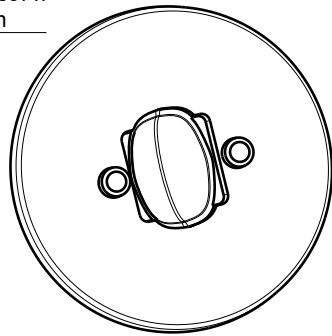
4

Isometric view  
Scale: 2:1

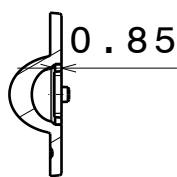


3

Beam pattern direction

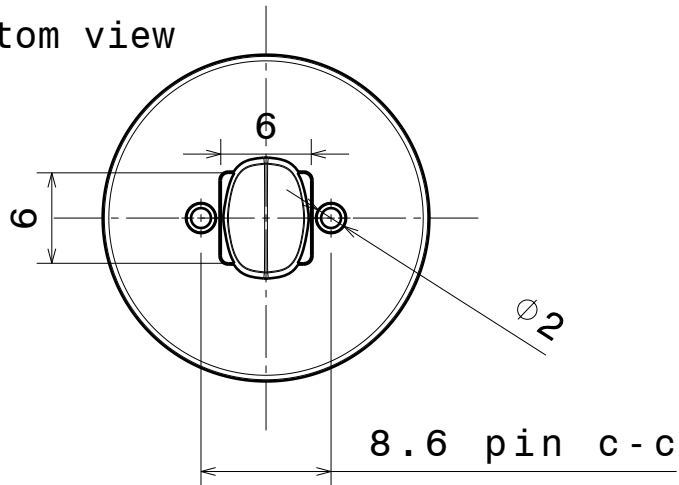


2

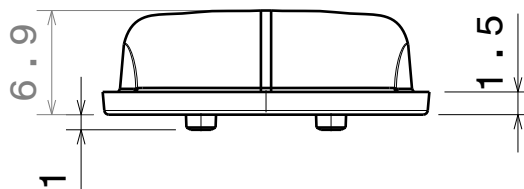


Section view A-A  
Scale: 1:1

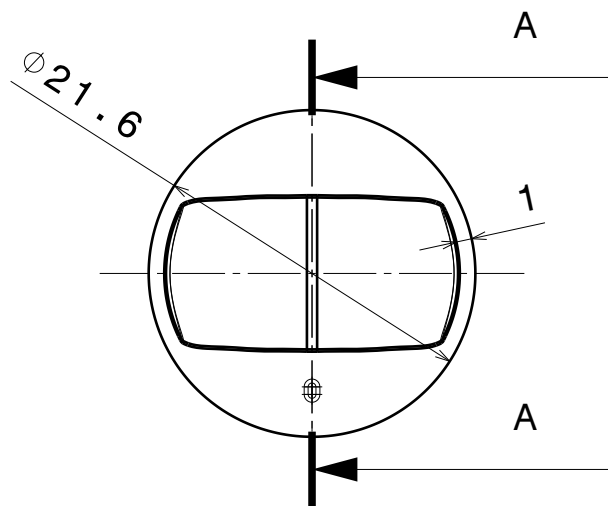
Bottom view



Front view



Top view



This drawing is our property. It can't be reproduced or communicated without our written agreement.

**LEDiL** LediL Oy  
Salorankatu 10  
FIN 24240 SALO  
Finland

DATASHEET TITLE Mechanical Drawing

DRAWN BY  
**ol**  
DATE  
3.10.2012

**C13155 EMERALD-A**

CHECKED BY  
**as**  
DATE  
3.10.2012

SIZE <b>A4</b>	PART NUMBER <b>C13155</b>	REV <b>001</b>
-------------------	------------------------------	-------------------

DESIGNED BY  
**ol**  
DATE  
3.10.2012

SCALE 2:1	WEIGHT	SHEET 1/1
--------------	--------	--------------

D

A

4

3

2

1