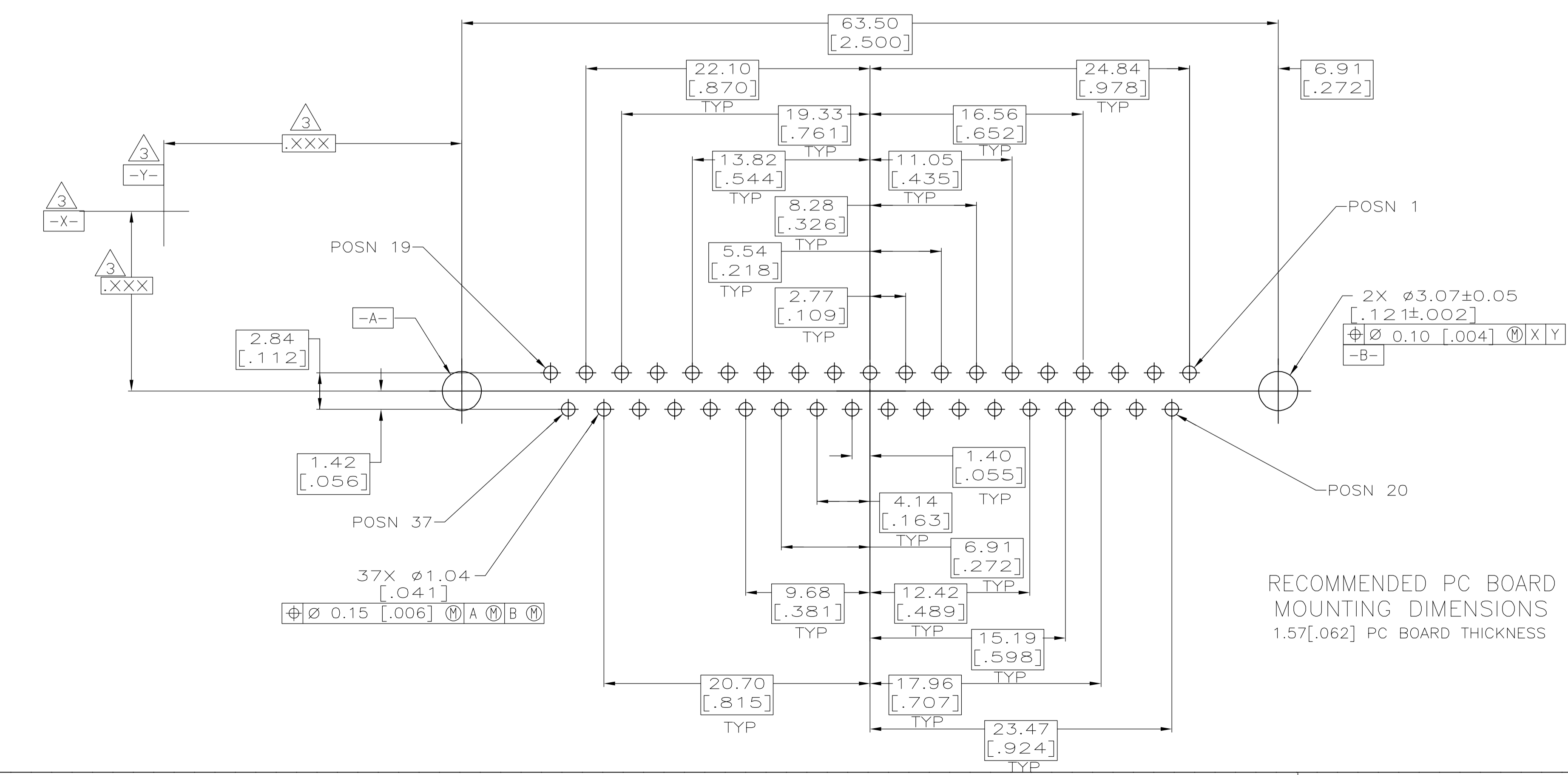
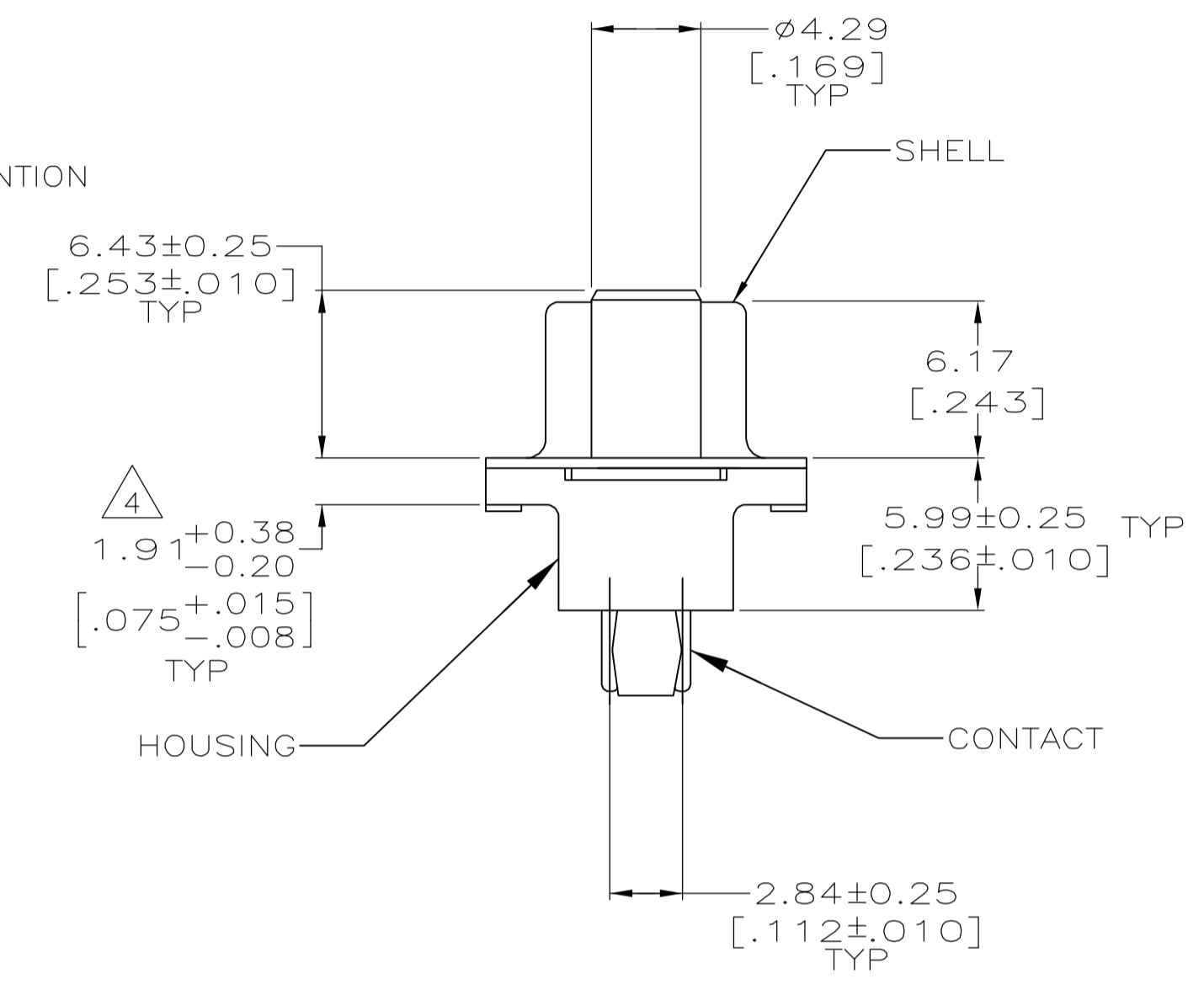
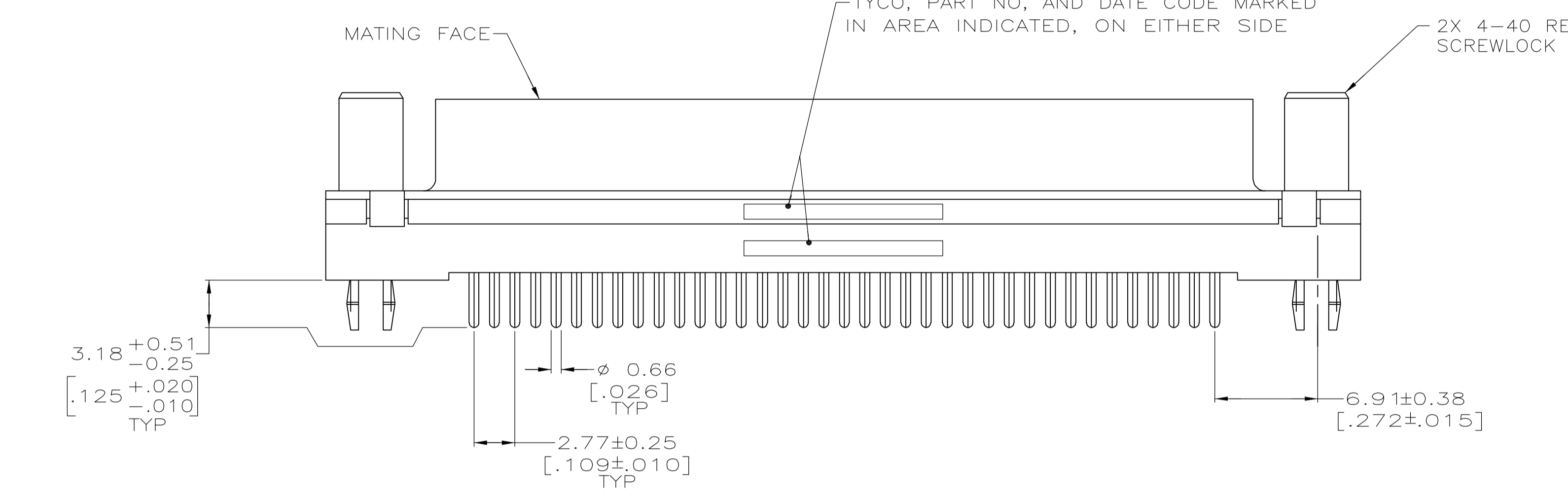


- 1 HOUSING: POLYESTER, UL 94V-0 RATED, COLOR BLACK.
CONTACTS: PHOSPHOR BRONZE.
RETENTION SCREWLOCKS: BRASS.
SHELL: CARBON STEEL.
- 2 SHELL: 5.08µm[.000200] MIN TIN OVER 2.54µm[.000100] MIN COPPER.
CONTACTS: 0.76µm[.000030] MIN GOLD FOR A LENGTH OF 1.40 [.055] MIN FROM MATING END, 2.54µm[.000100] MIN TIN ON OPPOSITE END, BOTH OVER 1.27µm[.000030] MIN NICKEL OVER COPPER FLASH.
RETENTION SCREWLOCKS: 2.54µm[.000100] MIN TIN OVER 1.27µm[.000050] MIN NICKEL OVER COPPER FLASH.
- 3 DATUMS AND BASIC DIMENSIONS ESTABLISHED BY CUSTOMER.
- 4 2.79[.110] MAX IN SHELL TAB CLINCH AREAS.



5787685-1
PART NUMBER

| | | | | |
|--|--|-------------------------|---------|--|
| THIS DRAWING IS A CONTROLLED DOCUMENT. | | DWG: B. LATTUCA | 03OCT05 | Tyco Electronics Corporation Harrisburg, PA 17105-3608 |
| DIMENSIONS: mm [INCHES] | | CHK: S. BOLASH | 03OCT05 | |
| TOLERANCES UNLESS OTHERWISE SPECIFIED: | | APPD: M. WALMSLEY | 03OCT05 | NAME: RECEPTACLE ASSEMBLY, SIZE 4, 37 POSITION, FRONT METAL SHELL, RETENTION SCREWLOCKS, AMPLIMITE HD-20 |
| 0 PLC ± - | | PRODUCT SPEC: 108-40025 | | APPLICATION SPEC: 114-40023 |
| 1 PLC ± - | | SIZE: A1 | | CAGE CODE: 00779 |
| 2 PLC ± 0.13 [0.005] | | DRAWING NO: 5787685 | | SCALE: 4:1 |
| 3 PLC ± - | | WEIGHT: - | | SHEET: 1 OF 1 |
| 4 PLC ± - | | CUSTOMER DRAWING | | REV: A |