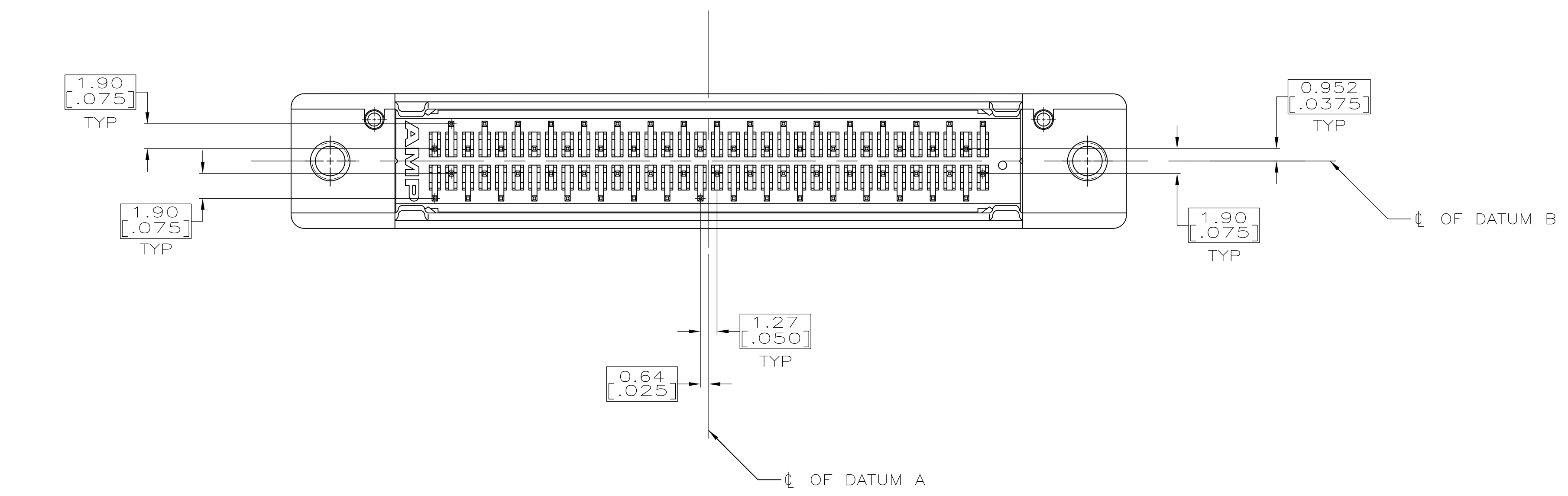
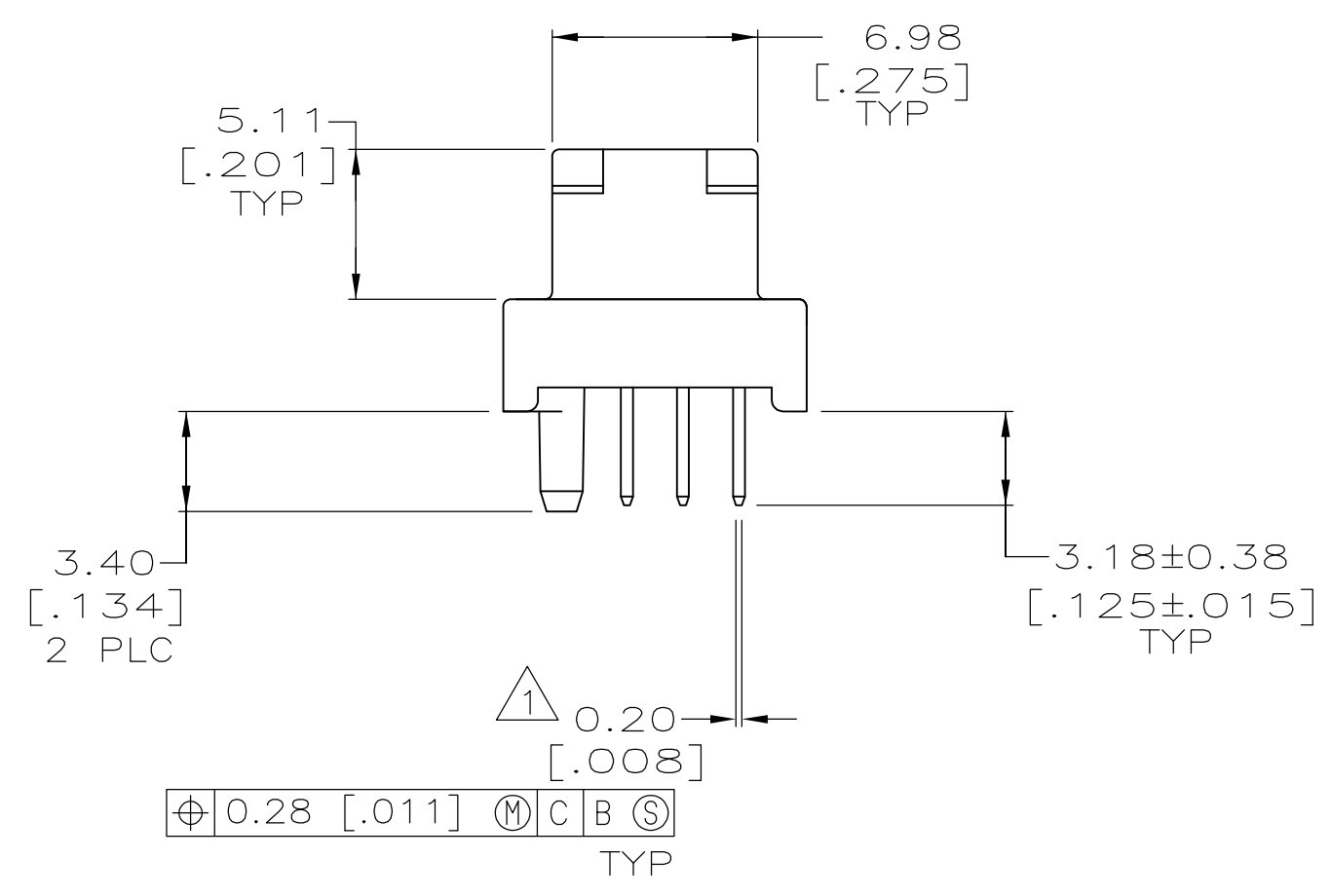
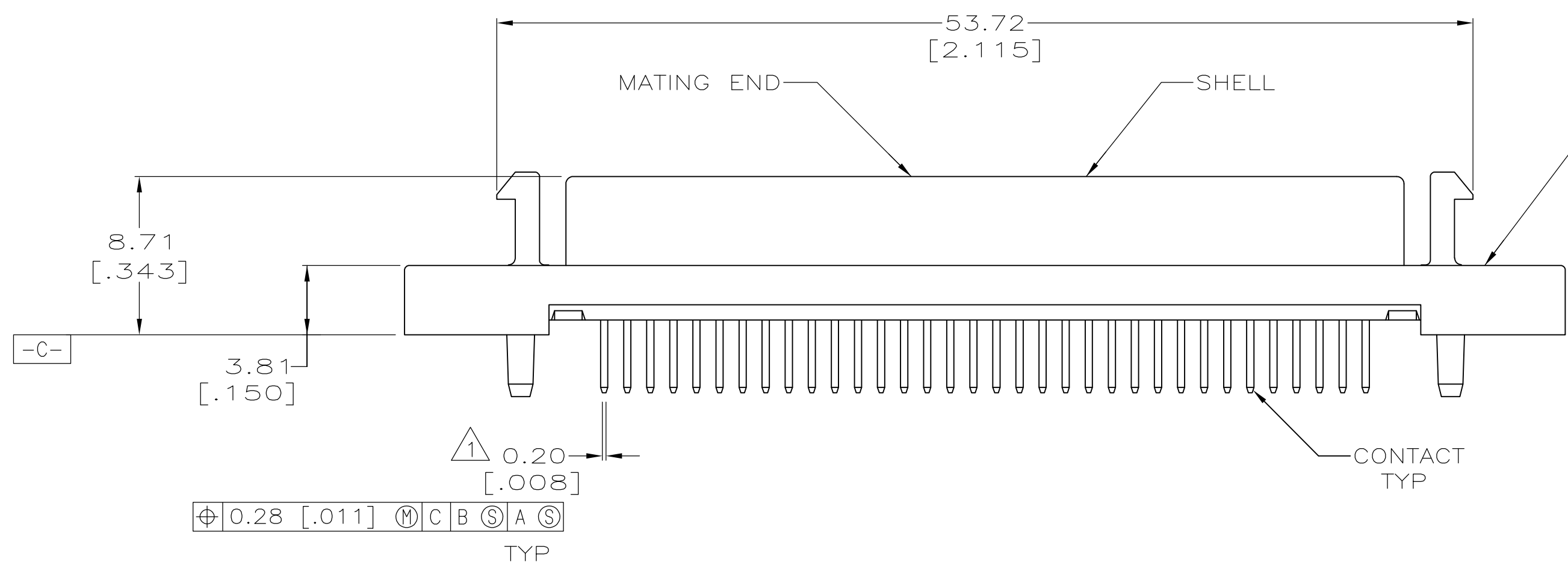


P.C. BOARD MOUNTING DIMENSIONS
 (CONNECTOR SIDE)



- Δ POSITION TOLERANCE APPLIES AT CONTACT TIP.
- Δ RECEPTACLE HOUSING: POLYESTER, UL 94V-0 RATED, BLACK.
 SHELL: CARBON STEEL.
 CONTACT: PHOSPHOR BRONZE.
 RECEPTACLE BRACKET: ZINC.
- Δ SHELL: 5.08 μ m [.000200] MIN NICKEL OVER 1.27 μ m [.000050] MIN COPPER.
 RECEPTACLE BRACKET: 5.08 μ m [.000200] MIN TIN OVER 5.08 μ m [.000200] MIN COPPER.
 CONTACTS: EITHER 0.76 μ m [.000030] MIN GOLD PLATE FOR A LENGTH OF 0.64 [.025] MIN, 0.13 [.005] MAX FROM MATING END, OR GOLD FLASH PLATED OVER PALLADIUM NICKEL PLATE, 0.76 μ m [.000030] MIN TOTAL FOR A LENGTH OF 0.64 [.025] MIN, 0.13 [.005] MAX FROM MATING END. 3.81 μ m [.000150] MIN TIN ON OPPOSITE END FOR A LENGTH OF 3.56 [.140] MIN, BOTH OVER 1.27 μ m [.000050] MIN NICKEL.

5796048-1
 PART NUMBER

**COPYRIGHT 2005
 TYCO ELECTRONICS CORP
 ALL RIGHTS RESERVED**

THIS DRAWING IS A CONTROLLED DOCUMENT.		DWN L VARELA - 02-21-05	Tyco Electronics Corporation Harrisburg, PA 17105-3608
DIMENSIONS: mm [INCHES]		CHK S SHUEY 02-21-05	
TOLERANCES UNLESS OTHERWISE SPECIFIED:		APRD M WALMSLEY 02-21-05	NAME
0 PLC	\pm -	PRODUCT SPEC	RECEPTACLE ASSEMBLY, 68 POSITION, SHIELDED, VERTICAL, .050 SERIES, AMPLIMITE
1 PLC	\pm -	APPLICATION SPEC	108-1228
2 PLC	± 0.13 [.005]	SIZE	114-40029
3 PLC	\pm -	WEIGHT	-
4 PLC	\pm -	CAGE CODE	114-40029
ANGLES	\pm -	DRAWING NO	00779
FINISH	\pm -	REV	5796048
MATERIAL		CUSTOMER DRAWING	SCALE 4:1 SHEET 1 OF 1 REV B