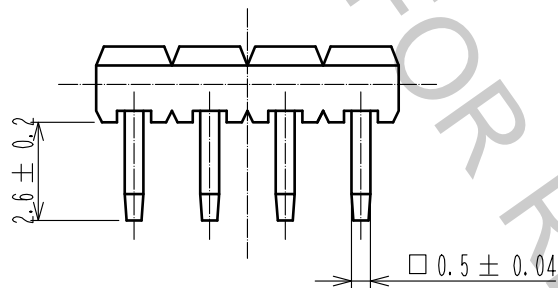
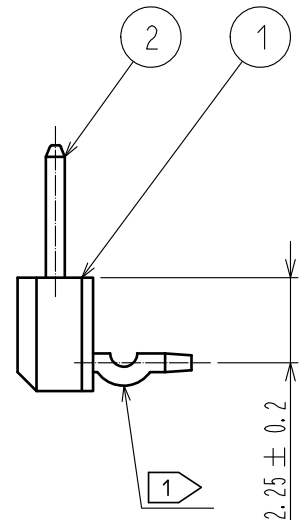
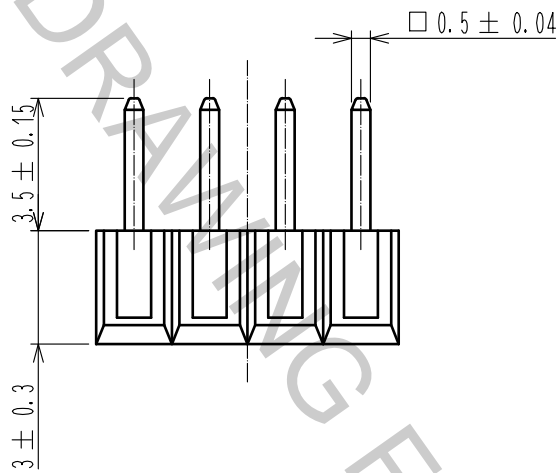
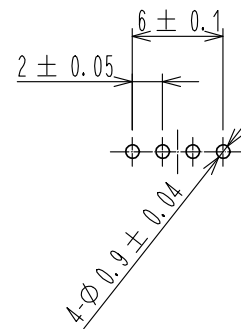
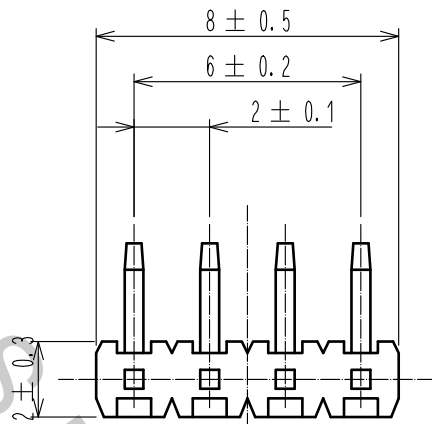


RECOMMENDED PC BOARD HOLE PATTERN

t=1.6 (2:1)



NOTES 1 KINKED TERMINALS ARE SKIPPING STEP STYLE AND THE NUMBER OF KINKED TERMINAL SHALL BE 2.

1			2		
POLYAMIDE			PHOSPHOR BRONZE		
BLACK, UL94V-0			CONTACT: GOLD PLATING 0.03µm MIN DIP : TIN PLATING 2µm MIN UNDER : NICKEL PLATING 2µm MIN		
NO.	MATERIAL	FINISH . REMARKS	NO.	MATERIAL	FINISH . REMARKS
UNITS mm		SCALE 5:1	COUNT 1	DESCRIPTION OF REVISIONS	DESIGNED CHECKED DATE
HIROSE ELECTRIC CO., LTD.			APPROVED : HS. OKAWA	15.06.04	DRAWING NO. EDC-080142-71-21
			CHECKED : HT. YAMAGUCHI	15.06.04	PART NO. A4B-4PA-2DS(71)
			DESIGNED : MT. ITANO	15.06.04	CODE NO. CL622-0353-7-71
			DRAWN : MT. ITANO	15.06.04	1