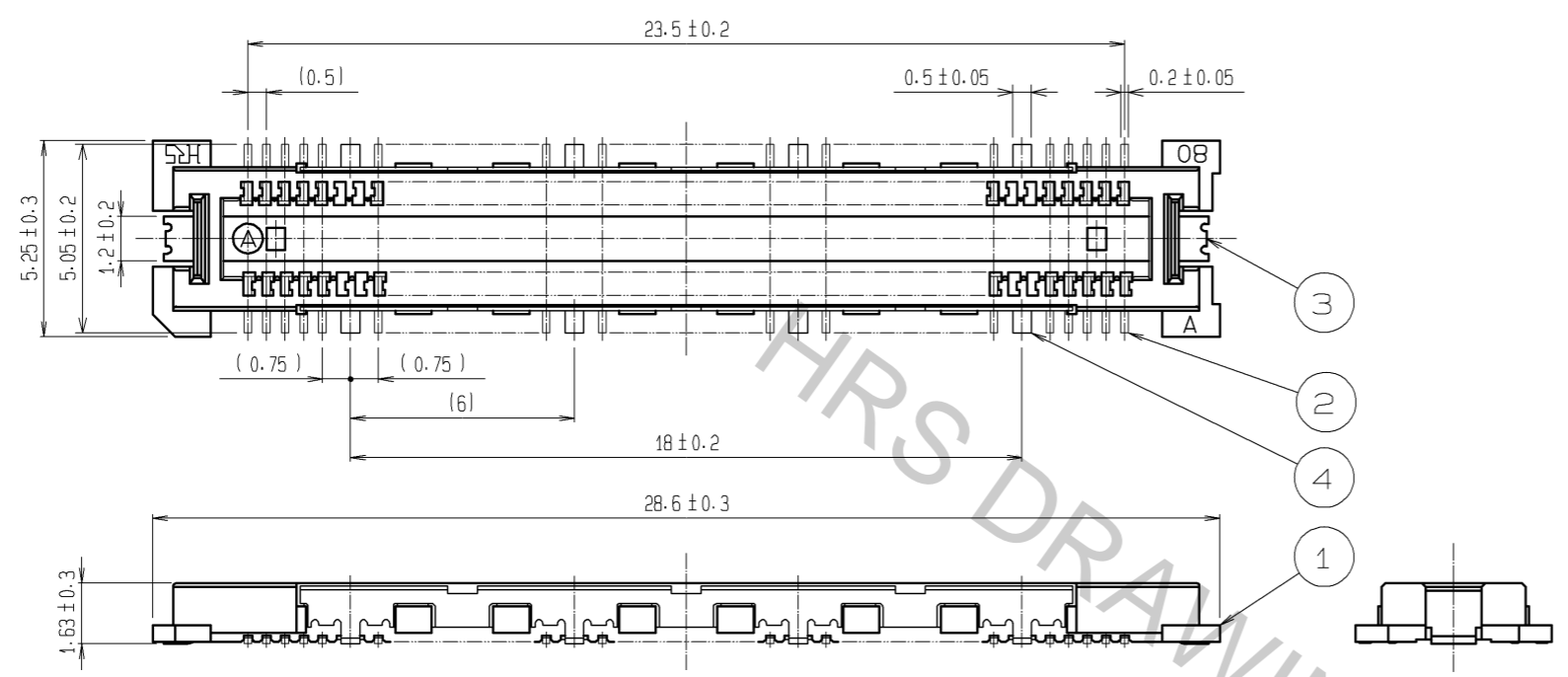
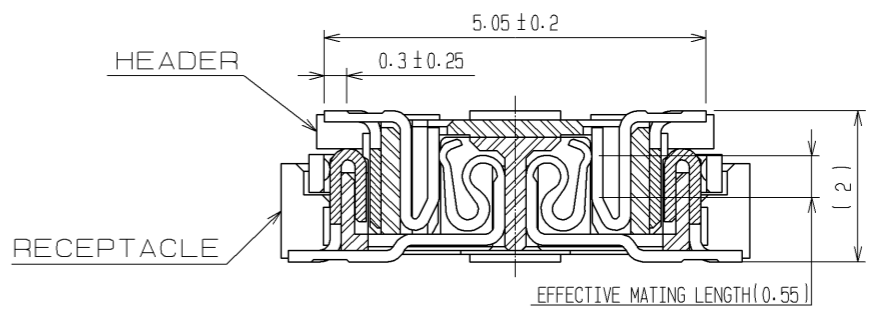


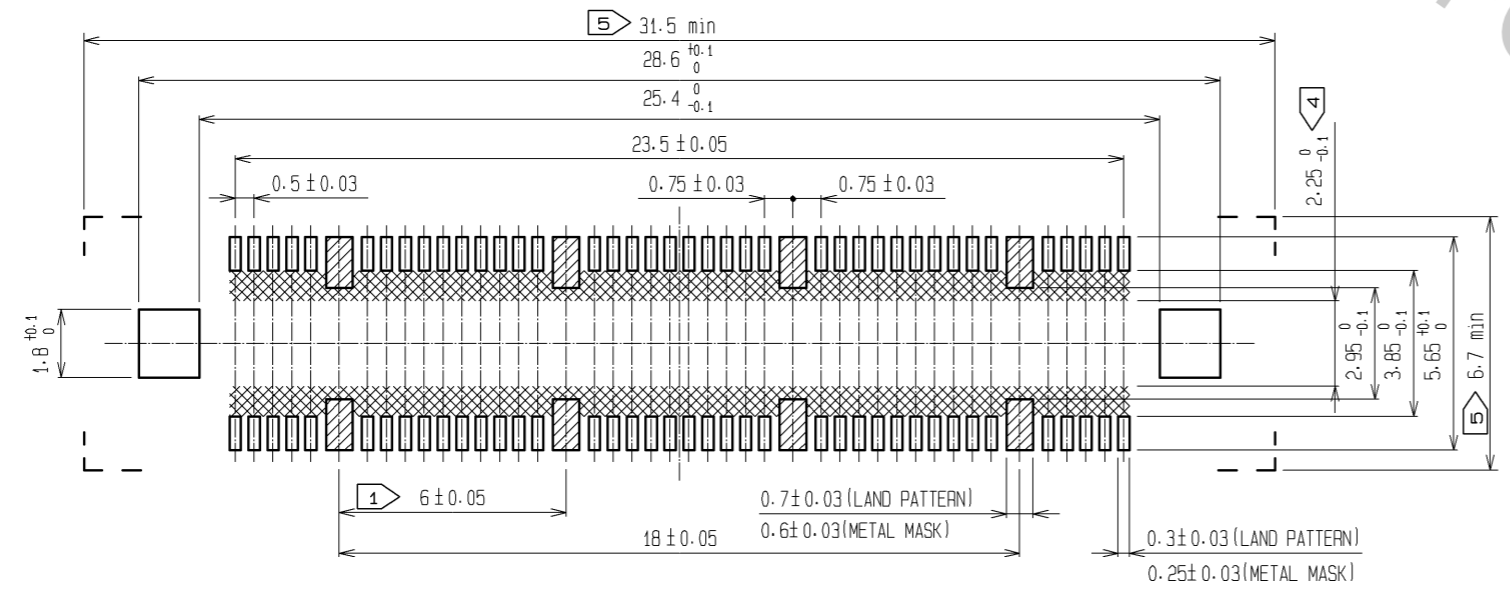
Apr.1.2017 Copyright 2017 HIROSE ELECTRIC CO., LTD. All Rights Reserved.



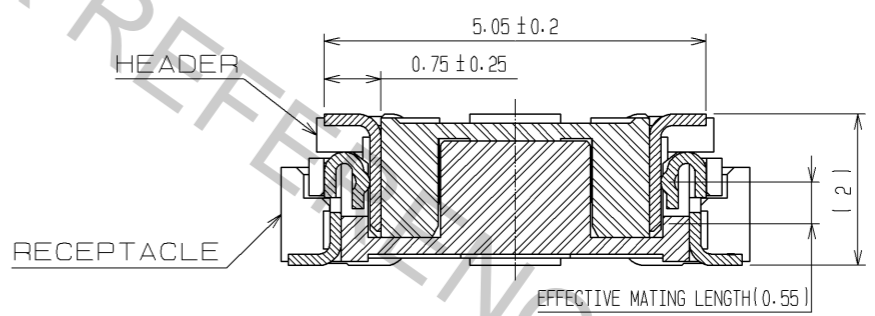
SIGNAL PORTION CROSS SECTION (10:1)



RECOMMENDED LAND PATTERN DIMENSION OF PCB



GROUND PORTION CROSS SECTION (10:1)



- NOTES
- ① 8 HATCHED PARTS: GROUND CIRCUIT.
 - ② SMT LEAD-COPLANARITY: 0.1 MAX.
 - ③ THIS PRODUCT HAS NO POLARITY TO PATTERN FOR MOUNTING.
 - ④ MAKE SURE WIDTH OF PATTERN IS WITHIN THAT OF LAND, OR LEAD MAY TOUCH PATTERN. (THIS APPLIES TO HATCHED AREA.)
 - ⑤ DO NOT MOUNT OTHER DEVICES ONTO AREA, OR MATING PAIR CANNOT BE MATED.
 - ⑥ THE DIMENSIONS IN PARENTHESES ARE FOR REFERENCE.

1	LCP	BEIGE	UL94V-0	4	PHOSPHOR BRONZE	TIN PLATING
NO.	MATERIAL	FINISH	REMARKS	NO.	MATERIAL	FINISH
				3	PHOSPHOR BRONZE	TIN PLATING
				2	COPPER ALLOY	CONTACT AREA : GOLD 0.1μm min.
			LEAD AREA : GOLD FLASH			
						UNDER PLATING : NICKEL 1μm min.

UNITS mm		SCALE 5:1	COUNT △	DESCRIPTION OF REVISIONS	DESIGNED	CHECKED	DATE
HRS HIROSE ELECTRIC CO., LTD.		APPROVED : HS. OKAWA	07.07.26	DRAWING NO.	EDC3-152097-25		
		CHECED : HS. OZAWA	07.07.26	PART NO.	FX11LB-80P/8-SV(71)		
		DESIGNED : SY. KAMIGA	07.07.26	CODE NO.	CL573-0013-3-71		
		DRAWN : HK. SUNADORI	07.07.24				