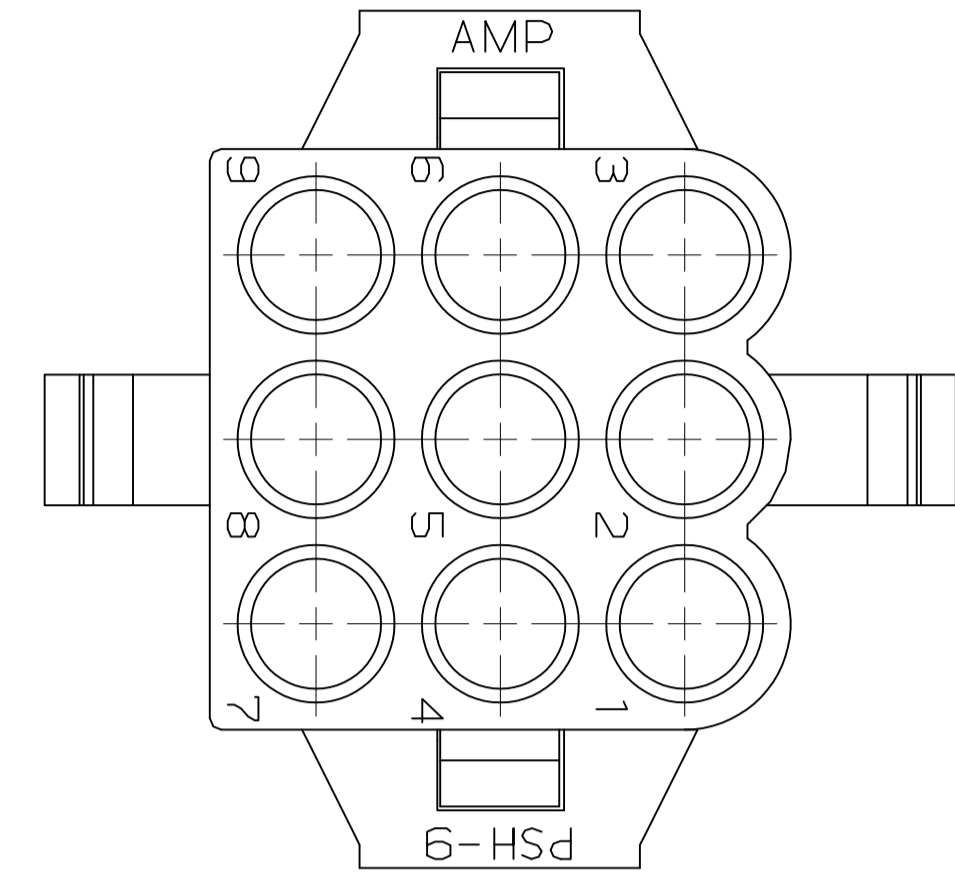
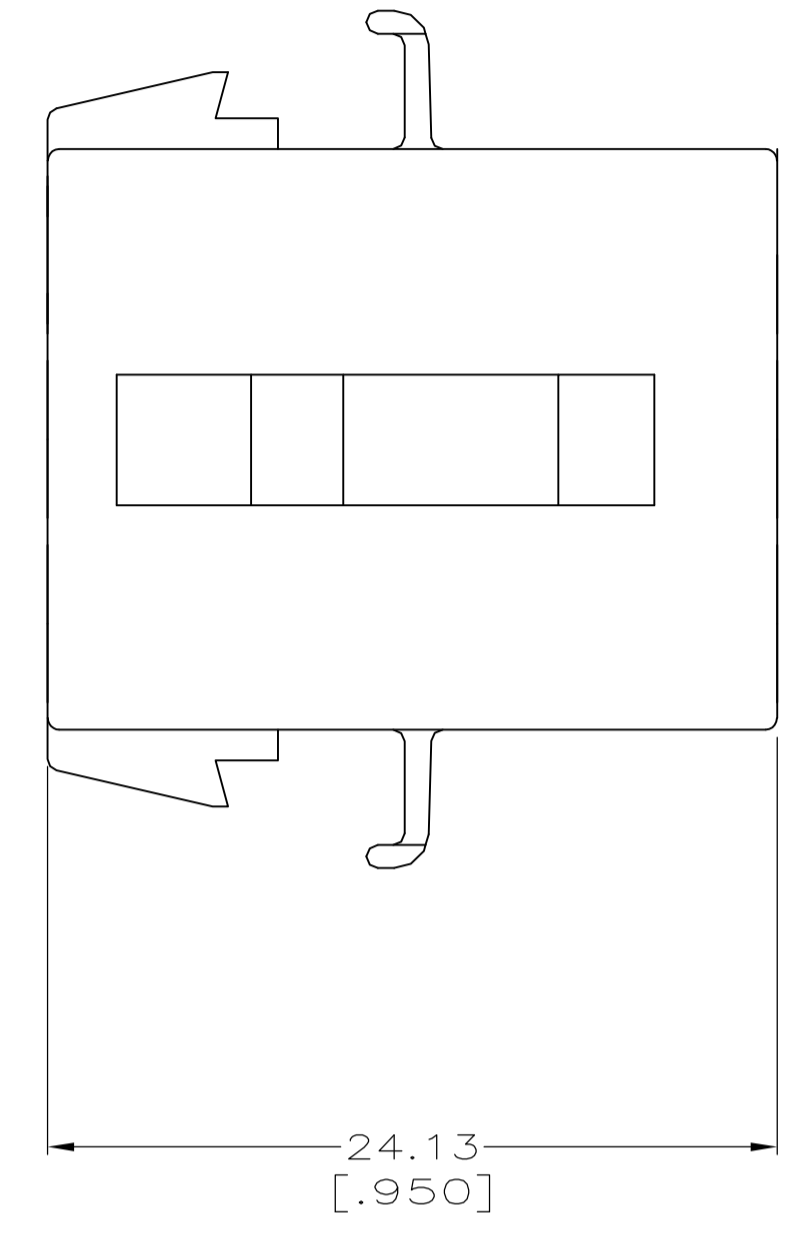
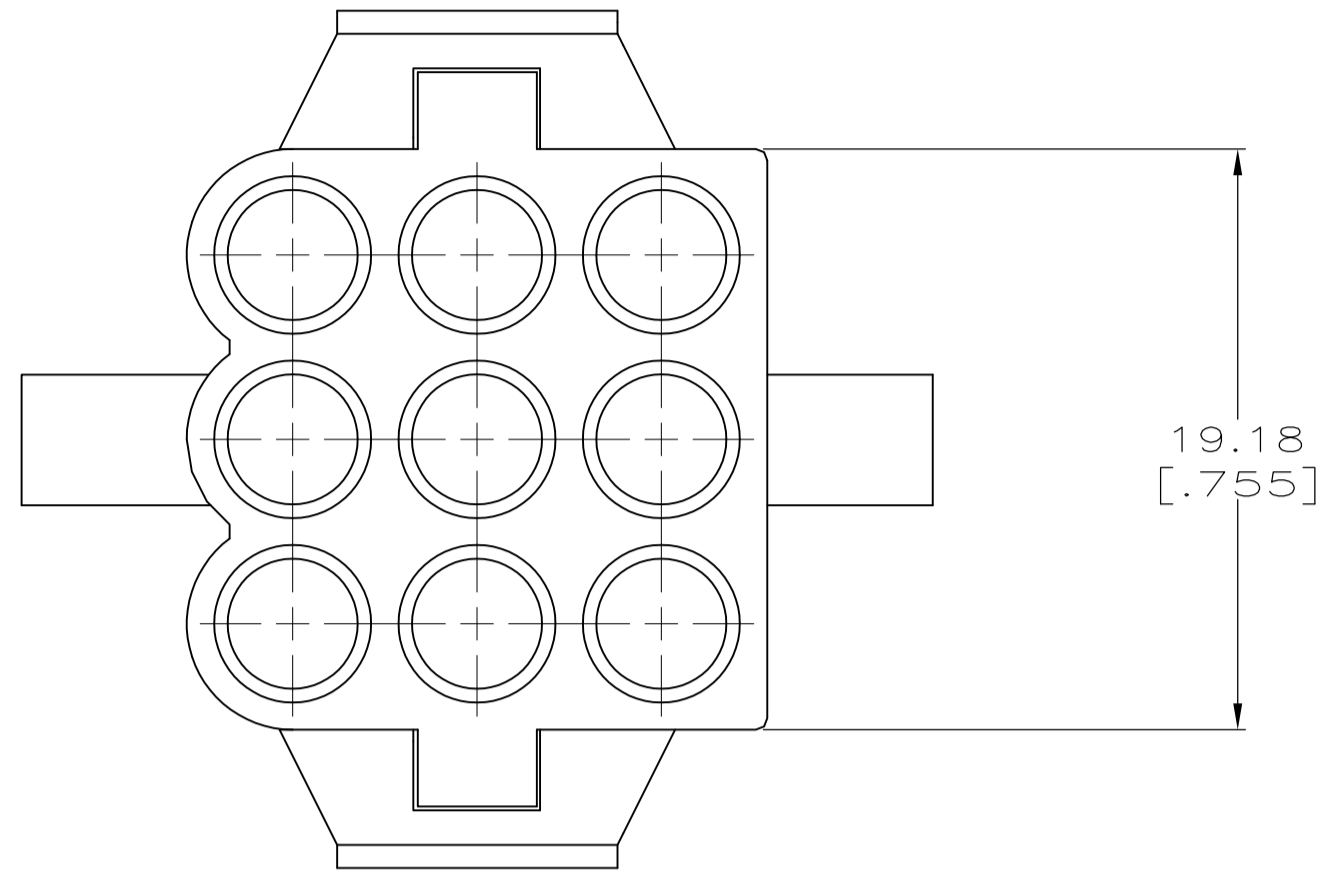
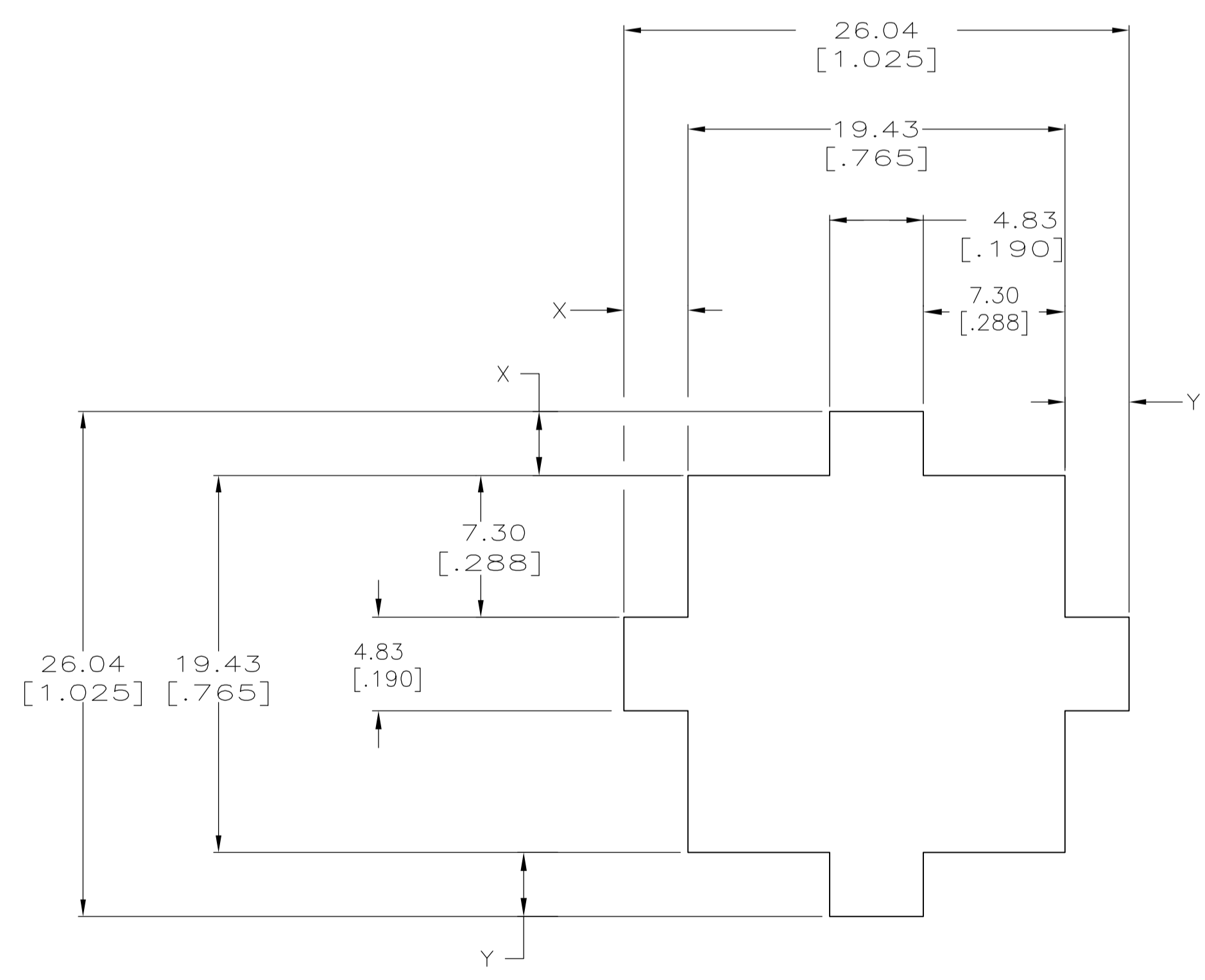
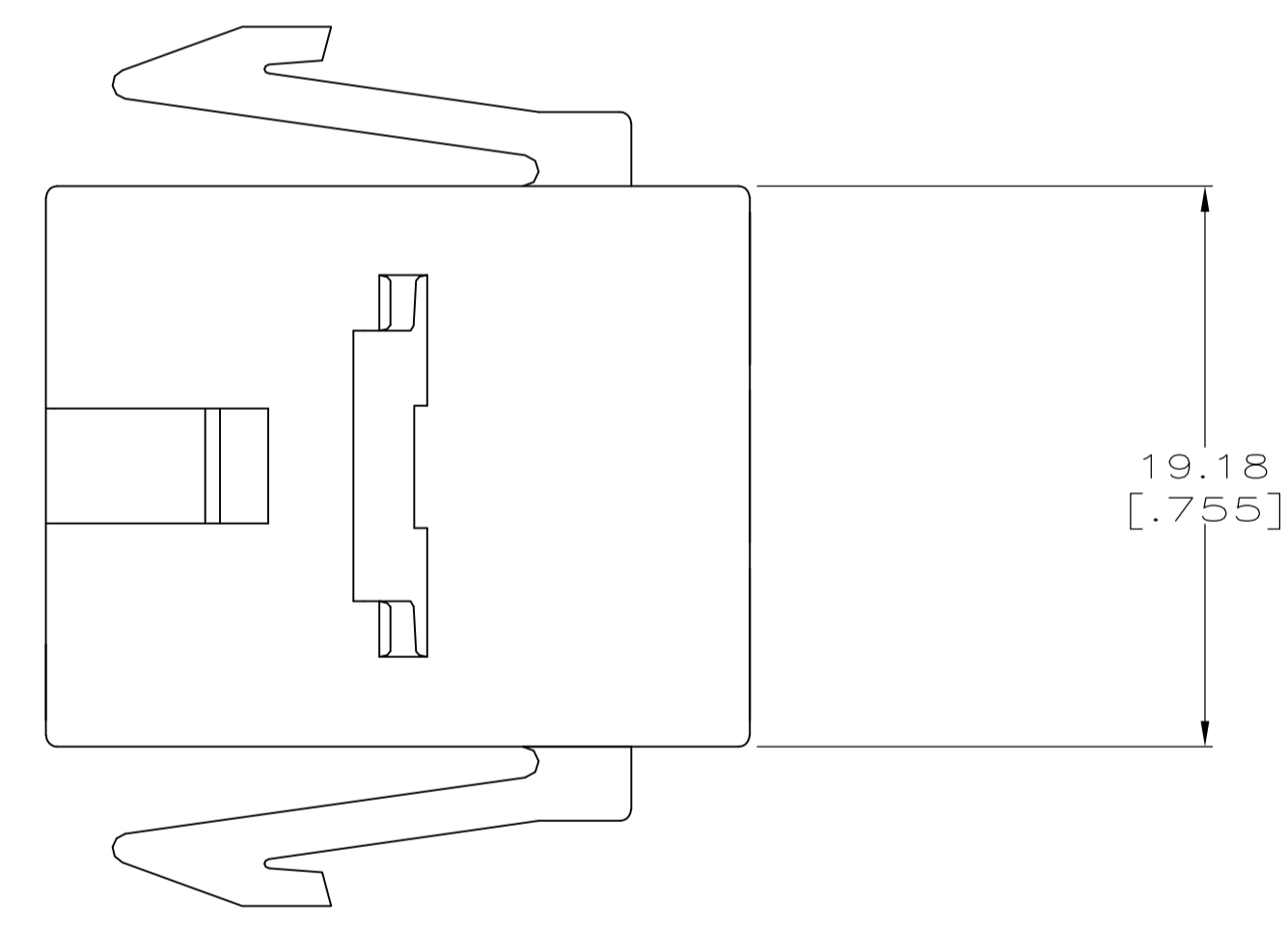


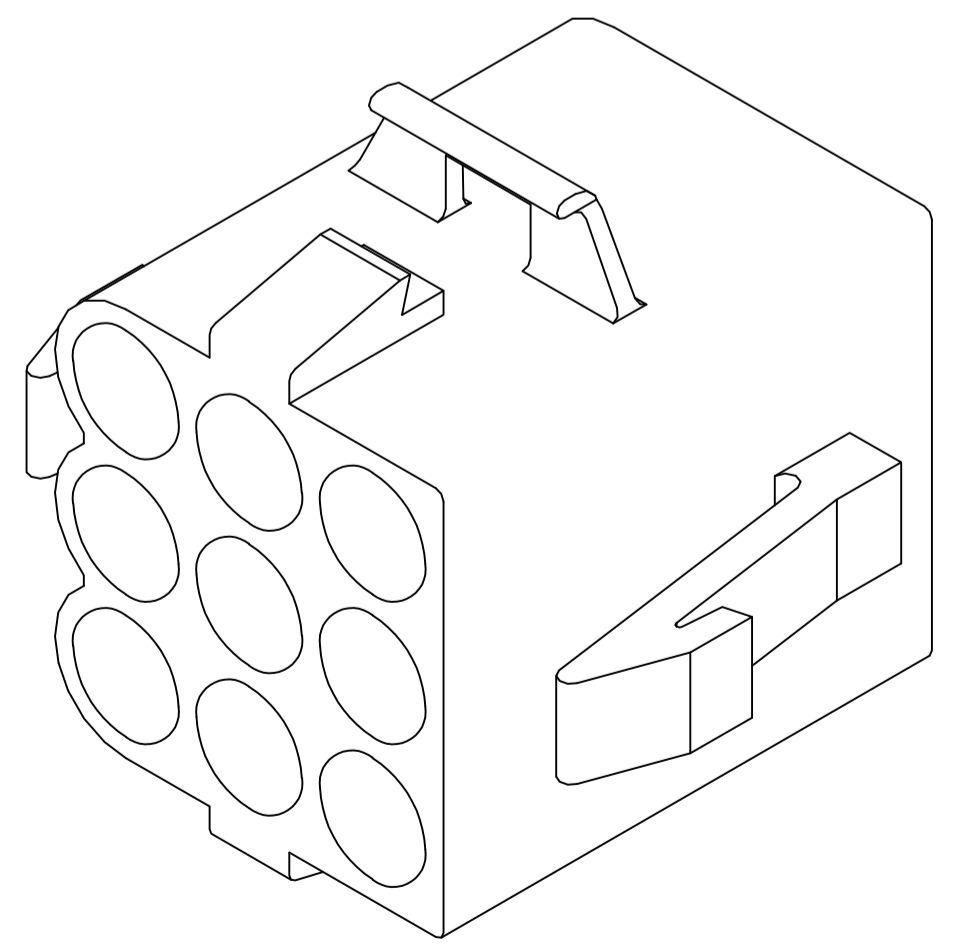
| LOC | | DIST | | REVISIONS | | | |
|-----|-----|---------------------------|---------|-----------|------|--|--|
| P | LTR | DESCRIPTION | DATE | DWN | APVD | | |
| H1 | | REVISED PER ECO-11-005027 | 11MAR11 | RK | HMR | | |



- PANEL THICKNESS - 1.02[.040] - 1.78[.070].
- X & Y TO BE EQUAL WITHIN 0.13[.005].
- PANEL MUST BE PUNCHED SO THAT THE HOUSING AND THE PUNCH ENTER THE PANEL IN THE SAME DIRECTION.

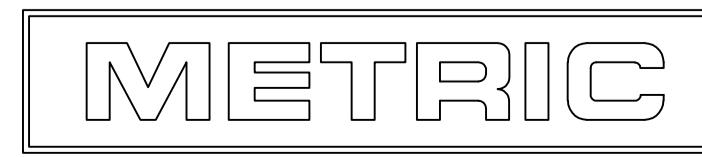


RECOMMENDED PANEL CUT OUT FOR PLUG



3-DIMENSIONAL MODEL NTS

| | |
|---------|-------------|
| BLACK | 1-480672-9 |
| YELLOW | 1-480672-4 |
| BROWN | 1-480672-1 |
| NATURAL | 1-480672-0 |
| COLOR | PART NUMBER |



THIS DRAWING IS A CONTROLLED DOCUMENT.

| | | | | | |
|-------------------------|--|-----------------------------|-----------------------------|-----------|--------------------------------------|
| DIMENSIONS: mm [INCHES] | TOLERANCES UNLESS OTHERWISE SPECIFIED: | DIN K. WHITAKER 06-JAN-2000 | APVD S. RIDGILL 06-JAN-2000 | NAME | PLUG, 9 CIRCUIT, .140 MATE-N-LOK(TM) |
| 0. PLC ± - | 1. PLC ± - | CHK S. RIDGILL 06-JAN-2000 | APVD S. RIDGILL 06-JAN-2000 | SIZE | A1 |
| 2. PLC ± 0.13[.005] | 3. PLC ± - | PRODUCT SPEC | APPLICATION SPEC | CAGE CODE | 480672 |
| 4. PLC ± - | ANGLES ± 0.30° | WEIGHT | CUSTOMER DRAWING | SCALE | 4:1 |
| MATERIAL NYLON, UL94-V2 | FINISH - | RESTRICTED TO | | SHEET | 1 OF 1 |

STE TE Connectivity