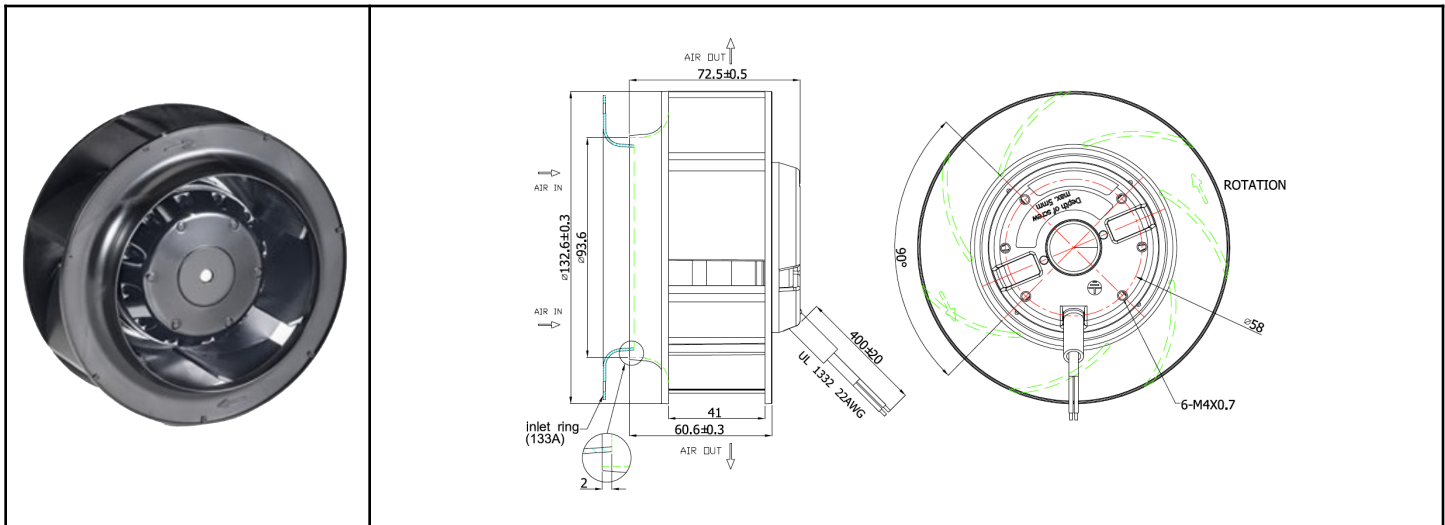


# OAB13372 Series



AC Blower, ball bearing  
133x72 (5.24"x 2.83")



<b>Backwards Curved Impeller</b>		<u>Insulation Housing:</u> AC1500V / 1 minute  <u>Insulation Resistance:</u> > 100 M ohms DC500V  <u>Operating Temperature</u> -40 C ~ +60C  <u>Life Expectancy</u> 40,000 hours (L10, 40C) Ball bearing  IP55 Rated  Weight 2 lbs.  m2	<p>Blue = 60Hz Red = 50Hz</p>
<b>Frame &amp; Impeller</b>	Frame - Diecast aluminum Impeller - UL94V-O Thermoplastic		
<b>Connection</b>	Lead Wires		
<b>Motor</b>	AC, shaded pole, thermally protected		
<b>Bearing System</b>	Dual Ball		

Part Number	OAB13372-11-1WB	OAB13372-22-1WB
Nominal Voltage	115 VAC (50/60 Hz)	230 VAC (50/60 Hz)
Nominal Current (Amps)	0.50 / 0.43	0.24 / 0.21
Locked Current (Amps)	0.83 / 0.72	0.39 / 0.34
Rated Power	42 / 41 W	40 / 39 W
Rated Speed (RPM)	2780 / 3200	2780 / 3200
Airflow (CFM)	165 / 188	165 / 188
Noise Level (dB)	56 / 60	56 / 60
Max. Static Pressure	.65 / .88" H <sub>2</sub> O	.65 / .88" H <sub>2</sub> O