

## DETAILS

<b>Product Number</b>	C10385_NIS83-MX-4-SS
<b>Family</b>	Quak
<b>Type</b>	Lens array
<b>Color</b>	clear
<b>Diameter</b>	50 mm
<b>Height</b>	15,23 mm
<b>Style</b>	round
<b>Optic Material</b>	PMMA
<b>Holder Material</b>	
<b>Fastening</b>	glue, pin
<b>Status</b>	production ready
<b>ROHS Compliant</b>	Yes
<b>Date Updated</b>	16/03/2016



## OPTICAL PROPERTIES

LED	Viewing Angle	Light Beam	Efficiency	cd/lm	Connector
MX-6	12 deg	Smooth spo...-	-	-	-
NS6x83	16 deg	Smooth spo...-	-	-	-
NS3x83	18 deg	Smooth spo...-	-	-	-

D

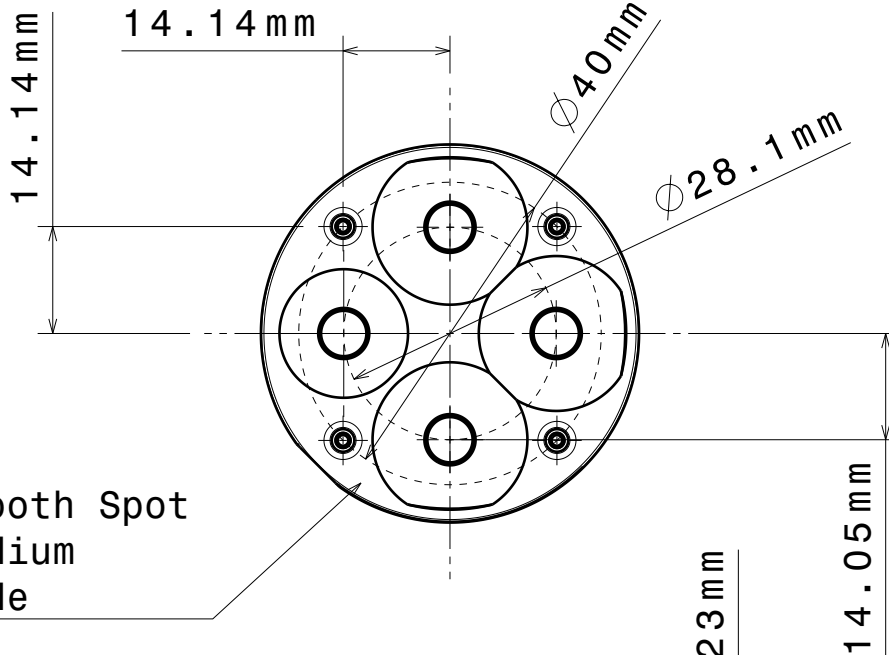
C

B

A

4

4



## MARKING:

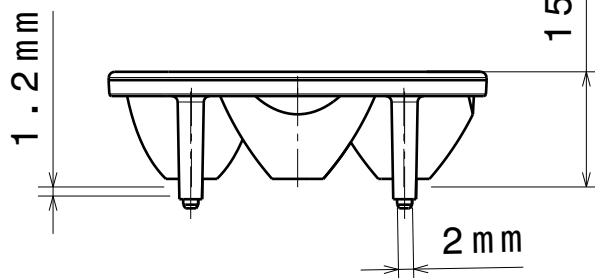
NS = Smooth Spot

NM = Medium

NW = Wide

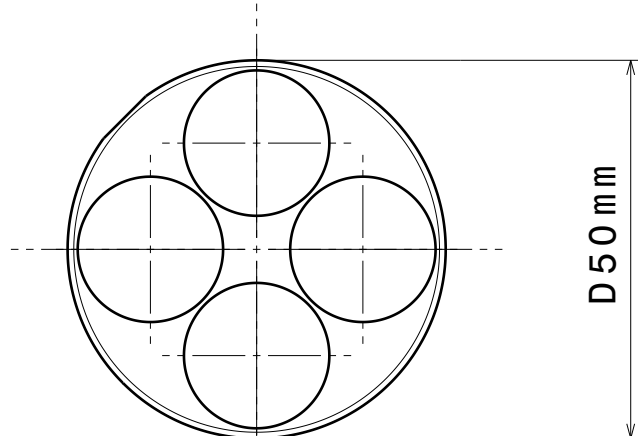
3

3



2

2



Applies to:

Spot C10385\_MX6-4-SS

Medium C10386\_MX6-4-M

Wide C10387\_MX6-4-W

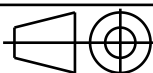
INDEX	DESCRIPTION	MATERIAL	COLOUR
1	MX-4 series lens	PMMA	

Tolerances if not otherwise shown  
According to DIN ISO 2768-1  
Linear measures:  
Up to 30mm class M, otherwise class C.  
According to DIN ISO 2768-2  
Form and position: class L

LEDiL

Ledil Oy  
Salorankatu 10  
FIN 24240 SALO  
Finland

THIRD ANGLE PROJECTION:



DRAWING TITLE

MX-4 series lens

This drawing is the property  
of LEDiL Oy. It may not be  
reproduced, copied or  
communicated without a written  
agreement with LEDiL Oy.

SIZE PART NUMBER

A4

C10385-387

SCALE 1:1 WEIGHT -

SHEET 1/1

D

A

1

**NOTE: The typical divergence will be changed by different color, chip size and chip position tolerance. The typical total divergence is the full angle measured where the luminous intensity is half of the peak value.**