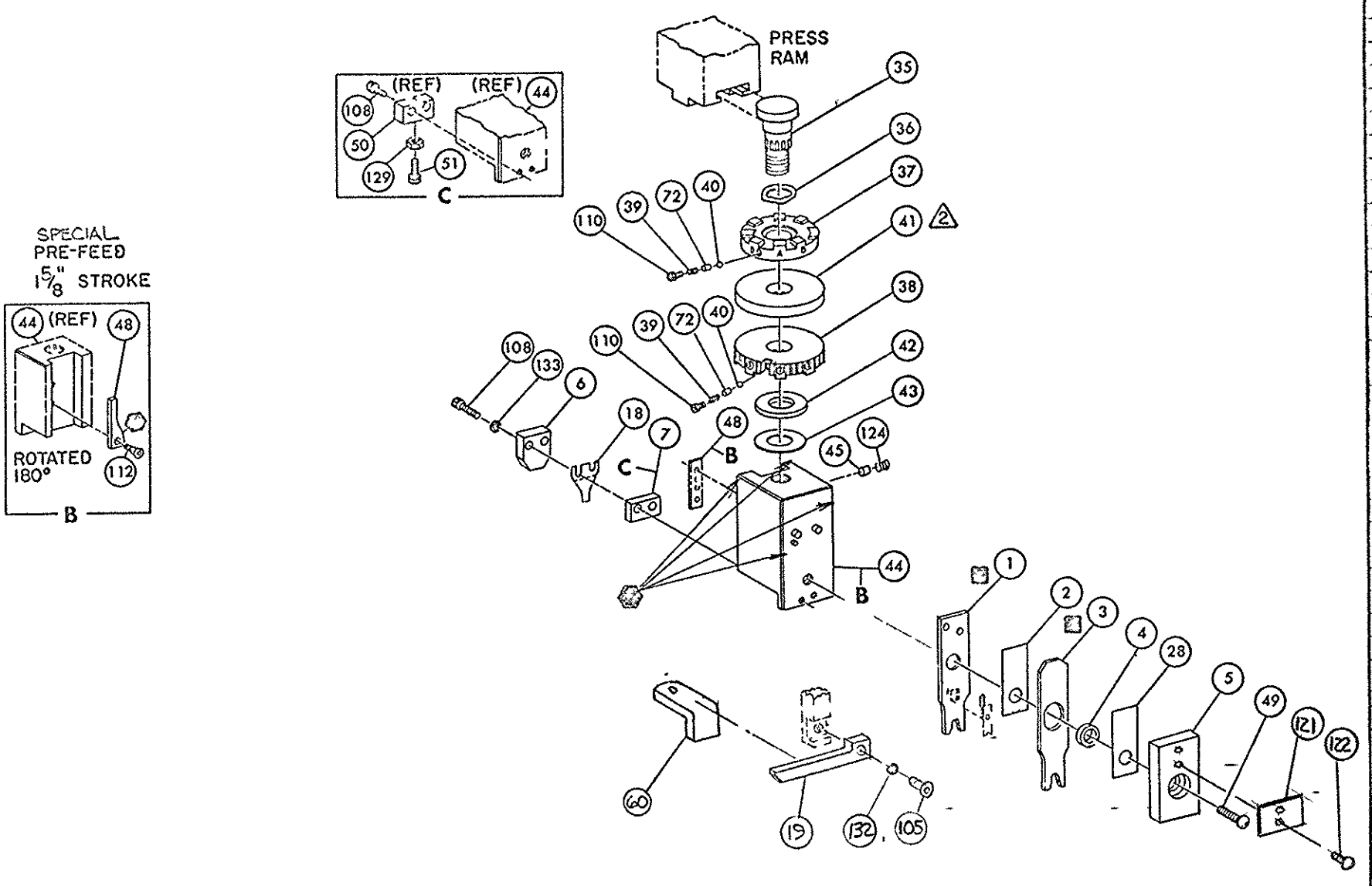
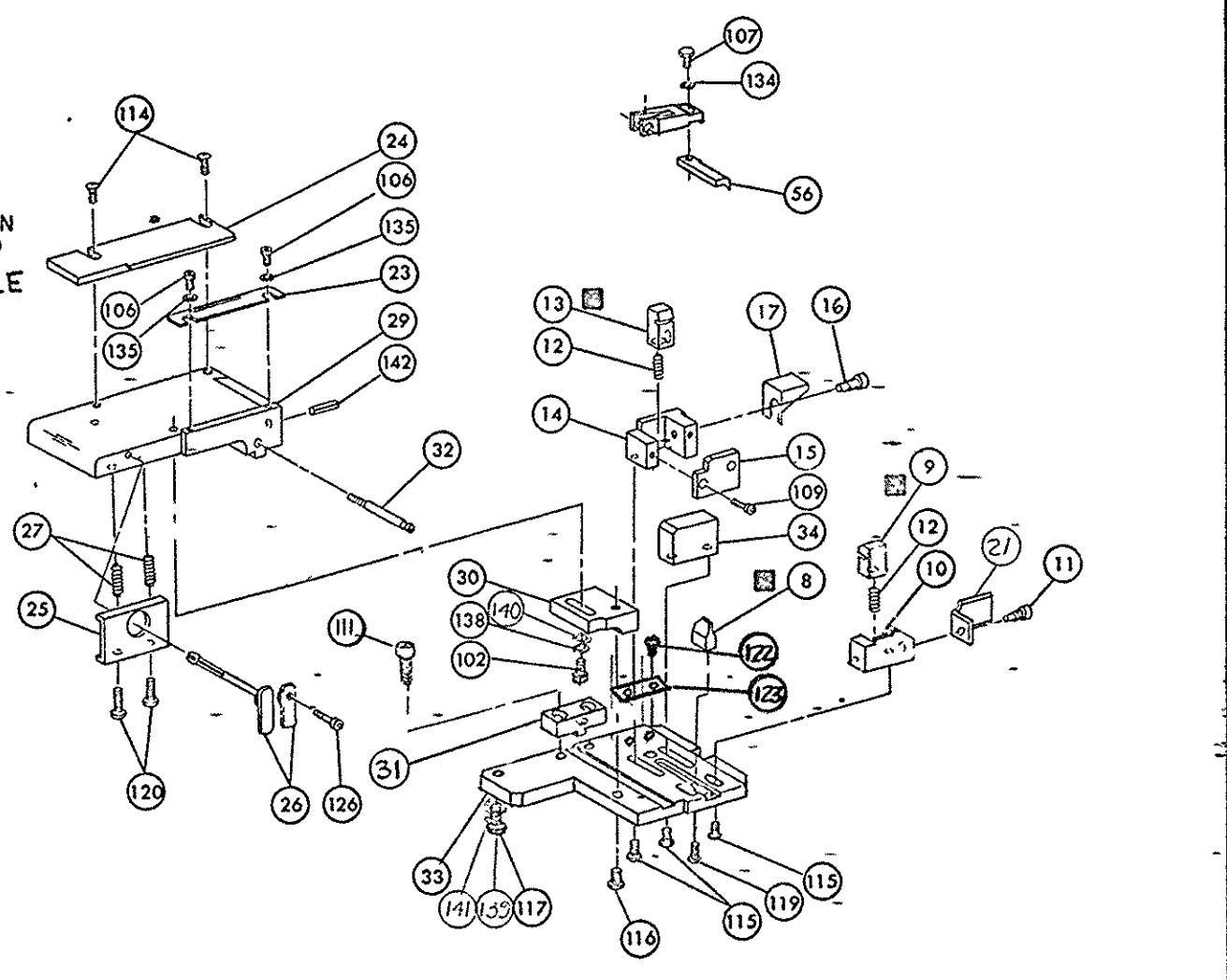


THIS IS A CONTROLLED DOCUMENT



- NOTES:
- 1- ONLY THE ITEMS WITH QUANTITIES SPECIFIED ON PARTS LIST ARE USED ON THIS APPLICATOR.
 - △ USED IN PLACE OF ITEM 38 WHEN INSULATION CRIMP IS NOT USED
 - 3- FEED PIVOT-BOTTOM HOLE
 - △ SEE REMARKS
 - △ SPARE TOOLING KIT 7-466963-7
- KEY:
- - RECOMMENDED SPARE PARTS
 - - GREASE WEEKLY



QTY	PART NO	DESCRIPTION	ITEM NO	QTY	PART NO	DESCRIPTION	ITEM NO
1	453615-1	PLATE, TERMINAL NO.	145				59
2	690701-2	PLATE, SERIAL NO.	144				58
1	4-21028-0	PIN, SLOT SPR (093 DIA X .75) STR G PLATE	142	REF	694433-8	PAWL FEED	56
1	21899-2	WASHER, FLAT (NO 10) MOUNTING	141				55
1	21899-2	WASHER, FLAT (NO 10) S. G. ADJ BLOCK	140				54
1	21024-5	WASHER, LOCK (NO 10) MOUNTING	139				53
1	21024-5	WASHER, LOCK (NO 10) STRIP GUIDE ADJ BLOCK	138				52
			137	1	811242-2	BUMPER, HOLDDOWN	51
			136	1	690753-1	SPACER, TONKER	50
2	21024-2	WASHER, LOCK (NO 4) FRONT STRIP GUIDE	135	1	7-21002-9	BOLT, CRIMPER (BUT. HD. 5/16x24UNF X 1.00)	49
REF	21024-4	WASHER, LOCK (NO 8) FEED FINGER	134	1	690602-6	CAM PRE FEED 1.62 STROKE	48
2	21024-4	WASHER, LOCK (NO 8) DEPRESSOR	133				47
REF	21024-4	WASHER, LOCK (NO 8) STRIPPER	132				46
			131	1	690191-1	PLUG, NYLON	45
			130	1	455673-3	RAM	44
1	21018-5	NUT, HEX MACH (6-32) HOLDDOWN	129	1	690125-1	WASHER, LAMINATED	43
			128	1	690124-1	WASHER, RAM	42
			127			DISC, SPACER	41
			126	2	23241-6	BALL, STEEL	40
			125	2	690170-1	SPRING, COMPRESSION	39
1	21009-2	SCR, SKT SET (1/4-20 X 25) (LOC-WEL) RAM	124	1	690142-1	DISC, INSULATION	38
1	690701-2	PLATE, SERIAL NO.	123	1	3-690692-2	DISC, WIRE	37
4	21017-2	SCR, DRIVE (#2 X .188 LG.)	122	1	22480-5	WASHER, SPRING	36
1	819347-1	PLATE, I.D.	121	1	690212-1	POST, RAM	35
2	5-21006-6	SCR, CAP, SKT HD (10-32 X .88) DRAG	120	1	692776-2	SUPPORT, TERMINAL	34
1	22733-8	SCR, BUT HD SKT CAP (8-32 X .38) (LOC-WEL) ANVIL	119	1	462544-1	PLATE, BASE SPECIAL	33
			118	1	690432-3	SCREW, ADJUSTMENT	32
1	3-21000-8	SCR, SOC HD SKT CAP (10-32 X .88) MOUNTING	117	1	462543-1	BLOCK, SCREW SPECIAL	31
1	2-21002-7	SCR, BUT HD SKT CAP (10-32 X 50) SG ADJ BLOCK	116	1	455689-1	BLOCK, STRIP GUIDE ADJ	30
2	2-21002-2	SCR, BUT HD SKT CAP (8-32 X 50) SHEAR	115	1	455671-8	PLATE, STRIP GUIDE	29
2	2-21002-2	SCR, BUT HD SKT CAP (8-32 X) R STRIP GUIDE	114	1	1-455888-0	SPACER, FRONT SHEAR DEPRESSOR	28
			113	2	1-22284-0	SPRING, DRAG	27
1	1-21002-7	SCR, BUT HD SKT CAP (6-32 X .50) CAM	112	1	690546-1	LEVER, DRAG RELEASE	26
2	2-21000-7	SCR, SKT HD CAP (8-32 X .50) SCR BLOCK	111	1	240792-1	DRAG, STOCK	25
2	23050-1	SCR, SKT HD CAP (6-32 X 25) (LOC WEL) CP DISC	110	1	6-690504-3	GUIDE STRIP (REAR)	24
			109	1	690438-1	GUIDE, STRIP (FRONT)	23
2	2-21000-7	SCR, SKT HD CAP (8-32 X) DEPRESSOR (REAR)	108				22
REF	2-21002-1	SCR, BUT HD MACH (8-32 X 38) FEED FINGER	107	1	463756-1	GUIDE, SCRAP	21
2	1-21000-3	SCR, SKT HD CAP (4 40 X 25) F STRIP GUIDE	106				20
REF	2-21002-1	SCR, BUT HD CAP (8-32 X .38) STRIPPER	105	REF	462615-1	STRIPPER	19
			104			HOLDER, TERMINAL	18
			103			GUARD, CHIP (REAR)	17
1	3-22603-1	SCR, HEX HD CAP (10-32 X .38) SG ADJ BLOCK	102			STOP, SHEAR (REAR)	16
			101			PLATE, SHEAR (REAR)	15
			79			HOLDER, SHEAR (REAR)	14
			78			SHEAR, FLOAT (REAR)	13
2	463310-8	BLADE STRIPPING (#26)	77	1	3-22280-3	SPRING, SHEAR	12
			76	1	690461-2	STOP, SHEAR (FRONT)	11
			75	1	462548-1	HOLDER, SHEAR (FRONT) SPECIAL	10
			74	1	462547-1	SHEAR, FLOAT (FRONT) SPECIAL	9
			73	1	4-458834-9	ANVIL	8
2	690603-1	SPRING, ASSIST	72			SPACER, DEPRESSOR (REAR)	7
			71			DEPRESSOR, SHEAR (REAR)	6
			70	1	462838-4	DEPRESSOR, SHEAR (FRONT) SPECIAL	5
			69	1	2-238011-0	SPACER, TUBULAR, INS CRIMPER	4
			68	1	5-456135-7	CRIMPER, INSULATION	3
			67	1	455888-4	SPACER, CRIMPER	2
			66	1	456401-5	CRIMPER, WIRE	1

VISIBLE CRIMPING DATA				APPLICATOR WILL APPLY	
PAD LTR	CRIMP HEIGHT	WIRE SIZE	WIRE STRIP LENGTH	PIN	SOCKET
A	.026±.001	28			
B					
C	.032±.001	24		66682	66683
D	.029±.001	26			

CRIMP	SIZE	TYPE	FEED	APPL INST
WIRE	.042	F	.300	A1
INSUL	.062	O		

WIRE RANGE: 28-26 △ INSULATION RANGE: .030-.060 PRESS NO: 463345-1

REMARKS: △ WIRE SIZE #24 ONLY WHEN APPLIED BY APPL. ENG.

SIM - 466758

AMP INCORPORATED

466963-1