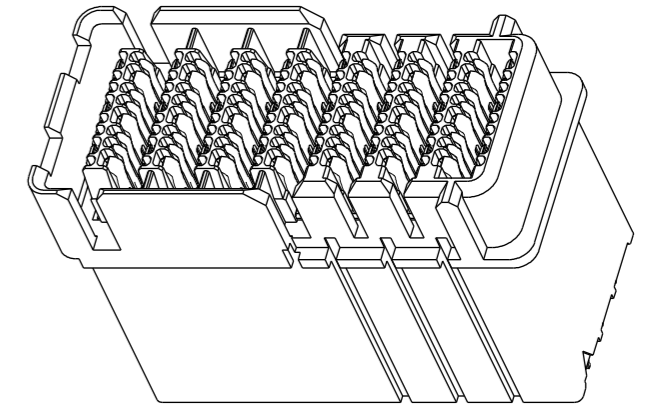
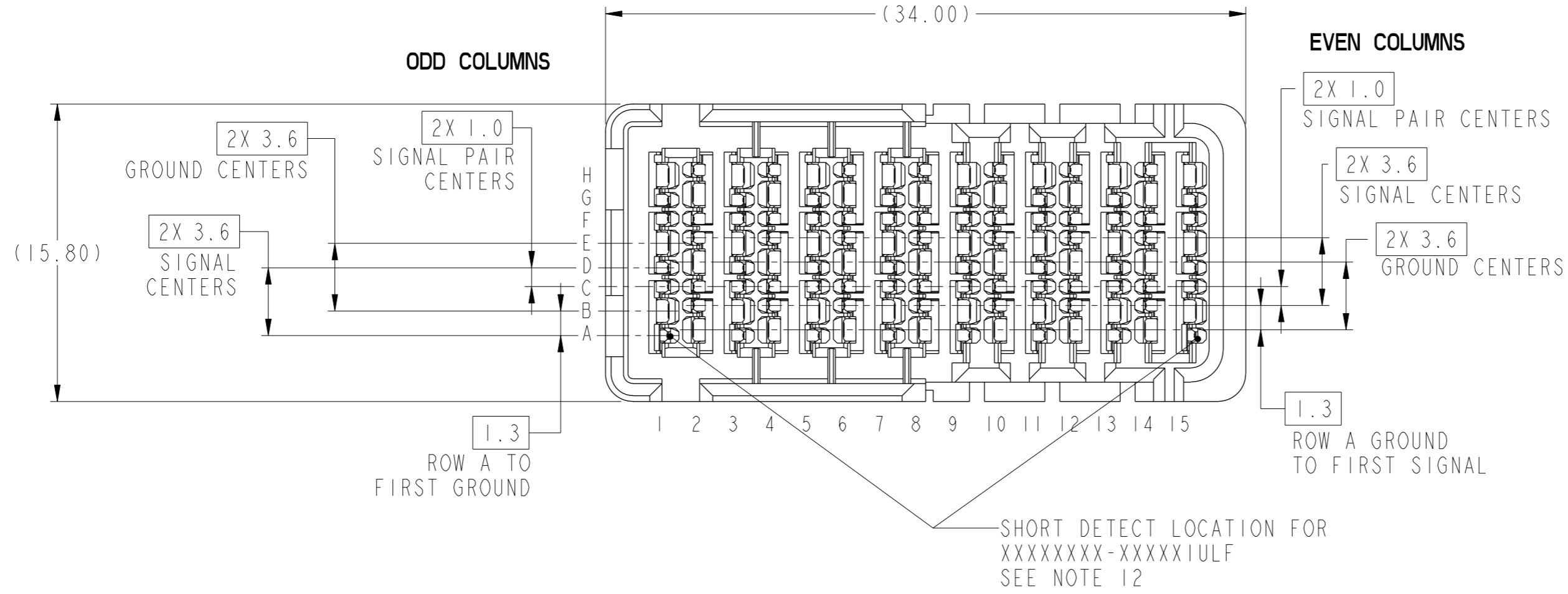
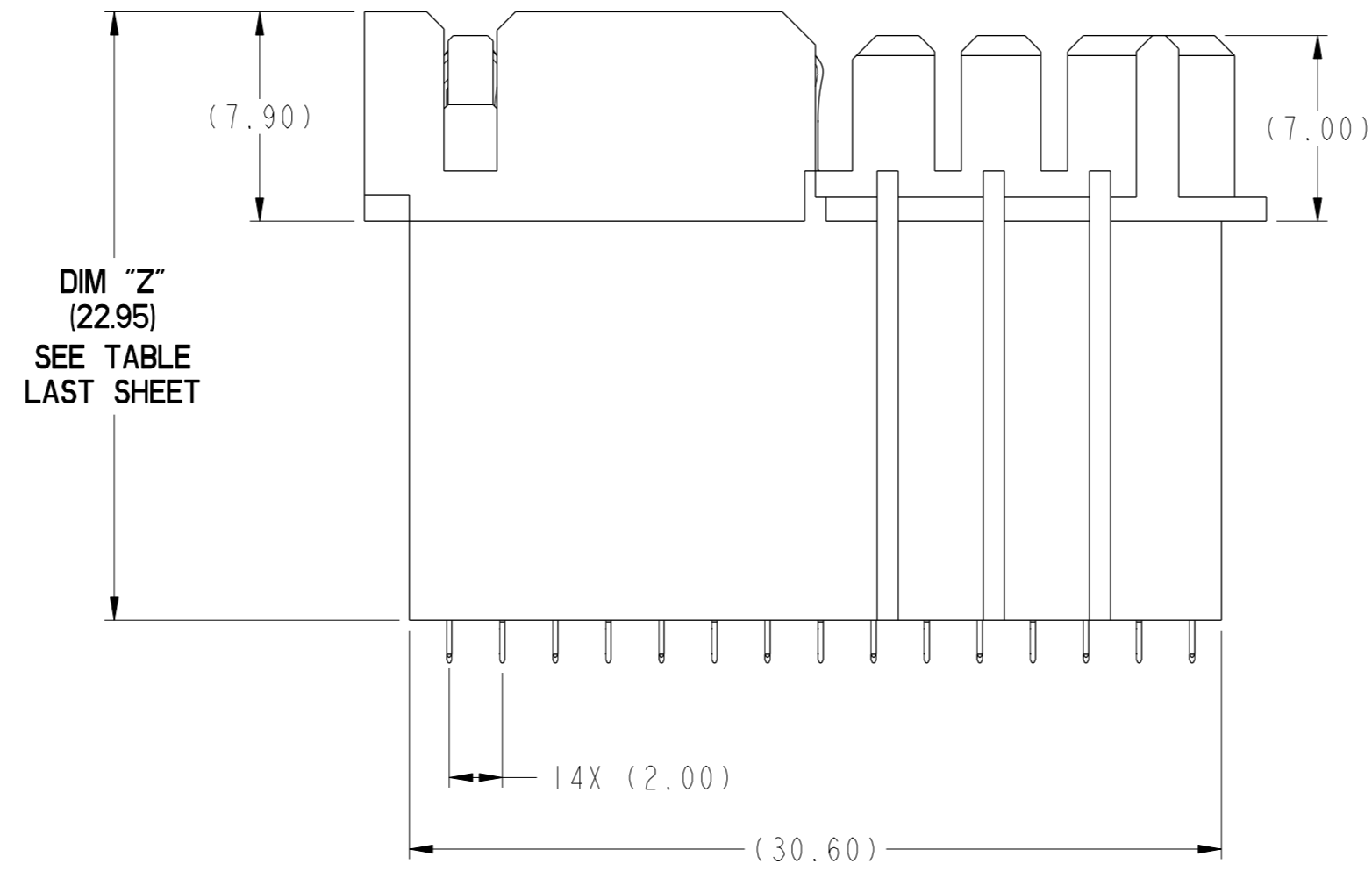
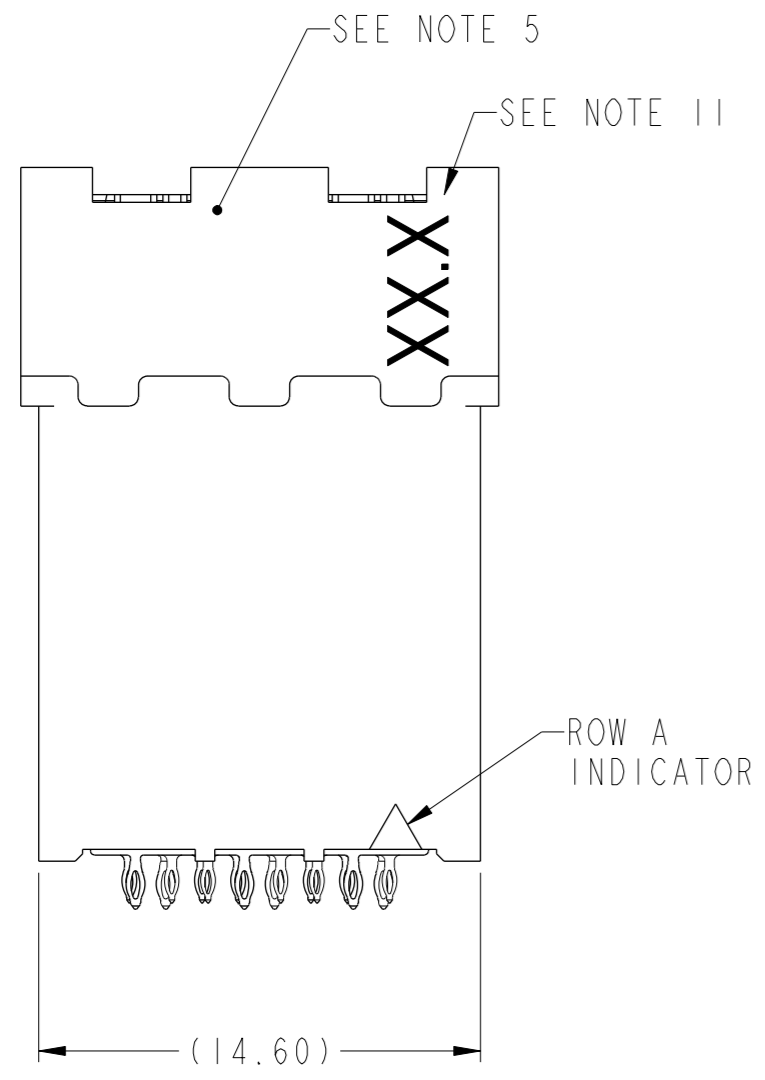


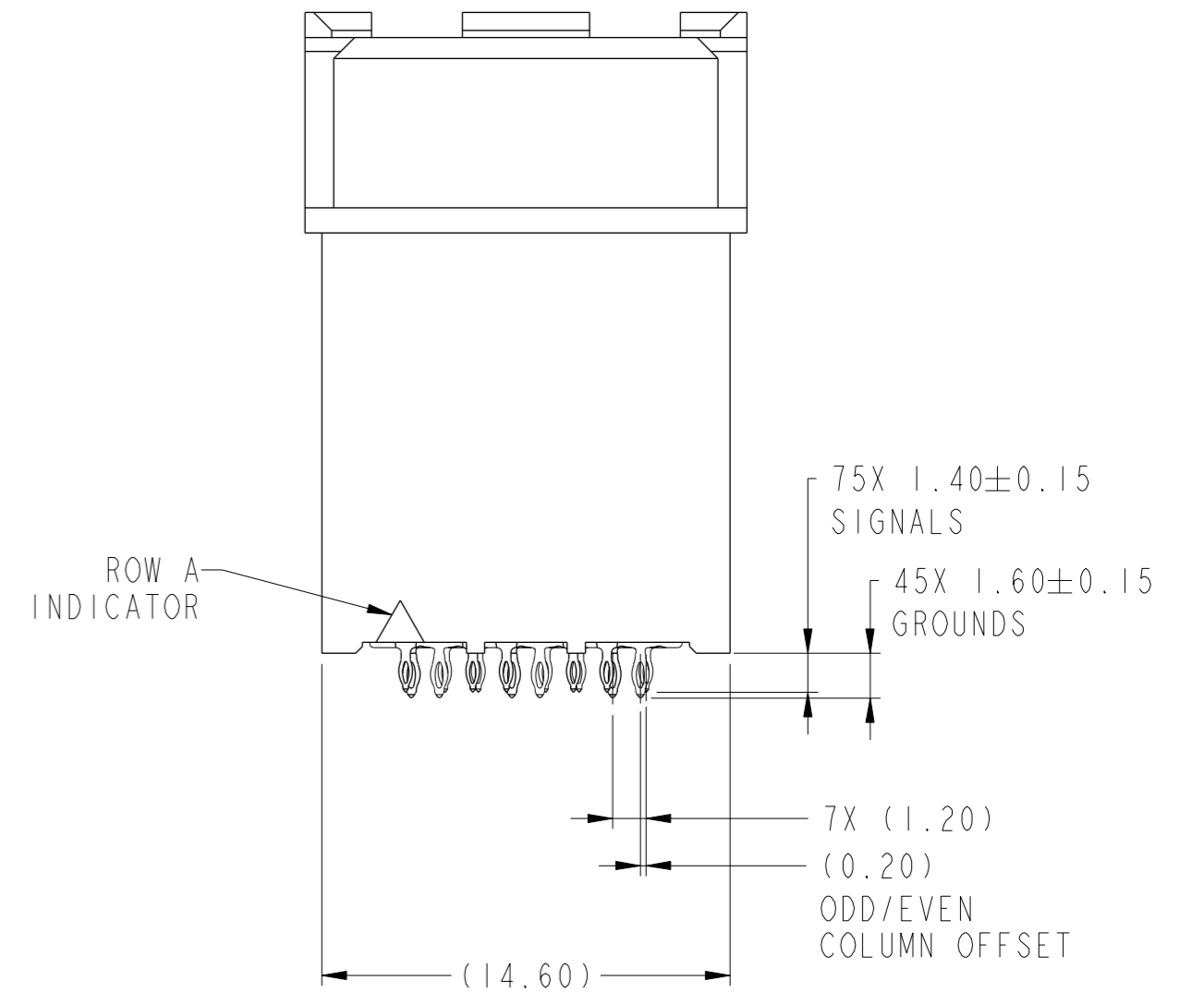
PRODUCT NUMBERS SEE TABLE ON LAST SHEET



SCALE 2:1



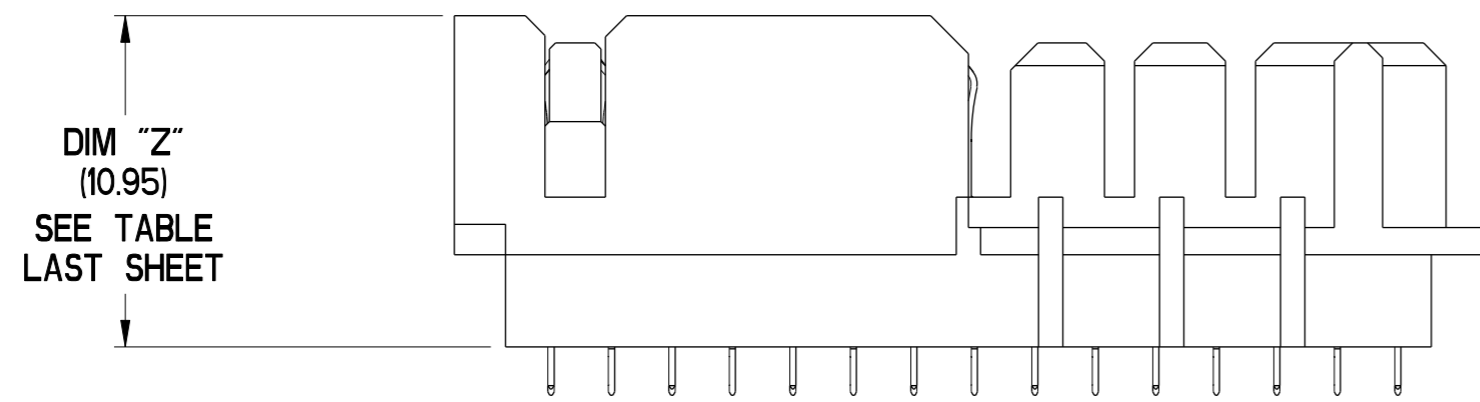
10128481 -119500ULF SHOWN
SCALE 4:1



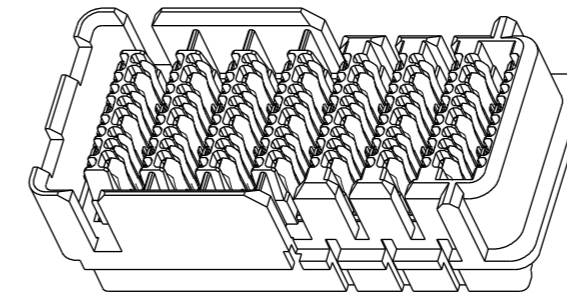
spec ref	SEE NOTES	dr	M. LAUERMANN	2014-02-13	projection	mm	size	A2	scale	4:1													
tolerance std	TOLERANCES UNLESS OTHERWISE SPECIFIED	eng	M. LAUERMANN	2014-02-13			ecn no	rel level	In Work	rev													
ASME Y14.5M		chr	M. LAUERMANN	2014-02-13																			
		appr	M. LAUERMANN	2014-02-13																			
surface	<table border="1"> <tr> <td>linear</td> <td>0.X</td> <td>±0.3</td> </tr> <tr> <td></td> <td>0.XX</td> <td>±0.10</td> </tr> <tr> <td></td> <td>0.XXX</td> <td>±0.05</td> </tr> <tr> <td>ASME Y14.5M</td> <td>angular</td> <td>0°</td> <td>±2°</td> </tr> </table>	linear	0.X	±0.3		0.XX	±0.10		0.XXX	±0.05	ASME Y14.5M	angular	0°	±2°			product family	ExaMEZZ	title ExaMEZZ CONNECTOR ASSEMBLY HERMAPHRODITIC, 2 PAIR, 15 IMLA		cat. no. SEE TABLE	Product - Customer Drw	sheet 1 of 4
linear	0.X	±0.3																					
	0.XX	±0.10																					
	0.XXX	±0.05																					
ASME Y14.5M	angular	0°	±2°																				



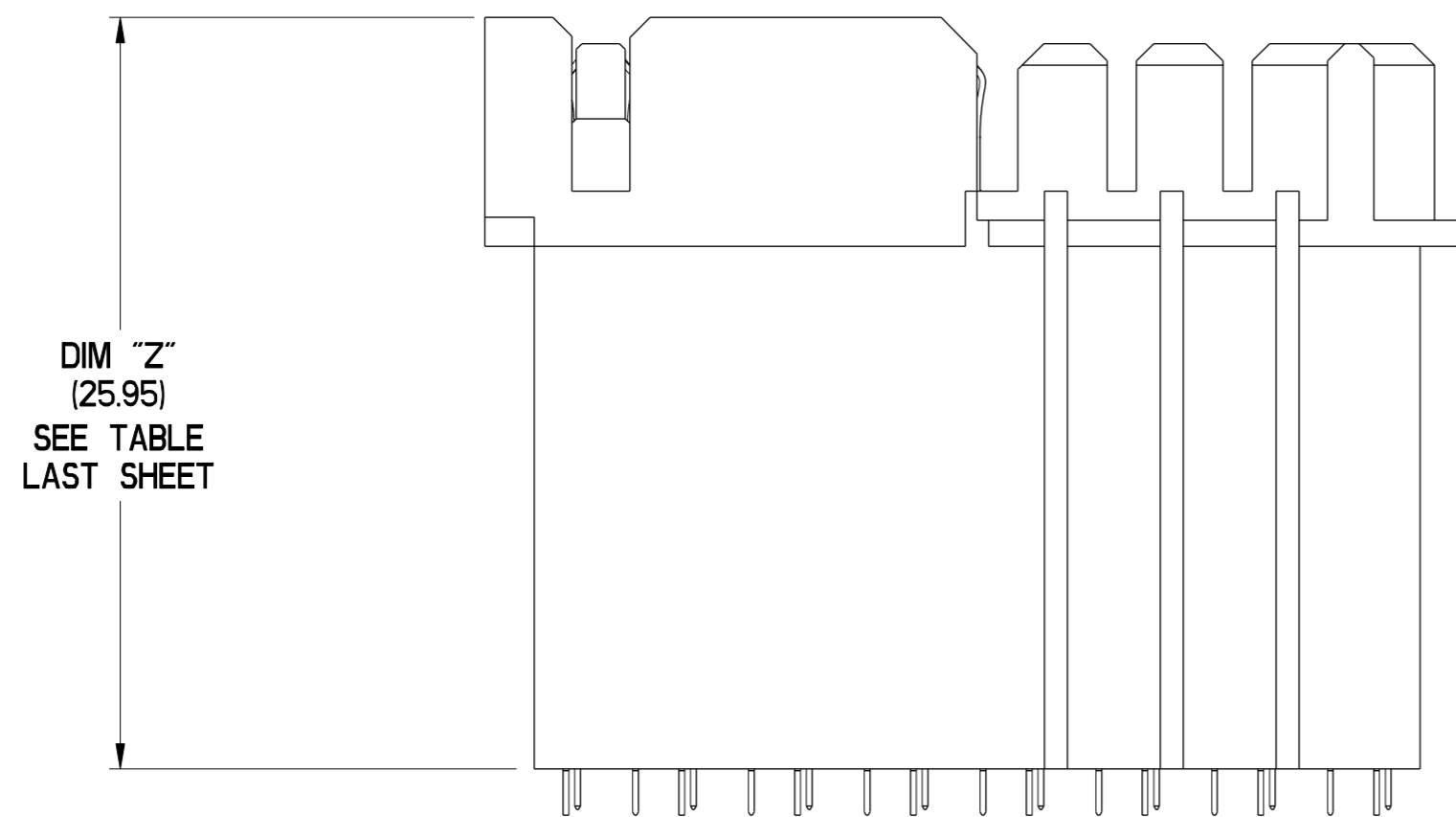
Copyright FCI.



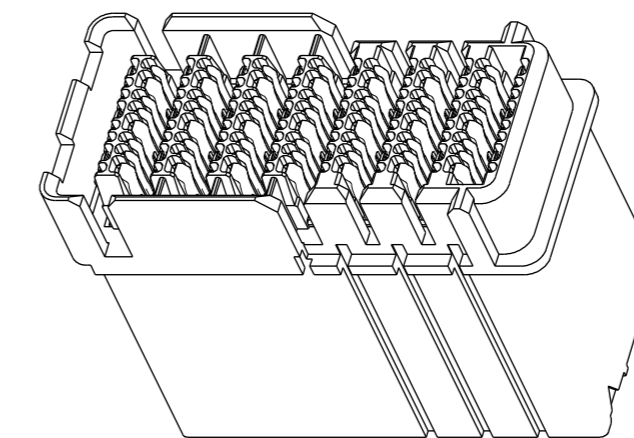
SHORTEST HEIGHT
10128481-107500ULF SHOWN
 SCALE 4:1



SCALE 2:1



TALLEST HEIGHT
10128481-122500ULF SHOWN
 SCALE 4:1

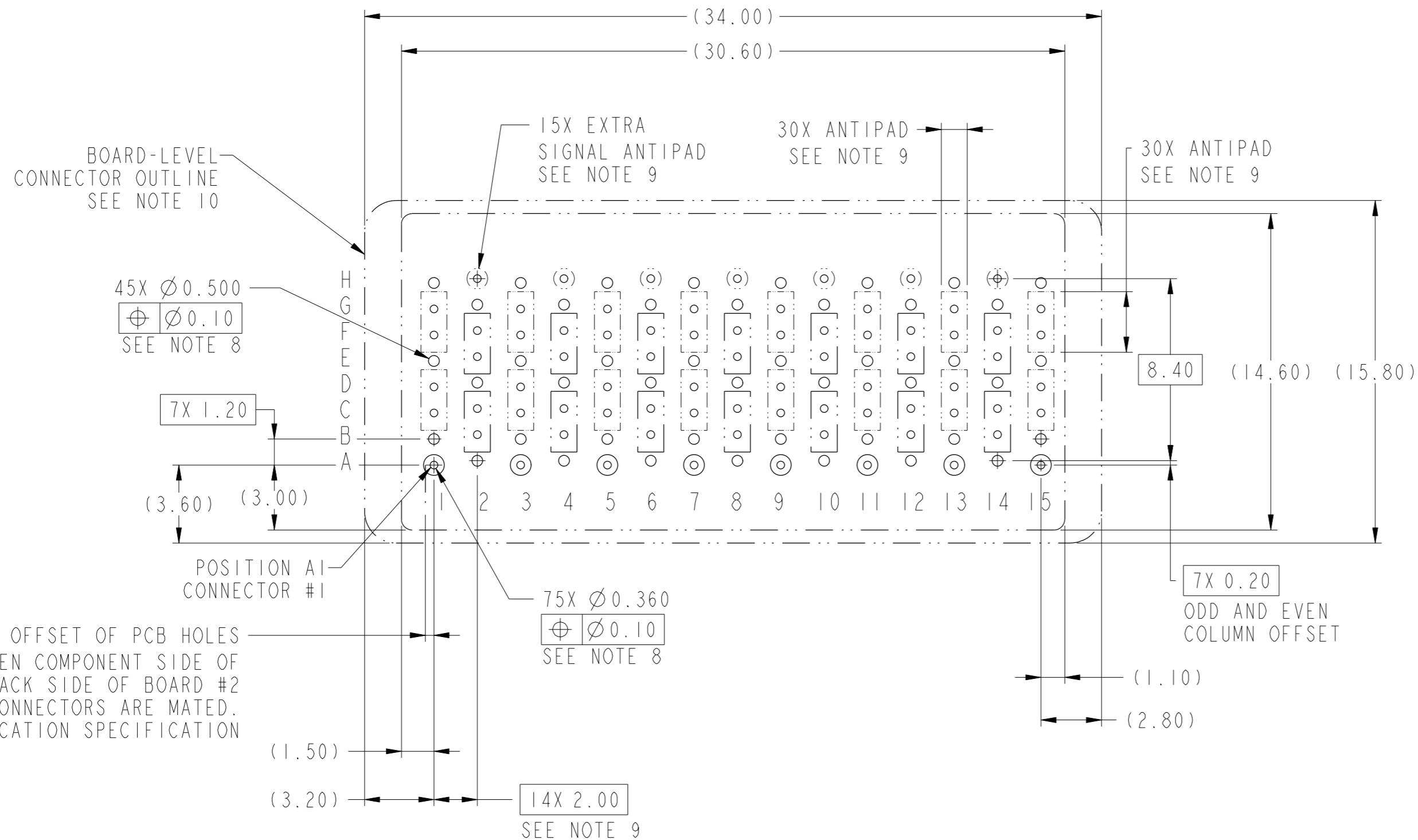


SCALE 2:1

spec ref	SEE NOTES	dr	M. LAUERMANN	2014-02-13	projection	mm	size	A2	scale	4:1					
tolerance std	TOLERANCES UNLESS OTHERWISE SPECIFIED	eng	M. LAUERMANN	2014-02-13			ecn no	rel level	In Work	rev					
ASME Y14.5M		chr	M. LAUERMANN	2014-02-13											
surface		linear	appr	M. LAUERMANN							2014-02-13	product family	ExaMEZZ	10128481	6
			0.X	±0.3											
ASME Y14.5M	angular	0°	±2°	www.fci.com	cat. no.	SEE TABLE	Product - Customer Drw	sheet 2 of 4							

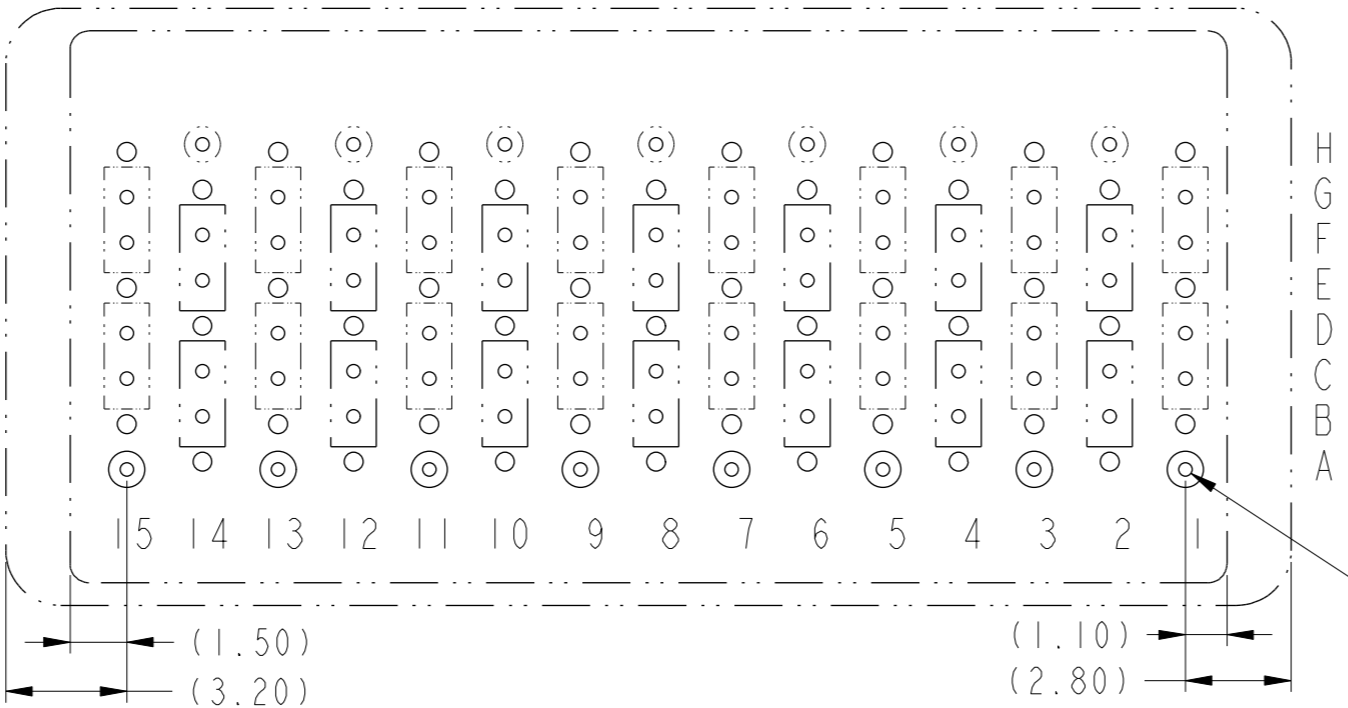


Copyright FCI.



**BOARD FOOTPRINT
CONNECTOR #1
COMPONENT SIDE**

**10128481-XXXXXXULF
RECOMMENDED PCB LAYOUT
SCALE 5:1**



**BOARD FOOTPRINT
CONNECTOR #2 (MATING CONNECTOR)
(SAME FOOTPRINT, DIFFERENT A1 LOCATION)
COMPONENT SIDE**

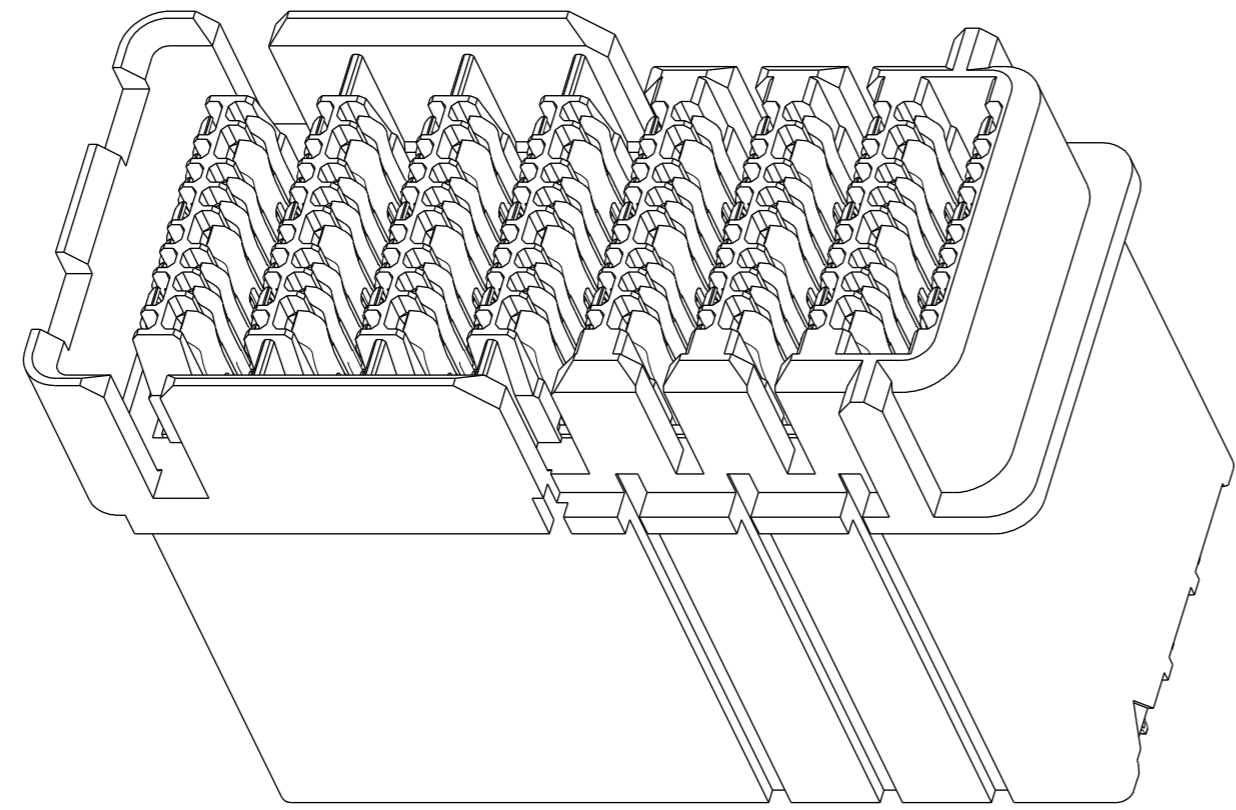
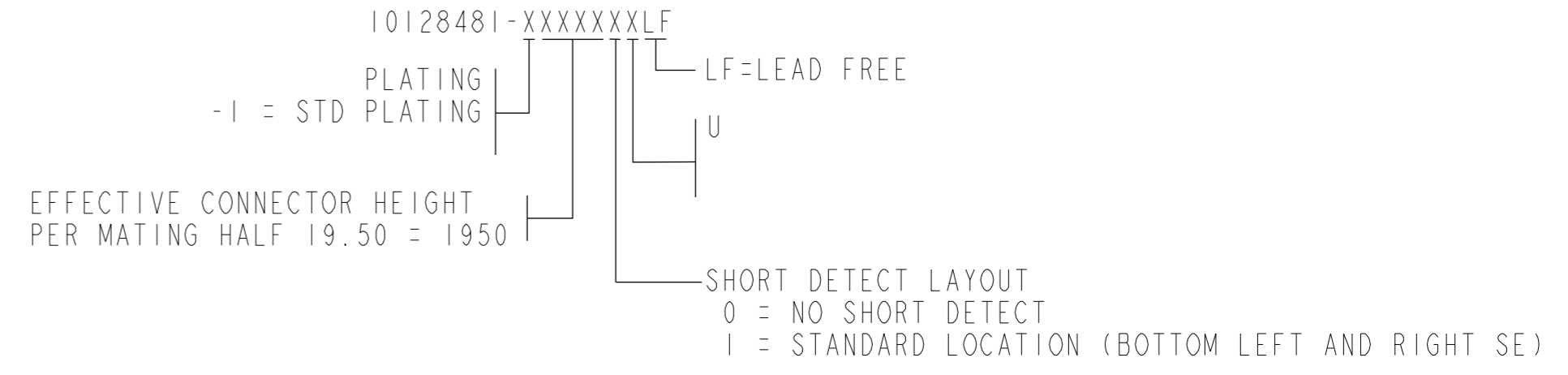
spec ref	SEE NOTES	dr	M. LAUERMANN	2014-02-13	projection	mm	size	A2	scale	4:1
tolerance std	TOLERANCES UNLESS OTHERWISE SPECIFIED	eng	M. LAUERMANN	2014-02-13			ecn no	rel level	In Work	rev
ASME Y14.5M		chr	M. LAUERMANN	2014-02-13						
		appr	M. LAUERMANN	2014-02-13						
surface	linear	0.X	±0.3		product family		ExaMEZZ	title ExaMEZZ CONNECTOR ASSEMBLY HERMAPHRODITIC, 2 PAIR, 15 IMLA		10128481
		0.XX	±0.10		cat. no.	SEE TABLE	Product - Customer Drw	sheet 3 of 4		
ASME Y14.5M	angular	0.0XX	±0.05							
		0.xxx	±0.05							
		0°	±2°							

Copyright FCI.

- 1 - CONNECTOR MATERIALS:
HOUSING: HIGH TEMP THERMOPLASTIC, NATURAL, UL94-V0
IMLA PLASTIC: HIGH TEMP THERMOPLASTIC, BLACK, UL94-V0
CONTACT: COPPER ALLOY
- 2 - CONTACT PLATING:
SEPARABLE INTERFACE:
PERFORMANCE-BASED PLATING, QUALIFIED TO MEET THE REQUIREMENTS OF FCI PRODUCT SPECIFICATION GS-12-1150 INCLUDING TELCORDIA GR-1217-CORE (NOVEMBER 1995) CENTRAL OFFICE TEST SEQUENCE.

PRESS-FIT TAILS:
TIN OVER NICKEL (LEAD-FREE)
- 3 - PRODUCT SPECIFICATION: GS-12-1150
- 4 - APPLICATION SPECIFICATION: GS-20-0373
- 5 - PRODUCT MARKING (PART NUMBER & LOT CODE) ON THIS SURFACE.
- 6 - LEAD FREE PRODUCT MEETS THE EUROPEAN UNION DIRECTIVES & OTHER COUNTRY REGULATIONS AS DESCRIBED IN GS-47-0004.
- 7 - PACKAGING MEETS GS-14-920 LEAD FREE LABELING SPECIFICATION.
- 8 - REFER TO CUSTOMER DRAWING 10119933 FOR INFORMATION ON PCB HOLE DIAMETERS AND PLATING OPTIONS
- 9 - PLEASE REFER TO THE APPLICATION SPECIFICATION FOR TRACE ROUTING EXAMPLES THAT INCLUDE DIMENSIONS FOR ANTIPADS, TRACE WIDTHS, TRACE SPACINGS, ETC.
- 10 - CONNECTOR OUTLINE MAY BE SCREEN PRINTED ONTO CUSTOMER PCB TO BE USED AS A GUIDE FOR MANUAL CONNECTOR PLACEMENT.
- 11 - PRODUCT STACK HEIGHT (7.5, 19.5, ETC.) LASER MARKED ON THIS SURFACE.
- 12 - THE SHORT DETECT CONNECTOR (WHEN MATED WITH A NON-SHORT DETECT CONNECTOR) WILL PROVIDE CONTACTS THAT MATE 1.00mm AFTER THE REMAINDER OF STANDARD LENGTH SIGNAL AND GROUND CONTACTS MATE. NEVER MATE A SHORT DETECT CONNECTOR WITH ANOTHER SHORT DETECT CONNECTOR.
- 13. THE HOUSING WILL WITHSTAND EXPOSURE TO 260 °C FOR 10-30 SECONDS IN A CONVECTION, INFRA-RED, OR VAPOR PHASE REFLOW OVEN.

PRODUCT NUMBER	STACK HEIGHT EACH SIDE	DIM "Z"	SHORT DETECTS	TOOLED
10128481-107500ULF	7.5 mm	10.95	NO	YES
10128481-107501ULF	7.5 mm	10.95	YES	NO
10128481-110500ULF	10.5 mm	13.95	NO	NO
10128481-110501ULF	10.5 mm	13.95	YES	NO
10128481-112500ULF	12.5 mm	15.95	NO	YES
10128481-112501ULF	12.5 mm	15.95	YES	NO
10128481-113500ULF	13.5 mm	16.95	NO	NO
10128481-113501ULF	13.5 mm	16.95	YES	NO
10128481-117500ULF	17.5 mm	20.95	NO	NO
10128481-117501ULF	17.5 mm	20.95	YES	NO
10128481-119500ULF	19.5 mm	22.95	NO	YES
10128481-119501ULF	19.5 mm	22.95	YES	YES
10128481-122500ULF	22.5 mm	25.95	NO	YES
10128481-122501ULF	22.5 mm	25.95	YES	NO



spec ref	SEE NOTES	dr	M. LAUERMANN	2014-02-13	projection	mm	size	A2	scale	4:1
tolerance std	TOLERANCES UNLESS OTHERWISE SPECIFIED	eng	M. LAUERMANN	2014-02-13			ecn no	rel level	In Work	rev
ASME Y14.5M		chr	M. LAUERMANN	2014-02-13						
surface		linear	0.X	±0.3						
		angular	0°	±2°						
ASME Y14.5M	appr	M. LAUERMANN	2014-02-13	product family	ExaMEZZ	10128481	6			
		www.fci.com		cat. no.	SEE TABLE	Product - Customer Drw	sheet 4 of 4			

Copyright FCI. FCI