

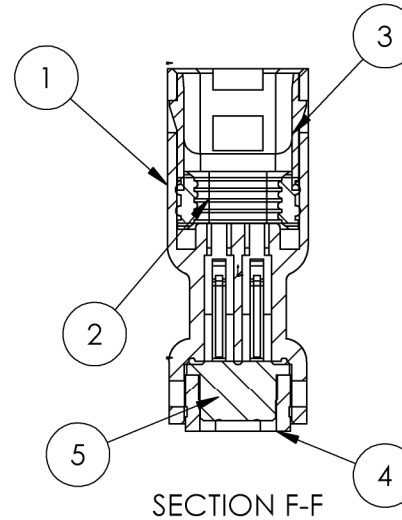
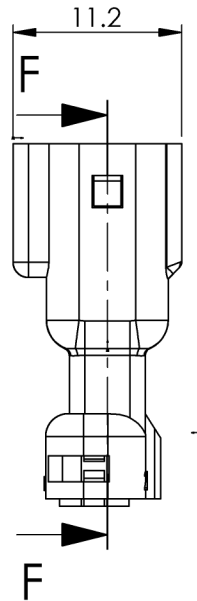
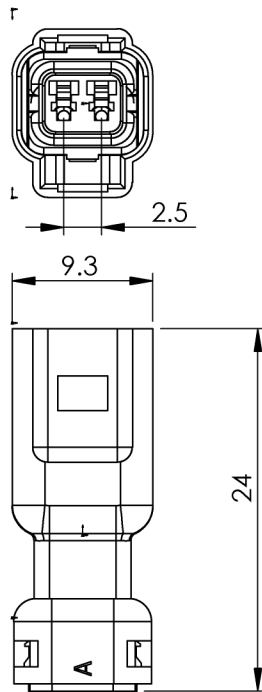
THIS IS A C.A.D. GENERATED DRAWING
DO NOT MAKE MANUAL REVISIONS TO MASTER



ISSUE NUMBER

ORIGINAL

①

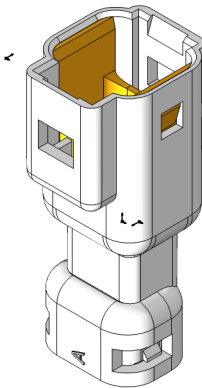


MATERIALS:

1. HOUSING: PBT, UL94V-0, WHITE COLOR
2. INSULATOR: PBT, UL94V-0, WHITE COLOR
3. WIRE-HOUSING SEAL: SILICON RUBBER

SPECIFICATIONS

1. PITCH: 2.5MM
1. RATED VOLTAGE: 250V
2. RATED CURRENT: 3A MAX
3. WITHSTAND VOLTAGE: AC 1000V R.M.S.
4. CONTACT RESISTANCE: 15 mOHMS MAX
5. INSULATION RESISTANCE: 1000 MOHMS MIN/DC 500V
6. TEMPERATURE RANGE: -40°C ~ +105°C
7. WATERPROOF GRADE: TESTED AND CERTIFIED TO IP67



ITEM NO.	DESCRIPTION	QTY.
1	MALE-HOUSING-2POS	1
2	INTERNAL-WIRE-SEAL-2POS	1
3	FACIAL-SEAL-2POS	1
4	INSULATOR-2POS	1
5	REAR-GASKET-2POS	1

Waterproof Connector, Insulator, Male, White,
2Pin (20-22AWG)
560-002-000-111

ACAD REFERENCE NO. 560-002-000-111

DRAWN: R.STA.MONICA DATE: NOV.06/15

CHECKED: DATE:

SCALE: NOT TO SCALE SHEET 1 OF 1

DRAWING NUMBER ISSUE

560-002-000-111

1



THIS SERIES FULLY CONFORMS TO THE
EUROPEAN UNION DIRECTIVES
2011/65/EU FOR RoHS COMPLIANCY

EDAC EDAC INC
TORONTO, ONTARIO
CANADA
YOUR CONNECTION TO QUALITY & SERVICE

THESE DRAWINGS AND SPECIFICATIONS
ARE THE PROPERTY OF EDAC INC. AND
SHALL NOT BE REPRODUCED, OR COPIED
OR USED AS THE BASIS FOR THE
MANUFACTURE OR SALE OF APPARATUS
WITHOUT WRITTEN PERMISSION.