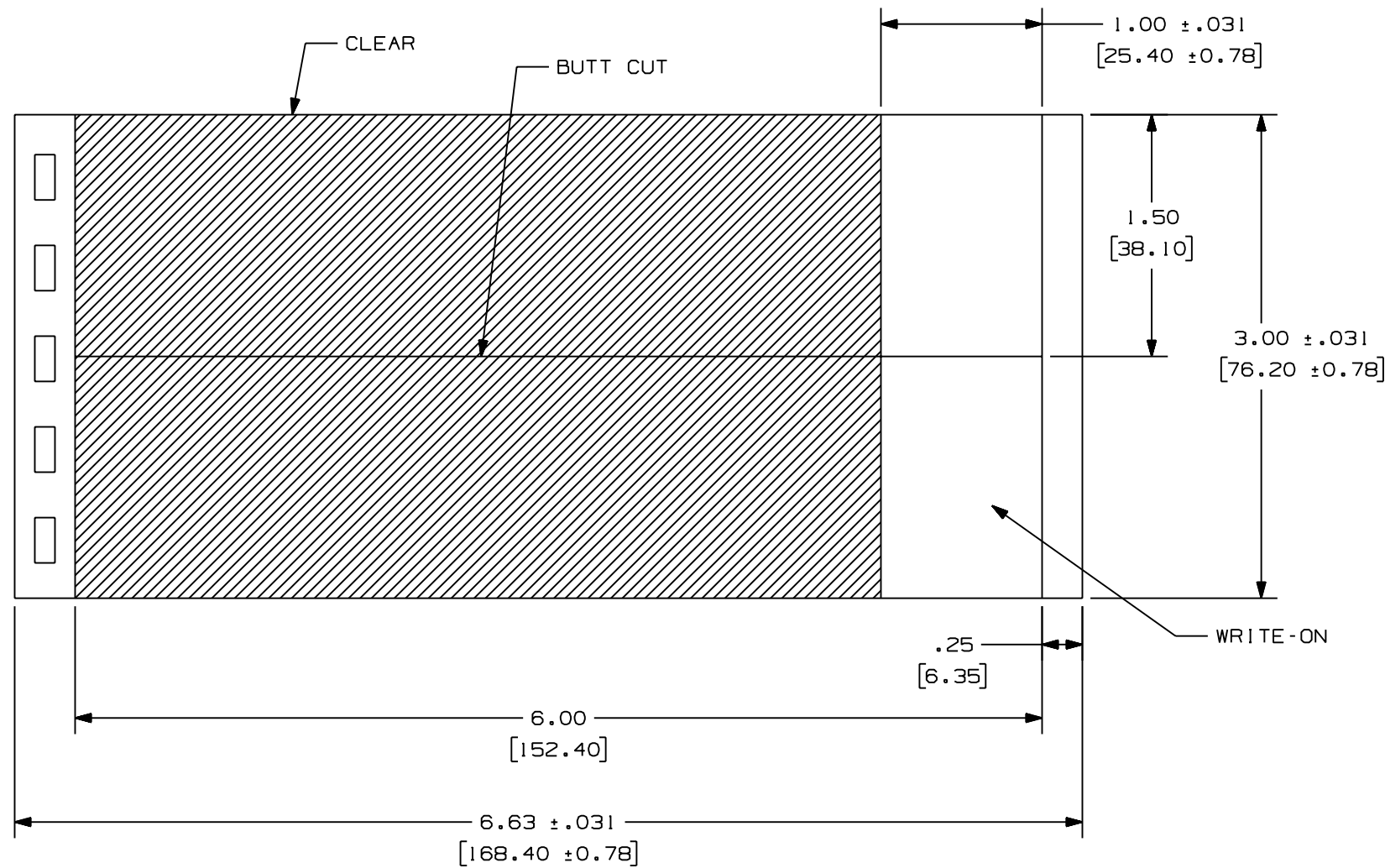


TABLE 1				
PART NO.	MATERIAL	WRITE-ON AREA	LABELS PER SHEET	SHEETS PER BOOK
PSCB-16	GMV3	WHITE	2	10
PSCB-16Y	GMV3	WHITE	2	10

* COMBINATION PKG:
2 BLACK, 2 BLUE, 2 GREEN, 2 RED, 2 YELLOW



NOTES:
1. SEE MFG. DWG. NO. A60324.
2. DIMENSION IN [] ARE IN MILLIMETERS.

CAD FILENAME/LAYERS 100619CL_C10368_PSCB_00.prt

PANDUIT CORP TINLEY PARK, ILLINOIS
CUSTOMER DRAWING
PSCB-16, PSCB-16Y
1.50" X 6.00" LABEL

UNLESS OTHERWISE SPECIFIED,
DIMENSIONAL TOLERANCES ARE:
(.X) ± .031 (.XXX) ± .010
(.XX) ± .015 ANGLES ±

UNLESS OTHERWISE SPECIFIED,
ALL DIMENSIONS ARE GIVEN IN
INCHES, THIRD ANGLE PROJECTION

REV	DATE	BY	CHK	DESCRIPTION	ECN	R	CUST	SUP
O	6-7-06	RVU		RELEASE TO PRODUCTION.	4542	R		
A	8-18-05	RVU		ENGINEERING RELEASE	0000	R		

DRAWN BY MSA	MAT'L: SEE TABLE 1	SCALE NTS
DATE 8-18-05		DRAWING NO. C10368
CHK'D		DWG B SIZE