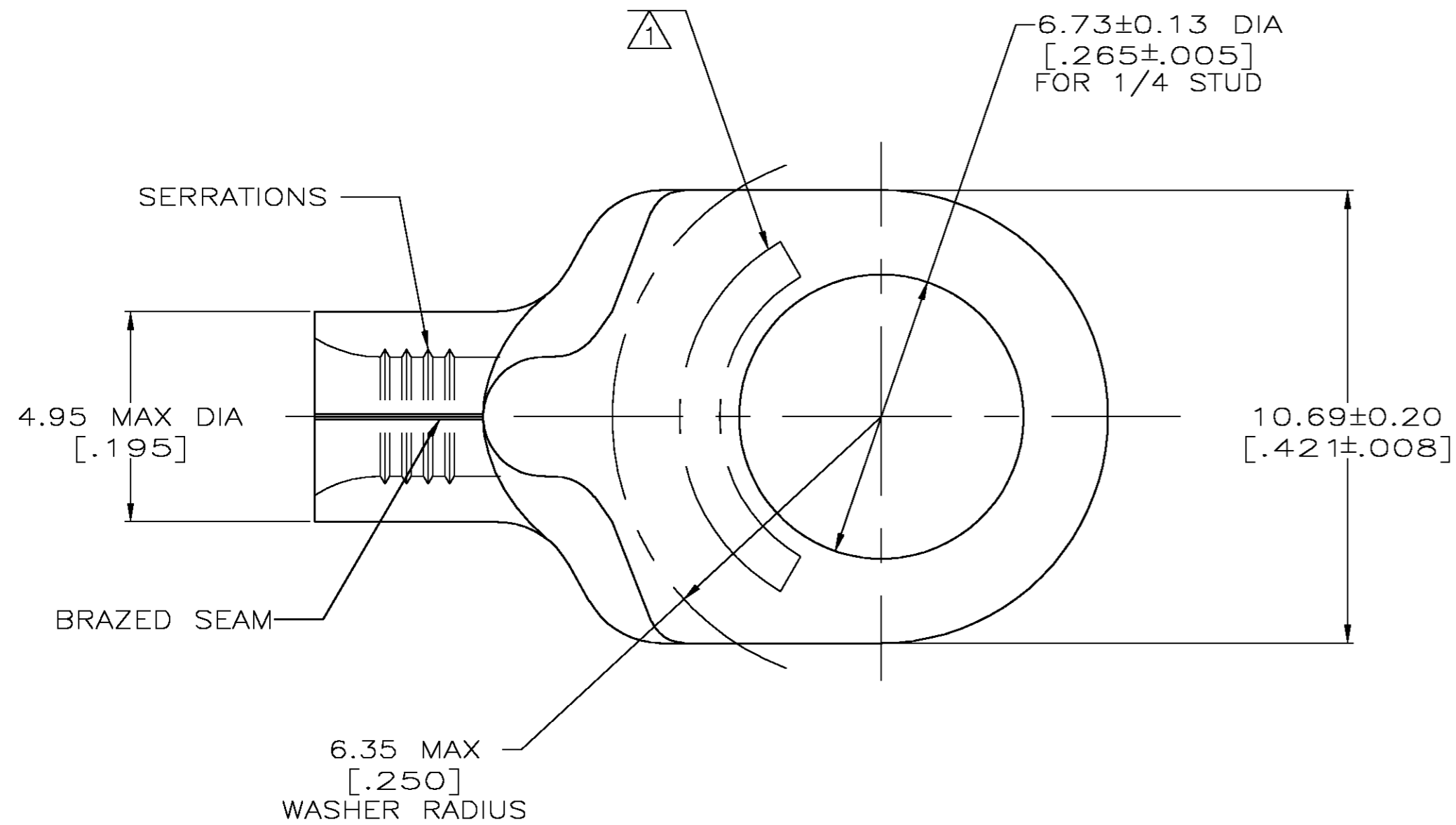


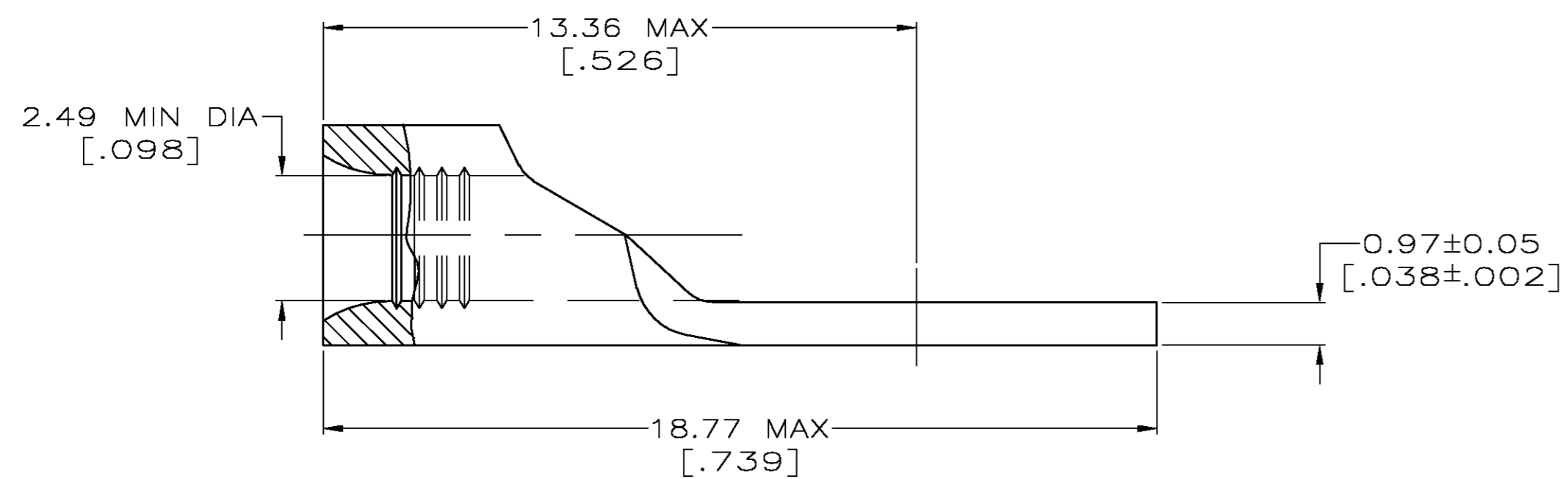
THIS DRAWING IS UNPUBLISHED. RELEASED FOR PUBLICATION  
 © COPYRIGHT BY TYCO ELECTRONICS CORPORATION. ALL RIGHTS RESERVED.

LOC	DIST	REVISIONS					
G	14	P	LTR	DESCRIPTION	DATE	DWN	APVD
		E		REV PER OG3A-0140-03	03MAR03	JR	MS



<b>AMP</b> WIRE RANGE	Listed FILE E13288	LR7189 Certified
14-12 AWG SOLID OR STRANDED	14-12 AWG STRANDED	14-12 AWG SOLID OR STRANDED

- ① STAMP AMP 14-12\* APPROX AS SHOWN
- ② MATERIAL: COPPER PER ASTM B-152, ANNEALED
- ③ FINISH: 0.00254 [.000100] MIN THK TIN PER ASTM B-545



5000	ON TAPE, REEL	34487-2
-	LOOSE PIECE	34487
QTY	PACKAGE TYPE	PART NO

<b>AMP INCORPORATED CUSTOMER SERVICE SYSTEMS</b>		MAX RECOMMENDED OPERATING TEMPERATURE: 170° C
FOR ADDITIONAL PRODUCT INFORMATION OR COPIES OF DRAWINGS AND TECHNICAL DOCUMENTS	PRODUCT INFORMATION CENTER 1-800-522-6752	VOLTAGE RATING: N/A
FOR APPLICATION TOOLING INFORMATION	TOOLING ASSISTANCE CENTER 1-800-722-1111	CIRCULAR MIL AREA: 1.85-4.17mm <sup>2</sup> [3,260-8,230] SOLID OR STRANDED
FOR ORDER ENTRY	1-800-526-5142	THIS DRAWING IS A CONTROLLED DOCUMENT FOR AMP INCORPORATED. IT IS SUBJECT TO CHANGE AND THE CONTROLLING ENGINEERING ORGANIZATION SHOULD BE CONTACTED FOR THE LATEST REVISION.

THIS DRAWING IS A CONTROLLED DOCUMENT.		DWN TA BRINKMAN 3-17-93	<b>tyco</b> Electronics Tyco Electronics Corporation Harrisburg, PA 17105	
DIMENSIONS: INCHES		CHK DA PATTERSON 3-17-93	NAME J MECKLEY	
TOLERANCES UNLESS OTHERWISE SPECIFIED:		APVD J MECKLEY 3-17-93	PRODUCT SPEC	
0 PLC ± -		APPLICATION SPEC		
1 PLC ± -		WEIGHT		
2 PLC ± -		SIZE A2		
3 PLC ± -		CAGE CODE 00779		
4 PLC ± -		DRAWING NO C=34487		
ANGLES ± -		RESTRICTED TO		
FINISH		SCALE 8:1		
MATERIAL		SHEET 1 OF 1		
②		REV E		
③		CUSTOMER DRAWING		

34487