

## DETAILS

<b>Product Number</b>	CA11974_LAURA-RS
<b>Family</b>	Laura
<b>Type</b>	Assembly
<b>Color</b>	black
<b>Diameter</b>	21,6 x 21,6 mm
<b>Height</b>	12,9 mm
<b>Style</b>	square
<b>Optic Material</b>	PMMA
<b>Holder Material</b>	
<b>Fastening</b>	tape
<b>Status</b>	production ready
<b>ROHS Compliant</b>	Yes
<b>Date Updated</b>	24/09/2015

## OPTICAL PROPERTIES

LED	Viewing	Light	Effi-	cd/lm	Connector
	Angle	Beam	ciency		
NCSxx19A	8 deg	Real spot	91 %	-	-
NVSxx19A	8 deg	Real spot	91 %	-	-



D

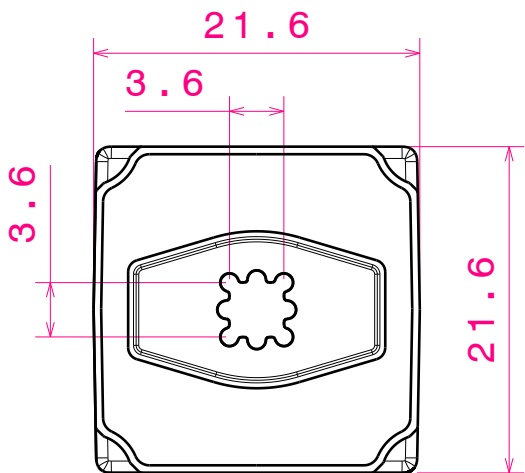
C

B

A

4

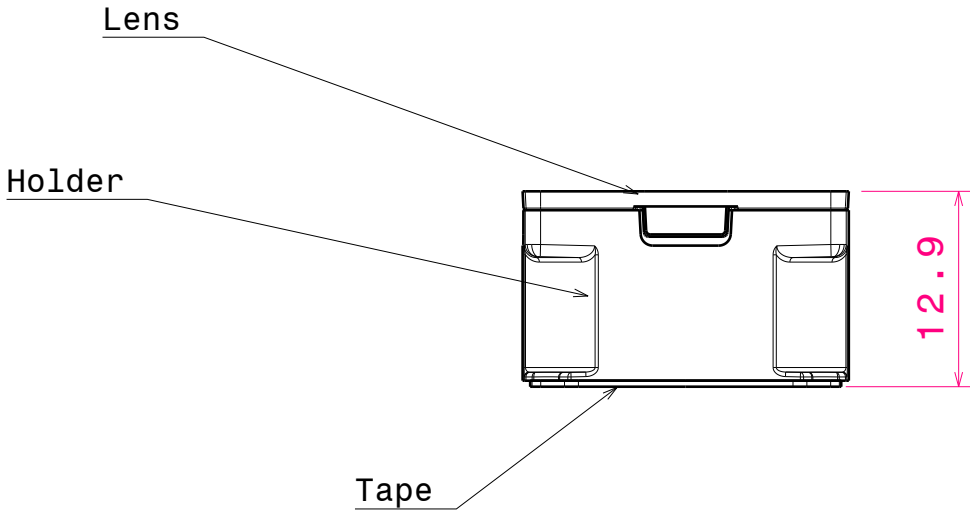
4



Bottom view

3

3



Front view

2

2

Materials  
 lens: PMMA  
 holder: PC, black  
 Tape: PU Foam

1

1

This drawing is our property.  
 It can't be reproduced  
 or communicated without  
 our written agreement.



L  
T  
F  
F

e  
e  
i  
i

N  
n

d  
h

DRAWING TITLE

Datasheet Assy Laura-N19-tape

DRAWN BY  
p

DATE  
12.08.2010

CHECKED BY  
t k

DATE  
04.06.2010

SIZE A4

DRAWING NUMBER -

REV 1

DESIGNED BY  
hh

DATE  
15.04.2010

SCALE 2:1

WEIGHT (g)

SHEET 1/1

D

A

**NOTE: The typical divergence will be changed by different color, chip size and chip position tolerance. The typical total divergence is the full angle measured where the luminous intensity is half of the peak value.**