

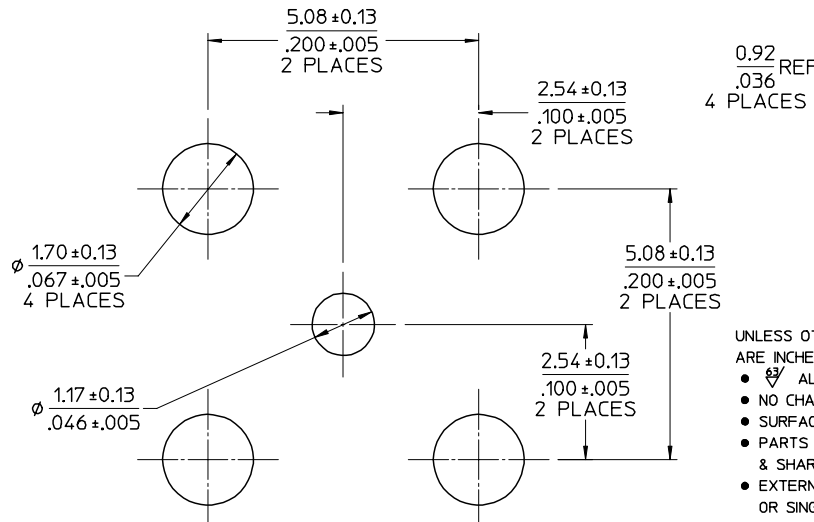
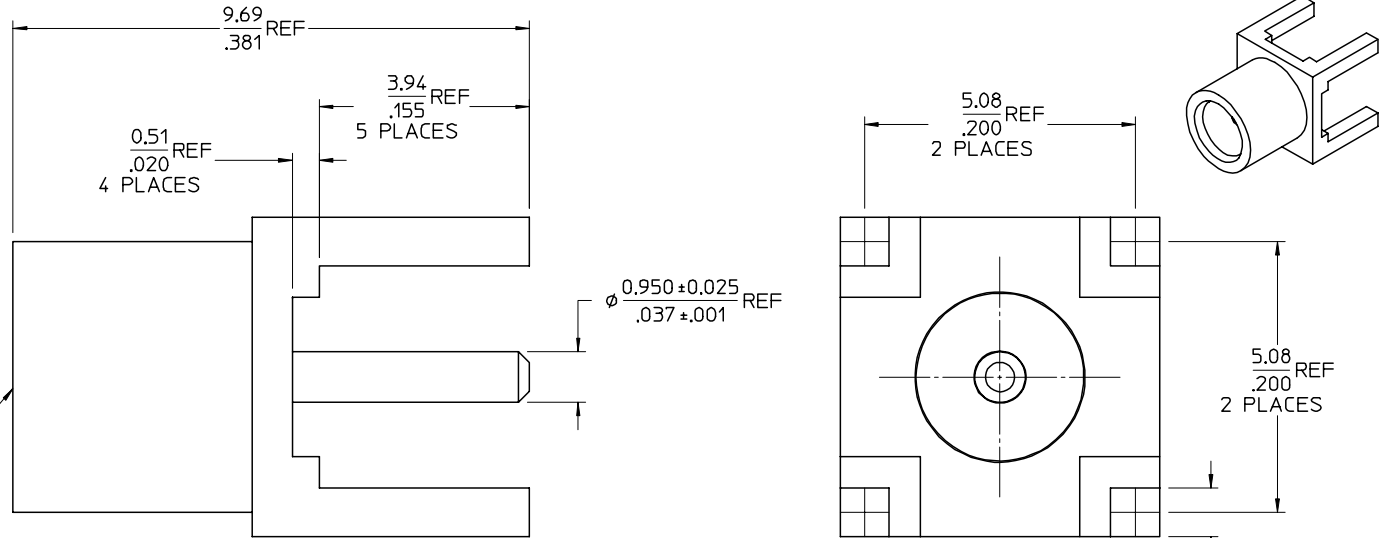
MATERIALS AND FINISHES

BODY BRASS
PLATED GOLD

CENTER CONTACT BERYLLIUM COPPER
PLATED GOLD

INSULATOR TEFLON

MCX JACK
INTERFACE



- UNLESS OTHERWISE SPECIFIED DIMS ARE INCHES AND ANGLES ARE DEGREES.
- \sqrt{R} ALL OVER.
 - NO CHATTER OR NON-UNIFORM
 - SURFACE FINISH ALLOWED.
 - PARTS TO BE FREE OF BURRS & SHARP EDGES .005 MAX BREAK.
 - EXTERNAL THREADS TO BE ROLLED OR SINGLE POINT.
 - DIAMETERS TO BE CONCENTRIC WITHIN .003 TIR.

PART # 73415-3510

RECOMMENDED HOLE PATTERN

CHG: NEW RELEASE	EC NO. URF-1977
REDREW IN SOLID	DRWN: TEF 01/26/04
DESIGNER FORMAT	CHK: SSS 01/26/04
ALL DIMENSIONS CHANGED	APPR: GMH 01/26/04
FROM IN/MM TO MM/IN	CHG: XXX
ADDED ISOMETRIC VIEW	EC NO. URF-XXXX
REMOVED ALL GENERAL	DRWN: XXX 00/00/00
TOLERANCES	CHK: XXX 00/00/00
DIM 3.94 REF 5 PLCS WAS 3.94	APPR: SSS 00/00/00
DIM 0.51 REF 4 PLCS WAS 0.51	CHG: XXX 00/00/00

QUALITY SYMBOLS	DESCRIPTION
▽-0	
∇-0	

GENERAL TOLERANCES (UNLESS SPECIFIED)	SCALE 15:1	DESIGN UNITS INCH
4 PLACES ± --- ± ---	DIMENSION STYLE IN/MM	THIRD ANGLE PROJECTION
3 PLACES ± --- ± ---	DRAWN BY DATE	REVISE ON CAD ONLY
2 PLACES ± --- ± ---	CHECKED BY DATE	
1 PLACE ± --- ± ---	SSS 2001/07/03	
ANGULAR ±1/2°	APPROVED BY DATE	
DRAFT WHERE APPLICABLE	GMH 2001/06/27	
MUST REMAIN WITHIN DIMENSIONS		

TITLE	MATERIAL NO.	DOCUMENT NO.	SHEET NO.
MCX JACK PCB 75 OHM MCX-J/PCB		SD-73415-351	1 OF 1

MOLEX INCORPORATED	
THIS DRAWING CONTAINS INFORMATION THAT IS PROPRIETARY TO MOLEX INCORPORATED AND SHOULD NOT BE USED WITHOUT WRITTEN PERMISSION	