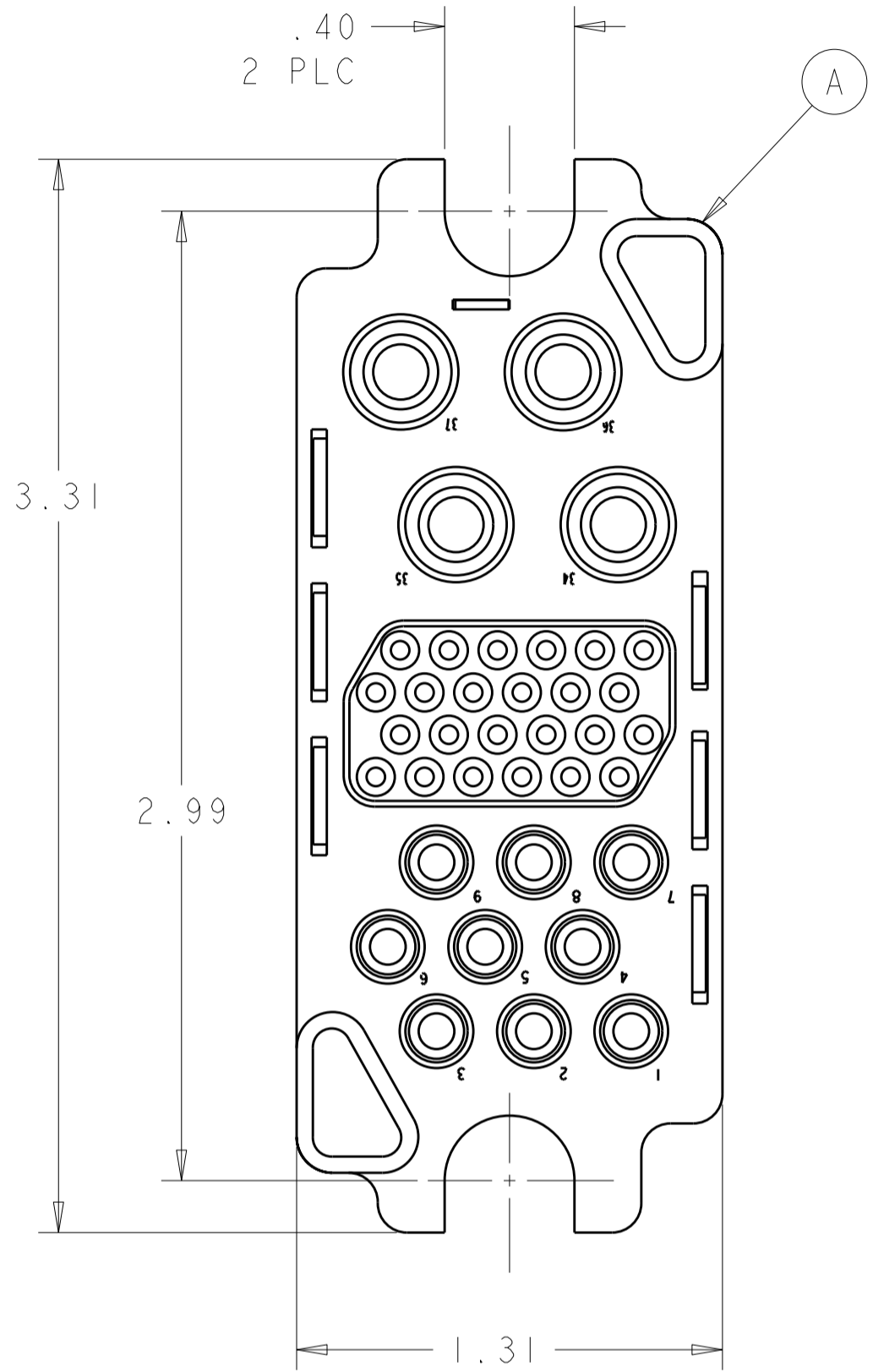
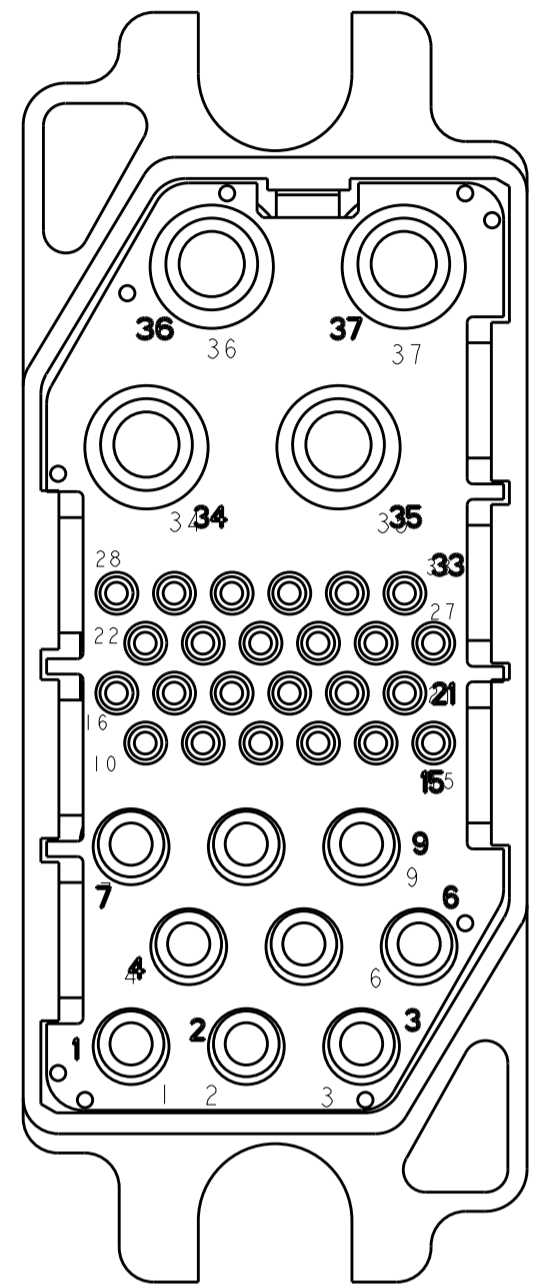
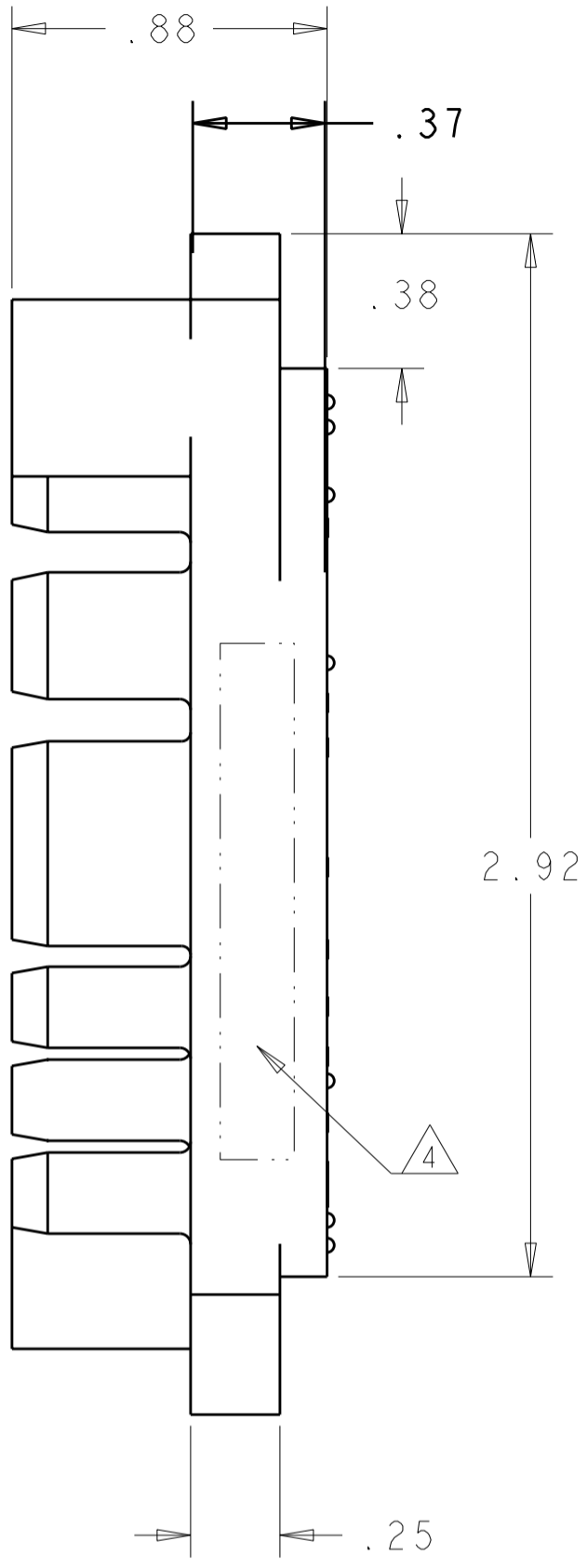


THIS DRAWING IS UNPUBLISHED. RELEASED FOR PUBLICATION 20
 © COPYRIGHT 20 BY TYCO ELECTRONICS CORPORATION. ALL RIGHTS RESERVED.

LOC	DIST	REVISIONS					
GP	00	P	LTR	DESCRIPTION	DATE	DWN	APVD
		A		RELEASED	05APR06	RG	MP
		B		REV PER ECO-08-024926	09OCT2008	CR	DO



FRONT VIEW



REAR VIEW

SOCKET CONTACT, (B)
 SIZE #8

SOCKET CONTACT, (C)
 SIZE #20

SOCKET CONTACT, (D) (E)
 SIZE #12

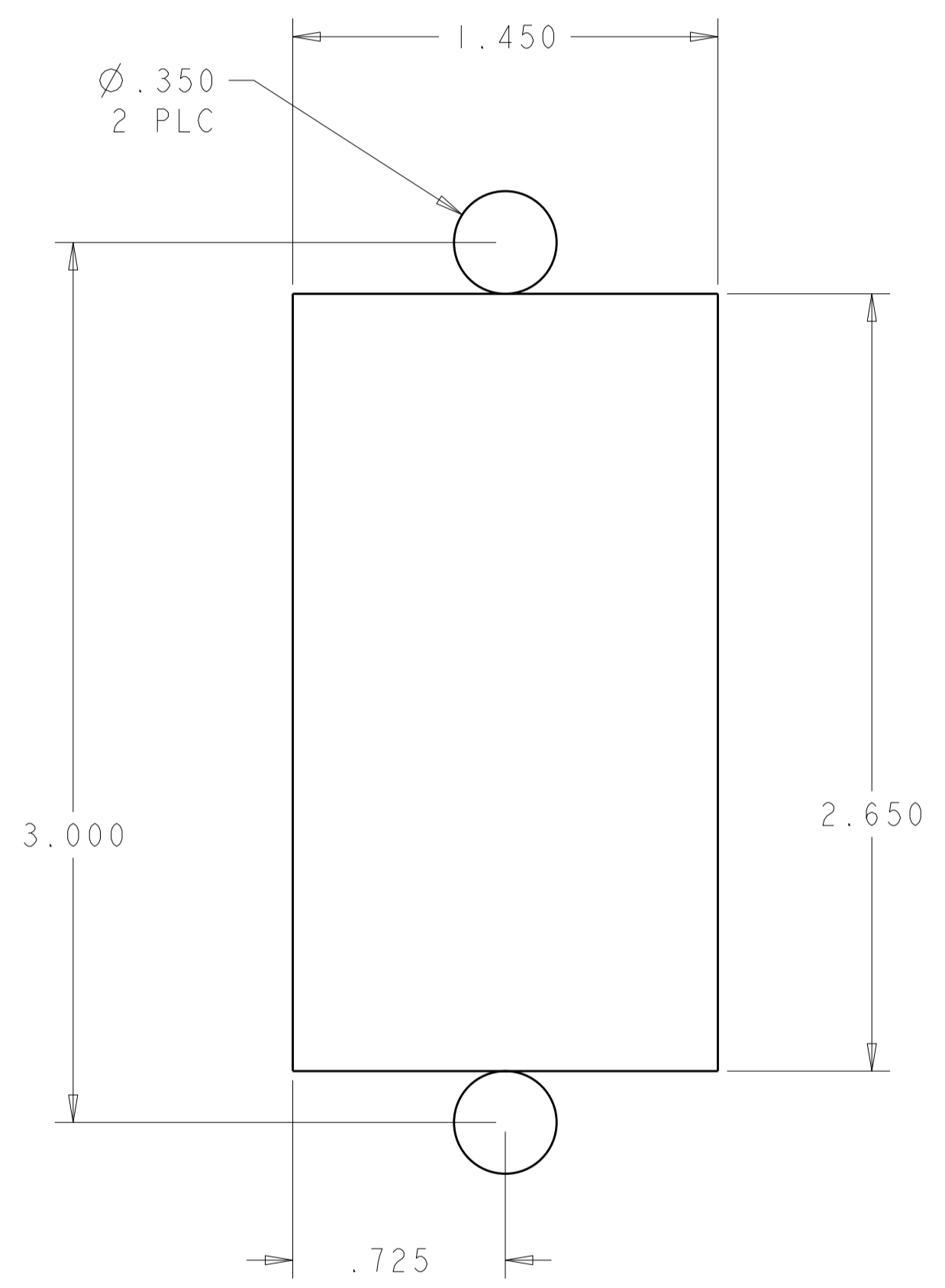
△5	F	2	1650402-1	SCREW, #8-32 THD.
△5	E	8	6648318-1	CONTACT, SOCKET, SIZE #12, CRIMP
△5	D	1	1648384-1	CONTACT, SOCKET, SIZE #12, CRIMP, HOT PLUG
△5	C	24	1648325-1	CONTACT, SOCKET, SIZE #20, CRIMP
△5	B	4	6648317-1	CONTACT, SOCKET, SIZE #8, CRIMP
	A	1	1648168-2	HOUSING, SOCKET, FLOAT MOUNT
	ITEM	-1	PART NUMBER	DESCRIPTION

ELCON DRAWER

<small>THIS DRAWING IS A CONTROLLED DOCUMENT FOR TYCO ELECTRONICS CORPORATION. IT IS SUBJECT TO CHANGE AND THE CONTROLLING ENGINEERING ORGANIZATION SHOULD BE CONTACTED FOR THE LATEST REVISION.</small>		DWN R. GRZYBOWSKI CHK S. FLICKINGER APVD S. FLICKINGER	05APR06 05APR06 05APR06	tyco Electronics Tyco Electronics Harrisburg, PA 17105-3608
DIMENSIONS: INCHES		TOLERANCES UNLESS OTHERWISE SPECIFIED: 0 PLC ± 1 PLC ± 2 PLC ±.02 3 PLC ±.010 4 PLC ±0.0005 ANGLES ±.5 FINISH		NAME CONNECTOR, SOCKET 75 AMP MIDDLE DRAWER
MATERIAL		PRODUCT SPEC APPLICATION SPEC WEIGHT		SIZE CAGE CODE DRAWING NO RESTRICTED TO
-		-		A200779C-1926126 SCALE 4:1 SHEET 1 OF 2 REV B
CUSTOMER DRAWING				-

THIS DRAWING IS UNPUBLISHED. RELEASED FOR PUBLICATION 20
 © COPYRIGHT 20 BY TYCO ELECTRONICS CORPORATION. ALL RIGHTS RESERVED.

LOC	DIST	REVISIONS			
P	LTR	DESCRIPTION	DATE	DWN	APVD
GP	00	-	SEE SHEET 1	-	-



SUGGESTED PANEL CUTOUT
 VIEWED FROM CONNECTOR MOUNTING SIDE

- PART NUMBER CHANGES AND OR DESIGN CHANGES AFFECTING THE INTERCHANGEABILITY REQUIRE PRIOR TYCO ELECTRONICS APPROVAL AND AUTHORIZATION BY REVISION TO THIS DRAWING.
- MATERIAL:
 INSULATOR: THERMOPLASTIC, GLASS REINFORCED, FLAMMABILITY RATED, COLOR: BLACK
 CONTACT: COPPER ALLOY
 CROWN BAND: BERYLLIUM COPPER
 RETENTION CLIP: BERYLLIUM COPPER
- FINISH:
 CONTACTS SIZE #8 : SILVER .000200 MIN. THK. OVER NICKEL .000040 MIN THK.
 CONTACTS SIZE #12, HP : GOLD .000010 MIN. THK. OVER NICKEL .000040 MIN THK.
 CONTACTS SIZE #12 : SILVER .000200 MIN. THK. OVER NICKEL .000040 MIN THK.
 CONTACTS SIZE #20 : GOLD .000030 MIN. THK. OVER NICKEL .000040 MIN THK.
 CROWN BAND: GOLD .000030 MIN. THK. OVER NICKEL .000040 MIN THK.

4. ITEMS PROVIDED TO THIS SPECIFICATION TO BE PERMANENTLY IDENTIFIED PER THE FOLLOWING IDENTIFIER:

YEAR WEEK

TYCO ELECTRONICS PART NUMBER DATE CODE (e.g. 0216)

XXXXXXXX-X XXXX

5. CRIMP CONTACTS AND SCREWS (ITEMS B THRU F) SHALL BE PACKAGED SEPARATELY AND PLACED IN THE BOX WITH THE CONNECTOR ASSY.

ELCON **DRAWER**

THIS DRAWING IS A CONTROLLED DOCUMENT FOR TYCO ELECTRONICS CORPORATION. IT IS SUBJECT TO CHANGE AND THE CONTROLLING ENGINEERING ORGANIZATION SHOULD BE CONTACTED FOR THE LATEST REVISION.		DWN R. GRZYBOWSKI 05APR06	tyco Electronics Tyco Electronics Harrisburg, PA 17105-3608	
DIMENSIONS: INCHES		CHK S. FLICKINGER 05APR06	NAME CONNECTOR, SOCKET 75 AMP MIDDLE DRAWER	
TOLERANCES UNLESS OTHERWISE SPECIFIED: 0 PLC ± 1 PLC ± 2 PLC ±.02 3 PLC ±.010 4 PLC ±0.0005 ANGLES ±.5		APVD S. FLICKINGER 05APR06	PRODUCT SPEC -	
MATERIAL		APPLICATION SPEC -	SIZE A200779	CAGE CODE C-1926126
-		WEIGHT -	DRAWING NO -	RESTRICTED TO -
CUSTOMER DRAWING			SCALE 4:1	SHEET 2 OF 2
			REV B	