

LT8302

Micropower No-Opto Isolated Flyback Converter

DESCRIPTION

Demonstration circuit 2014A is a micropower No-Opto isolated flyback converter featuring the LT[®]8302. This demo circuit outputs 5V, and maintains tight regulation with a load current from 10mA to 2.2A over an input voltage from 10V to 30V. The output current capability increases with the input voltage.

The LT8302 typically needs less than 0.5% of its full output power as a minimum load to maintain good output voltage regulation. On the DC2014A, in order to avoid pre-loading, a 5.6V Zener diode is placed between its V_{OUT}^+ and V_{OUT}^- to serve as a minimum load.

Transformer leakage inductance causes a voltage spike on the primary side after the power switch turns off. To limit this leakage inductance spike within MOSFET voltage rating of 65V, an RC snubber and a TVS clamp are installed to damp the ringing and clamp the MOSFET drain voltage to a safe level.

The Performance Summary table summarizes the performance of the demo board at room temperature. The demo circuit can be easily modified for different applications with some pre-designed transformers.

The LT[®]8302 is a simple to use monolithic micropower isolated flyback converter. By sampling the isolated output voltage directly from the primary-side flyback waveform, the part requires no third winding or opto-isolator for regulation. The output voltage is programmed with two external resistors and a third optional temperature compensation resistor. By integrating the loop compensation and soft-start inside, the part reduces the number of external components. Boundary mode operation provides a small magnetic solution with excellent load regulation. Low ripple Burst Mode[®] operation maintains high efficiency at light load while minimizing the output voltage ripple. A 3.6A, 65V DMOS power switch is integrated along with all the high voltage circuitry and control logic into a thermally enhanced 8-lead SO package.

The LT8302 data sheet gives a complete description of the part, operation and application information. The data sheet must be read in conjunction with this quick start guide for demo circuit 2014A.

Design files for this circuit board are available at <http://www.linear.com/demo>

LT, LT, LTC, LTM, Burst Mode, Linear Technology and the Linear logo are registered trademarks of Linear Technology Corporation. All other trademarks are the property of their respective owners.

PERFORMANCE SUMMARY Specifications are at $T_A = 25^\circ\text{C}$

PARAMETER	CONDITIONS	MIN	TYP	MAX	UNITS
Input Voltage		10	24	30	V
Output Voltage	$V_{IN} = 10\text{V to } 30\text{V}, I_{OUT} = 10\text{mA to } 2.2\text{A}$	4.75	5	5.25	V
Maximum Output Current	$V_{IN} > 15\text{V}$	2.2			A
Output Voltage Ripple (Peak to Peak)	$V_{IN} = 10\text{V to } 30\text{V}, I_{OUT} = 2.2\text{A}$			100	mV
Typical Switching Frequency	$V_{IN} = 24\text{V}, I_{OUT} = 2.2\text{A}$		345		kHz
Minimum Switching Frequency	$I_{OUT} = 0\text{mA}$		12		kHz
Efficiency	$V_{IN} = 10\text{V}, I_{OUT} = 2.2\text{A}$		80		%
	$V_{IN} = 24\text{V}, I_{OUT} = 2.2\text{A}$		84		%
	$V_{IN} = 30\text{V}, I_{OUT} = 2.2\text{A}$		84		%

QUICK START PROCEDURE

Demonstration circuit 2014A is easy to set up to evaluate the performance of the LT8302. Refer to Figure 1 for proper measurement equipment setup and follow the procedure:

1. With power off, connect the input power supply to the board through V_{IN} (E1) and GND (E2) terminals. Connect the load to the terminals V_{OUT}^+ (E3) and V_{OUT}^- (E4) on the board.

2. Turn on the power at the input. Increase V_{IN} slowly to 10V.

NOTE: Make sure that the input voltage is always within spec. To operate the board with higher input/output voltage, input capacitor, output capacitor and output diode with higher voltage ratings are needed.

3. Check for the proper output voltages. The output should be regulated at 5.0V ($\pm 5\%$).

NOTE: The LT8302 requires very small minimum load to maintain good output voltage regulation. A Zener diode is placed on the output to clamp the voltage to 5.6V. This Zener can be replaced with a 560 Ω resistor at the tradeoff of lower efficiency.

4. Once the proper output voltage is established, adjust the input voltage and load current within the operating range and observe the output voltage regulation, ripple voltage, efficiency and other parameters.

NOTE: When measuring the input or output voltage ripple, care must be taken to avoid a long ground lead on the oscilloscope probe. Measure the input or output voltage ripple by touching the probe tip directly across the V_{IN} (E1) and GND (E2), or V_{OUT}^+ (E3) and V_{OUT}^- (E4) terminals. See Figure 2 for proper scope probe technique.

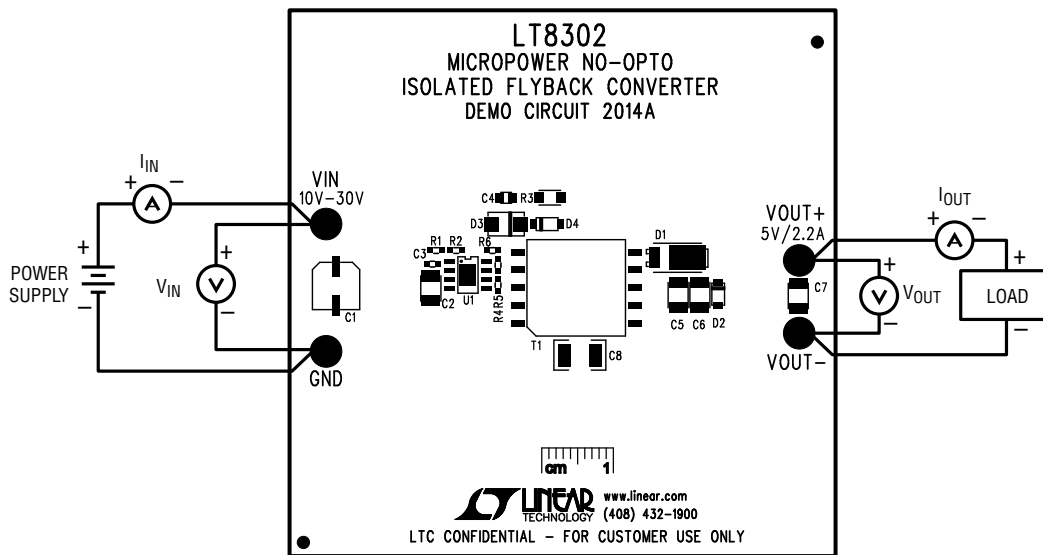


Figure 1. Proper Measurement Equipment Setup

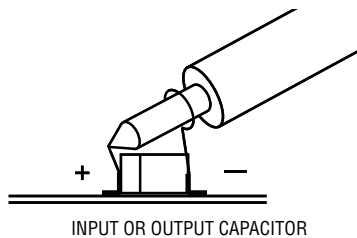


Figure 2. Proper Scope Probe Placement for Measuring Input or Output Ripple

QUICK START PROCEDURE

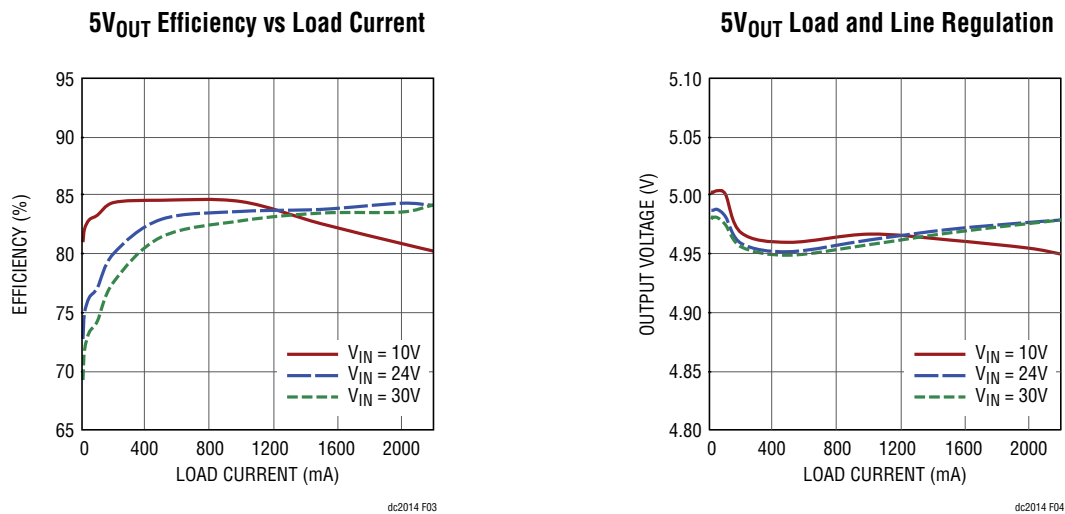


Figure 3. Typical Efficiency and Regulation Curves

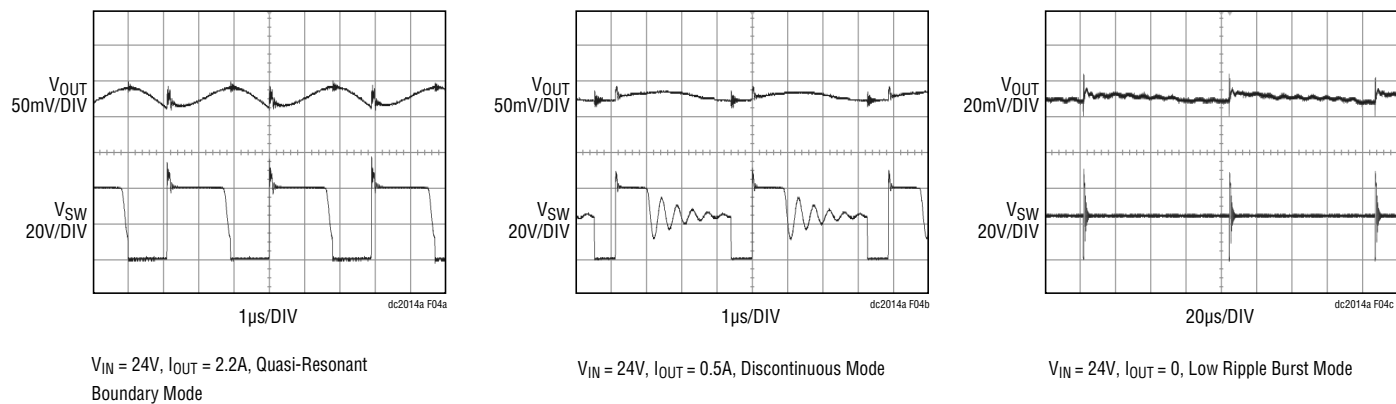


Figure 4. V_{OUT} Ripple and Switch Node Voltage Waveforms at Different Load Conditions

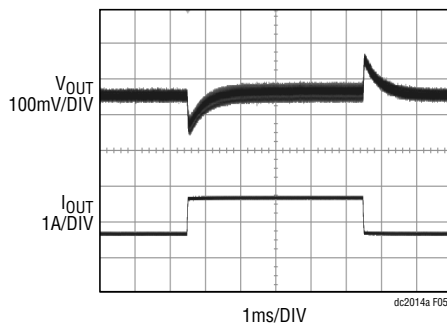


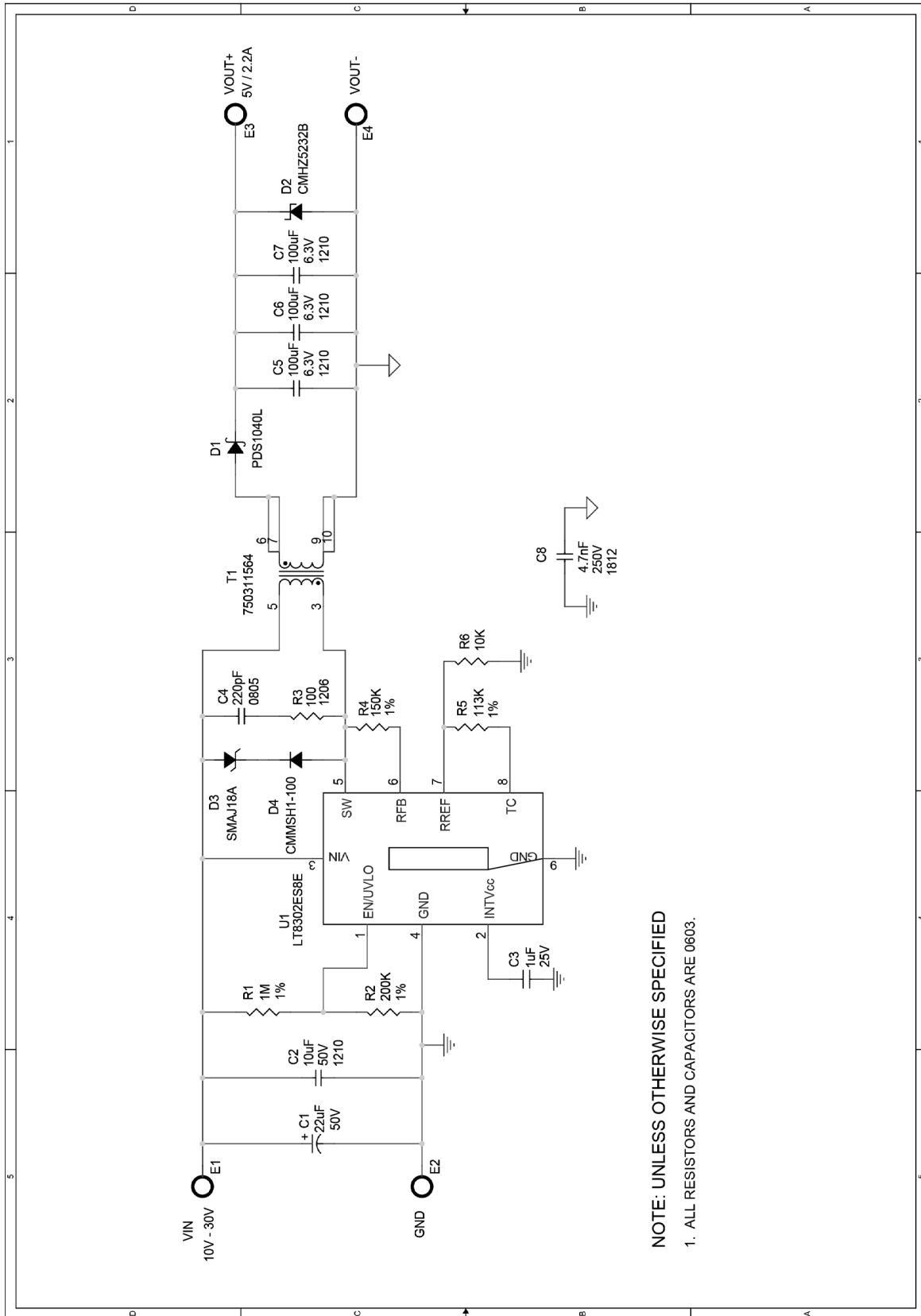
Figure 5. Load Transient Responses (V_{IN} = 24V, Load transient between 1A and 2A)

DEMO MANUAL DC2014A

PARTS LIST

ITEM	QTY	REFERENCE	PART DESCRIPTION	MANUFACTURER/PART NUMBER
Required Circuit Components				
1	1	C1	CAP.,ALUM. ELEC. 22 μ F, 50V,	NIPPON CHEMI-COM, EMZA500ADA220MF61G
2	1	C2	CAP., CHIP, X5R, 10 μ F, 50V, 10% 1210	Taiyo Yuden, UMK325BJ106K
3	1	C3	CAP., CHIP, X5R, 1 μ F, 25V, 10% 0603	AVX, 06033D105KAT2A
4	1	C4	CAP., CHIP, C0G, 220pF, 50V, 5% 0805	AVX, 08055A221JAT2A
5	3	C5, C6, C7	CAP., CHIP, X5R, 100 μ F, 6.3V, 10% 1210	AVX, 12106D107KAT2A
6	1	C8	CAP., CHIP, X7R, 4.7nF, 250V, 10% 1812	MURATR, GA343DRGD472KW01L
7	1	D1	DIODE, PDS1040L, PowerDI-5	Diodes Inc., PDS1040L-13
8	1	D2	DIODE, CMHZ5232B, SOD-123	Central Semi., CMHZ5232B
9	1	D3	DIODE, SMAJ18A, SMA	Diodes Inc., SMAJ18A-13-F
10	1	D4	DIODE, CMMSH1-100, SOD-123F	Central Semi., CMMSH1-100G TR
11	1	R1	RES., CHIP, 1M, 1/10W, 1% 0603	VISHAY, CRCW06031M0FKEA
12	1	R2	RES., CHIP, 200k, 1/10W, 1% 0603	VISHAY, CRCW0603200KFKEA
13	1	R3	RES., CHIP, 100, 1/4W, 5% 1206	VISHAY, CRCW1206100RJNEA
14	1	R4	RES., CHIP, 150k, 1/10W, 1% 0603	VISHAY, CRCW0603150KFKEA
15	1	R5	RES., CHIP, 113k, 1/10W, 1% 0603	VISHAY, CRCW0603113KFKEA
16	1	R6	RES., CHIP, 10k, 1/10W, 1% 0603	VISHAY, CRCW060310K0FKEA
17	1	T1	TRANSFORMER, 750311564	WURTH ELEC., 750311564
18	1	U1	I.C. LT8302 S08E	LINEAR TECH., LT8302ES8E#PBF
Hardware: For Demo Board Only				
1	4	E1-E4	TESTPOINT, TURRET, .094" PBF	MILL-MAX, 2501-2-00-80-00-00-07-0

SCHEMATIC DIAGRAM



NOTE: UNLESS OTHERWISE SPECIFIED
 1. ALL RESISTORS AND CAPACITORS ARE 0603.

DEMO MANUAL DC2014A

DEMONSTRATION BOARD IMPORTANT NOTICE

Linear Technology Corporation (LTC) provides the enclosed product(s) under the following **AS IS** conditions:

This demonstration board (DEMO BOARD) kit being sold or provided by Linear Technology is intended for use for **ENGINEERING DEVELOPMENT OR EVALUATION PURPOSES ONLY** and is not provided by LTC for commercial use. As such, the DEMO BOARD herein may not be complete in terms of required design-, marketing-, and/or manufacturing-related protective considerations, including but not limited to product safety measures typically found in finished commercial goods. As a prototype, this product does not fall within the scope of the European Union directive on electromagnetic compatibility and therefore may or may not meet the technical requirements of the directive, or other regulations.

If this evaluation kit does not meet the specifications recited in the DEMO BOARD manual the kit may be returned within 30 days from the date of delivery for a full refund. **THE FOREGOING WARRANTY IS THE EXCLUSIVE WARRANTY MADE BY THE SELLER TO BUYER AND IS IN LIEU OF ALL OTHER WARRANTIES, EXPRESSED, IMPLIED, OR STATUTORY, INCLUDING ANY WARRANTY OF MERCHANTABILITY OR FITNESS FOR ANY PARTICULAR PURPOSE. EXCEPT TO THE EXTENT OF THIS INDEMNITY, NEITHER PARTY SHALL BE LIABLE TO THE OTHER FOR ANY INDIRECT, SPECIAL, INCIDENTAL, OR CONSEQUENTIAL DAMAGES.**

The user assumes all responsibility and liability for proper and safe handling of the goods. Further, the user releases LTC from all claims arising from the handling or use of the goods. Due to the open construction of the product, it is the user's responsibility to take any and all appropriate precautions with regard to electrostatic discharge. Also be aware that the products herein may not be regulatory compliant or agency certified (FCC, UL, CE, etc.).

No License is granted under any patent right or other intellectual property whatsoever. **LTC assumes no liability for applications assistance, customer product design, software performance, or infringement of patents or any other intellectual property rights of any kind.**

LTC currently services a variety of customers for products around the world, and therefore this transaction **is not exclusive**.

Please read the DEMO BOARD manual prior to handling the product. Persons handling this product must have electronics training and observe good laboratory practice standards. **Common sense is encouraged.**

This notice contains important safety information about temperatures and voltages. For further safety concerns, please contact a LTC application engineer.

Mailing Address:

Linear Technology
1630 McCarthy Blvd.
Milpitas, CA 95035

Copyright © 2004, Linear Technology Corporation