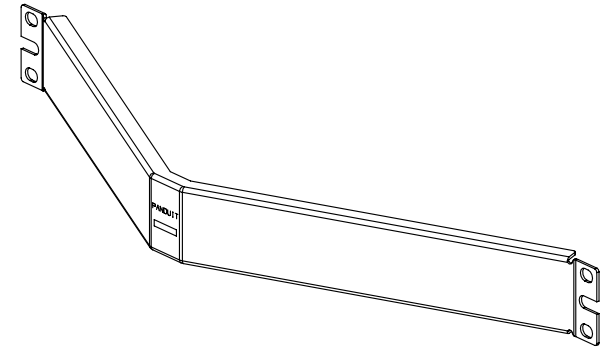
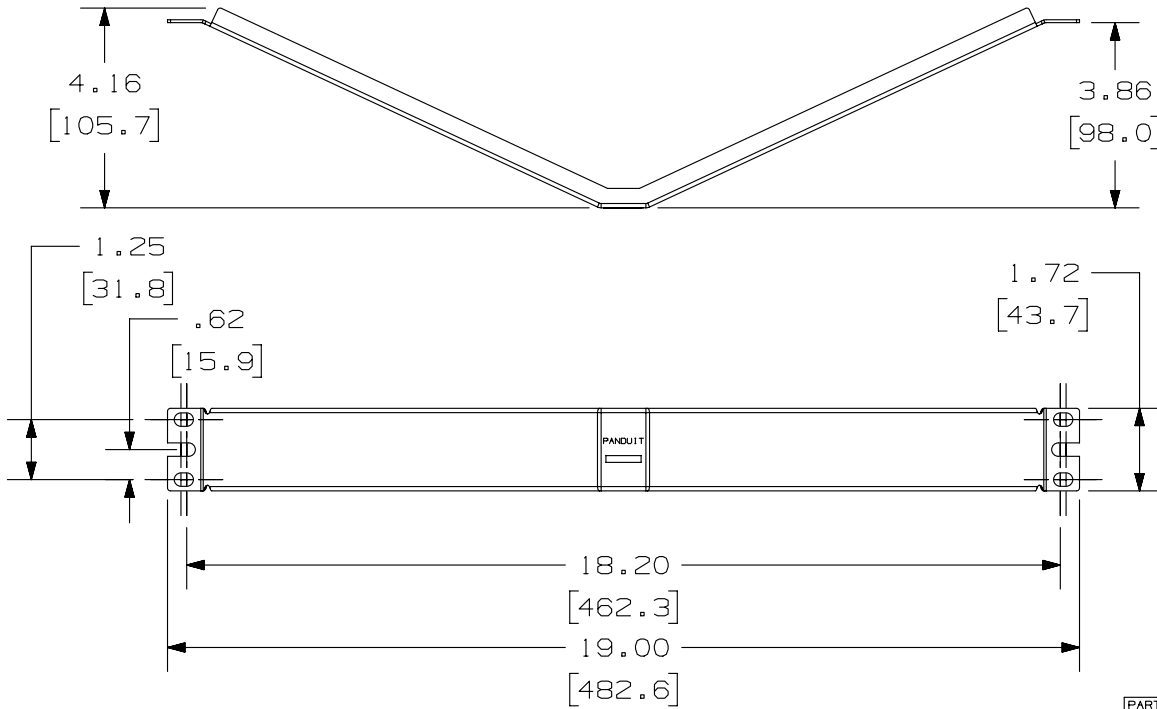


THIS COPY IS PROVIDED ON A RESTRICTED BASIS AND IS NOT TO BE USED IN ANY WAY DETRIMENTAL TO THE INTERESTS OF PANDUIT CORP.

PANDUIT P/N	WEIGHT
CPAF1BLY	8.21 LB/10 PCS (3723.3 g/10 PCS)

NOTES:

1. SEE CURRENT CATALOG FOR VARIOUS APPLICATIONS WITH THIS WIRING SYSTEM.
2. THE FILLER PANEL IS DESIGNED FOR MOUNTING TO 19" UNIVERSAL RACKS.
3. PACKAGE CONTENTS:
 (1) - ANGLED FILLER PANEL STAMPING
 (1) - SCREW KIT (INCLUDES FOUR #12-24 SCREWS)
 (1) - SCREW KIT (INCLUDES FOUR M6 SCREWS)
4. DIMENSIONS IN PARENTHESIS ARE IN METRIC.



PART NUMBER		CPAF1BLY	
TITLE		ANGLED 1 RACK UNIT FILLER PANEL	
		CUSTOMER DRAWING	
ITEM REVISION NAME		M02479DC/00	
DATASET FILE NAME		M02479DC_DC83/00B	
UNLESS OTHERWISE SPECIFIED, DIMENSIONAL TOLERANCES ARE: IN (mm)		MATERIAL:	
.x ± .xxx ± .010 (.3)		16 GAGE C.R.S.	
.xx ± .03 (.8) ANGLES ±		DRAWING NUMBER:	
THIRD ANGLE PROJECTION		02479-083	
DRAWN BY	DATE	CHK	SCALE
JSP	3-11-06	MJD	NONE
REV	DATE	BY	CHK
APR	DESCRIPTION		ECN
DRAWING NUMBER:		SHT 1 OF 1	
		A	

1	5-02-14	TA	REFR	REFR	REVISED TITLE BLOCK	02479-083
R	3/11/06	JSP	MJD	MJD	RELEASED TO PRODUCTION	02479-083
REV	DATE	BY	CHK	APR	DESCRIPTION	ECN

D10100DA/14