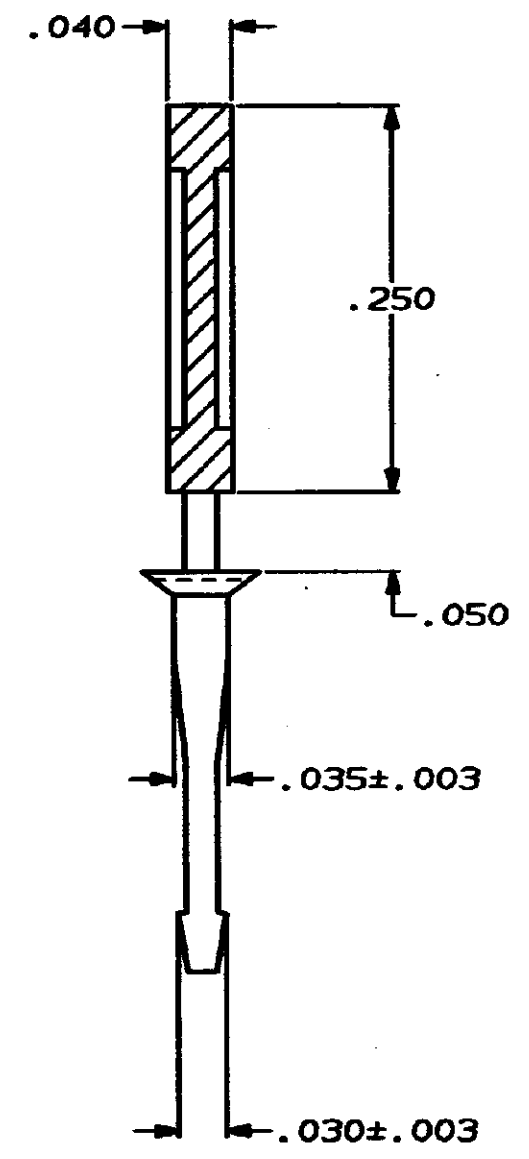
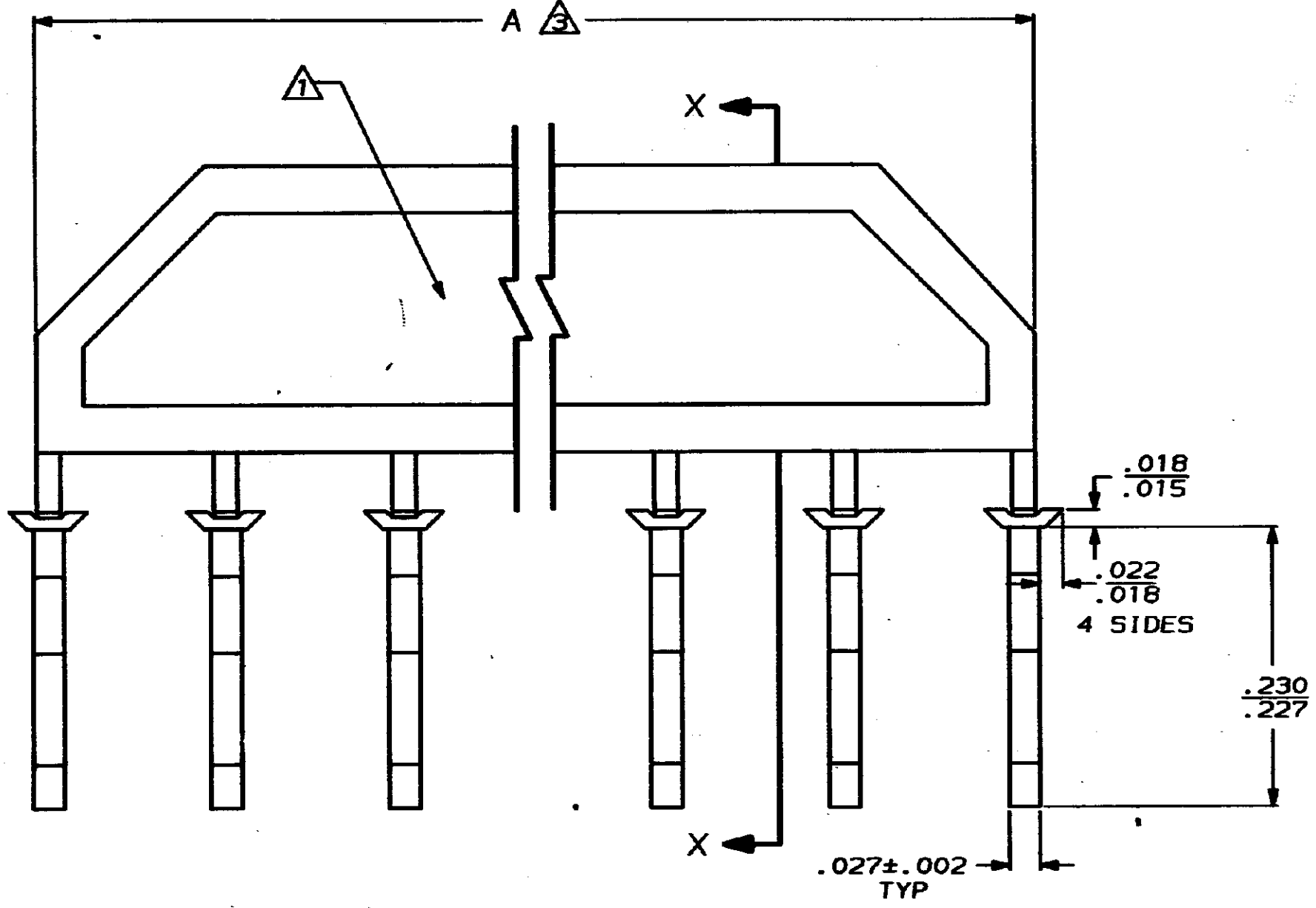


DRAWING MADE IN THIRD ANGLE PROJECTION  
 THIS DRAWING IS UNPUBLISHED. RELEASED FOR PUBLICATION 19  
 © COPYRIGHT 19 BY AMP INCORPORATED, HARRISBURG, PA. ALL INTERNATIONAL RIGHTS  
 104072 AMP PRODUCTS MAY BE COVERED BY U.S. AND FOREIGN PATENTS AND/OR PATENTS PENDING.

LOC		DIST		REVISIONS				
AD	39	P	F	ZONE	LTR	DESCRIPTION	DATE	APPROVED
				0		REL WAS 5990-608		
				A		REV LOC & DIST AD-4171	3-90	BF

D  
C  
B  
A



SECTION X-X

- ① "AMP" TRADEMARK ON SURFACE INDICATED
- ② MINIMUM OF EIGHT KEYING PLUGS ARE TO BE ATTACHED TO THE CARRIER
- ③ THIS DIMENSION APPLIES OVER THE CARRIER AREA; IT DOES NOT CONTROL THE KEYING PLUGS

1.372	10/2	104072-1
A	NO OF PLUGS	PART NUMBER

UNLESS OTHERWISE SPECIFIED DIMENSIONS ARE IN INCHES TOLERANCES ON: 2 PL DEC ± - 3 PL DEC ± .005 ANGLES ± -	DR 4-16-87 H. HOLL	AMP INCORPORATED Harrisburg, Pa. 17105		
	CHK 4-16-87 L. MAYER			
	MATERIAL: FLAME RETARDANT THERMOPLASTIC COLOR-WHITE	APPD 4-16-87 P. DeJONG	NAME  KEYING PLUGS, MTE	
	FINISH:	APPD 4-16-87 J. SCHIEFER		
	PRODUCT SPEC	SIZE C	FSCM NO 00779	DRAWING NO 104072
	APPLICATION SPEC	SCALE 10:1	SHEET 1 OF 1	
	WEIGHT			

AMP 1471-7 REV 10-84

20 FEB 1980 14.51.34 52923 48022-107-CR024-87102741.344.58044.001

CUSTOMER DRAWING

104072