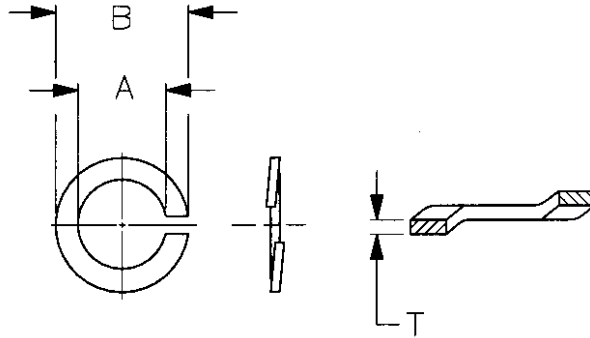


1. PART NUMBER AND CHARACTERISTICS



TE Part No	Rev	Screw Size	A	B (max)	T (min)
21024-1	G	#2	.088 - .094	.172	.020
21024-2	G	#4	.115 - .121	.209	.025
21024-3	G	#6	.141 - .148	.250	.031
21024-4	G	#8	.168 - .175	.293	.040
21024-5	G	#10	.194 - .202	.334	.047
21024-6	G	1/4	.255 - .263	.489	.062
21024-7	G	5/16	.318 - .328	.586	.078
21024-8	G	3/8	.382 - .393	.683	.094
21024-9	G	1/2	.509 - .523	.873	.125
1-21024-0	G	5/8	.636 - .653	1.079	.156
1-21024-1	G	3/4	.763 - .783	1.271	.188
1-21024-2	G	#5	.128 - .134	.236	.031
1-21024-3	G	1.00	1.017 - 1.042	1.661	.250
1-21024-4	G	7/16	.446 - .459	.779	.109
1-21024-5	G	#12	.221 - .229	.377	.056
1-21024-6	H	#3	.101 - .107	.195	.025

- 1.1. Shall comply with ASME B18.21.1
- 1.2. Hardness: Rockwell C45-53
- 2. RECOMMENDED MANUFACTURER
None

COMMERCIAL ITEM SPECIFICATION		MATERIAL					
		Carbon Steel					
© 2009 Tyco Electronics Corporation, Harrisburg, PA All International Rights Reserved		FINISH		NO 21024 REV K LOC B DIST 31			
		Black Oxide					
				DIMENSIONS IN INCHES			
		SHEET 1 OF 1		TITLE			
				WASHER, SPRING LOCK, REGULAR			
K	Clarify ASME specification	JNB	30DEC09				
REV	ENGINEERING CHANGE	CHK	DATE				