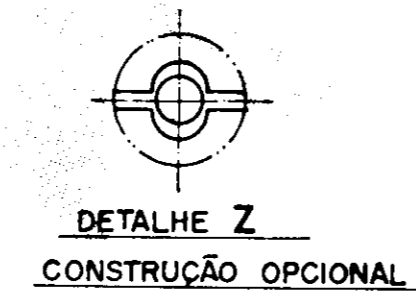
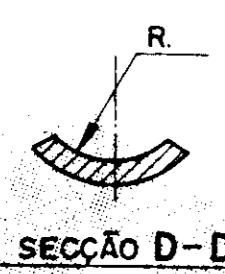
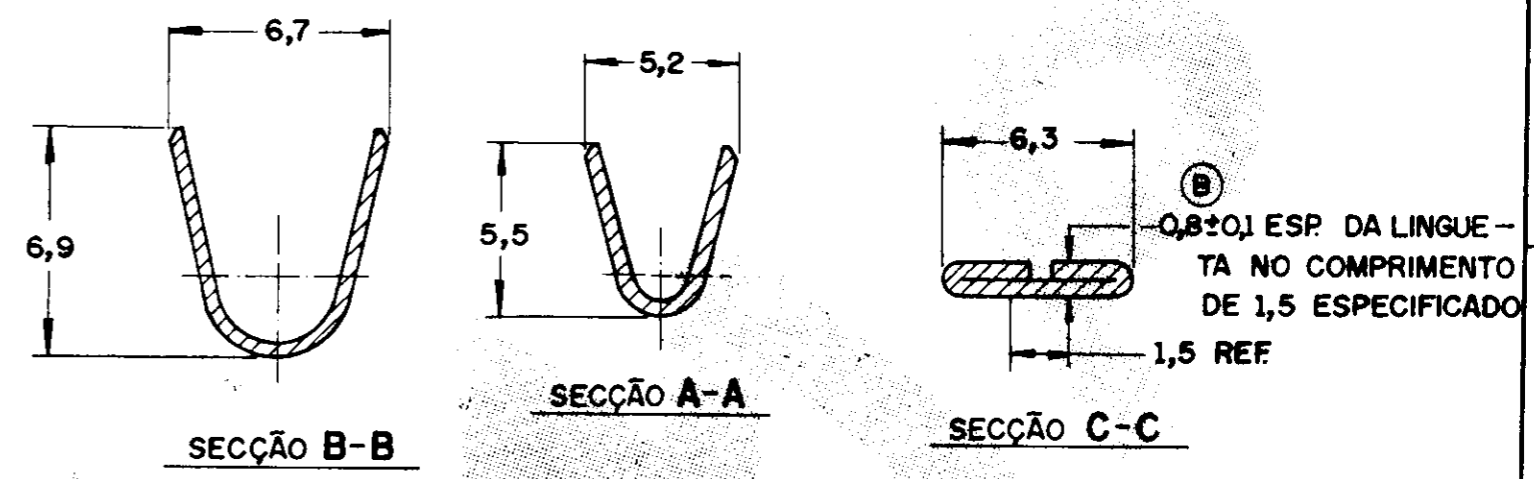
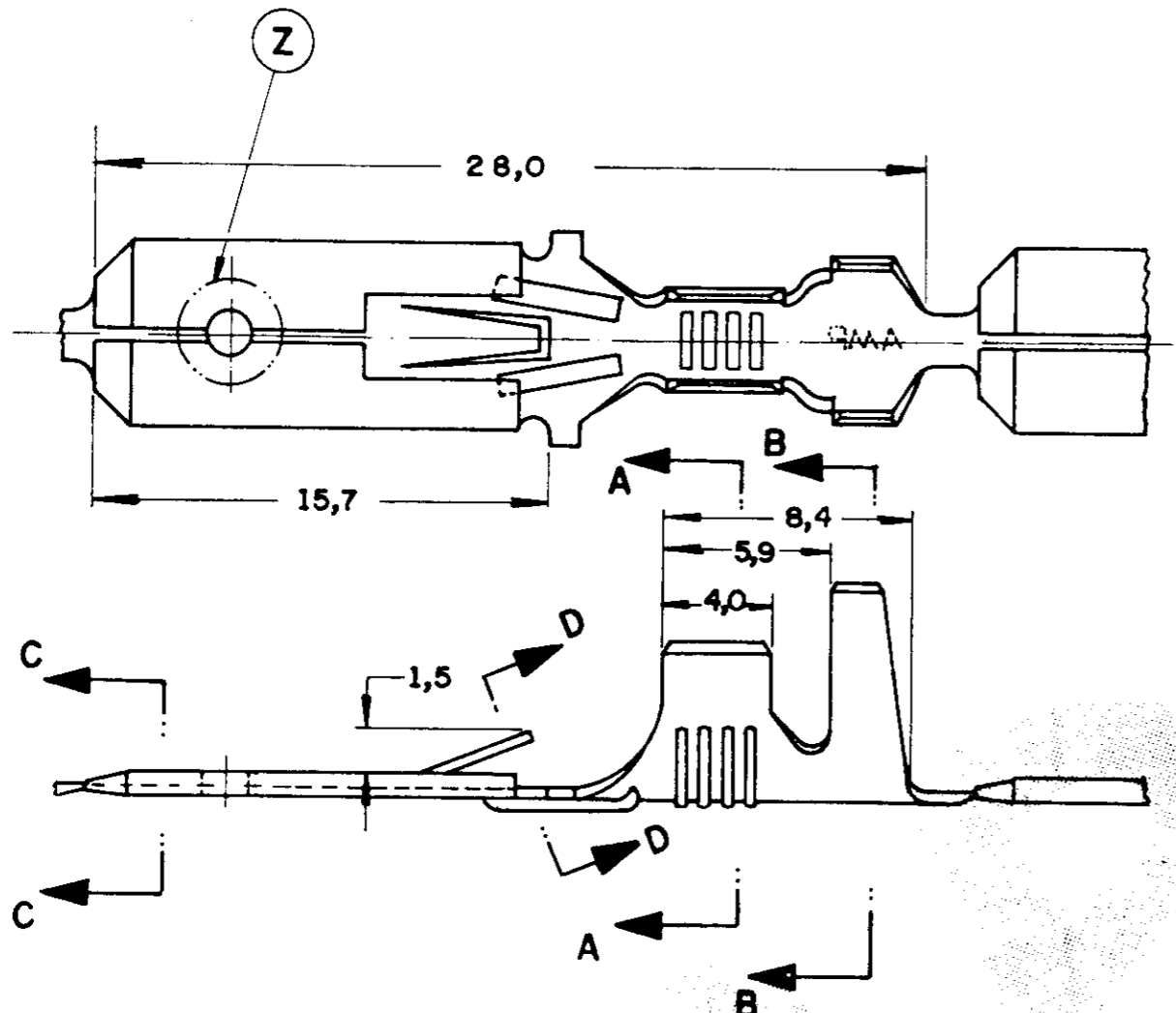


C444153

DO NOT SCALE
DIMENSIONS IN METRIC
3rd ANGLE PROJECTION



(A)	ESTANHADO	BRONZE FOSF.	-4
(A)	— / —	BRONZE FOSF.	-3
(A)	ESTANHADO	LATÃO	-2
	— / —	LATÃO	444153 -1
OTHER TREATMENT		FINISH	MATERIAL
CUSTOMER DWG for REFERENCE ONLY		THIS DRAWING IS UNPUBLISHED. RELEASED FOR PUBLICATION IS	
		© COPYRIGHT 19 BY AMP DO BRASIL LTDA S.P. ALL INTERNATIONAL RIGHTS RESERVED. AMP PRODUCTS MAY BE COVERED BY U.S. AND FOREIGN PATENTS AND/OR PATENTS PENDING.	
		TOLERANCES UNLESS OTHERWISE STATED	INS. DIA. RANGE WIRE RANGE 2 SCALE
		DEC. ± 0,3	3,2-4,3 mm >4,0-6,0mm 4:1
		ANGLES ± 1°	
		DR. 06-10-92	AMP AMP do BRASIL LTDA. São Paulo, Brasil
		Jourival Alves Rochg	
		CHK. J.R. Folosafis	DESCRIPTION .250 SERIES FASTIN-ON TAB
		28-10-92	
B	ERA 0,8 LB-026-94	Dori	27-7-4Feb94
A	ADIC. TRACOS 2,3E4	06-93	MR. B. 13-MAY-93
O	ERA P92-29205	Dori	08-10-92
REVISION	RECORD	DR	CHK
		DATE	APP. J. Couther 29/10/92
		DWG NO	SHEET
		A3	C444153 1 OF 1