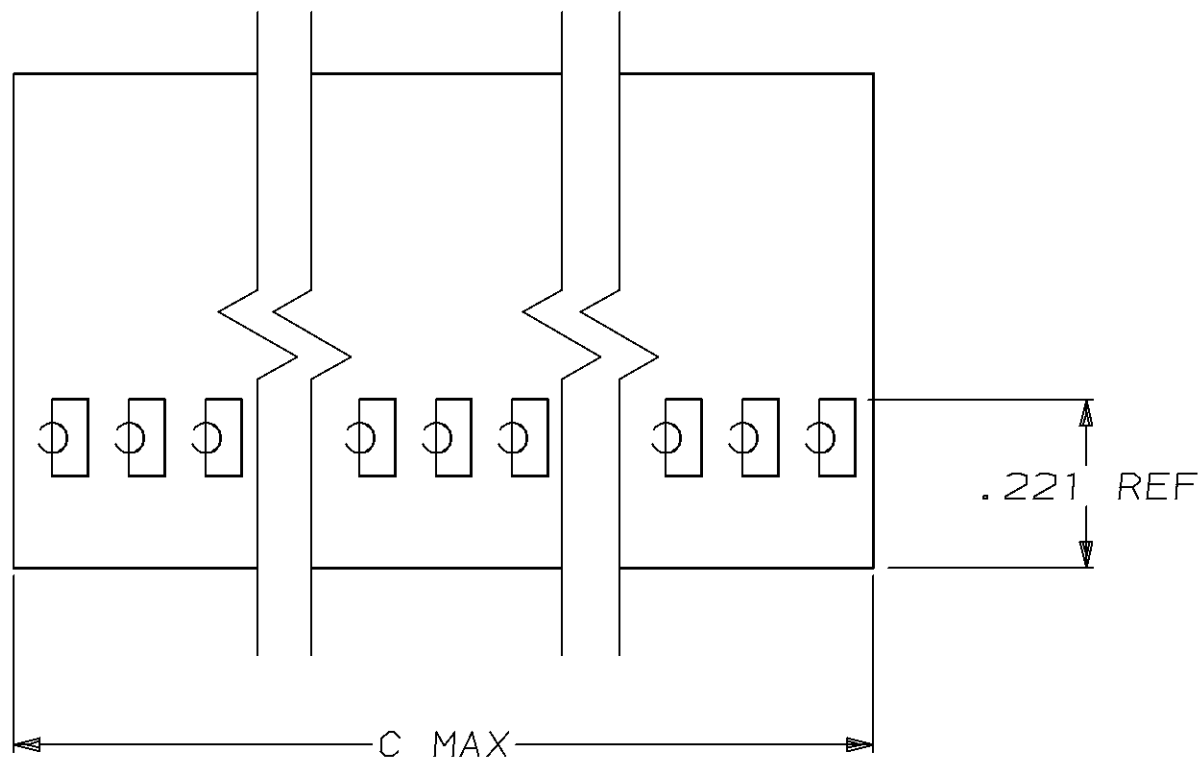
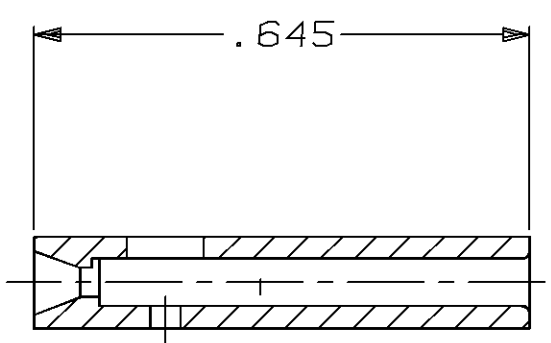
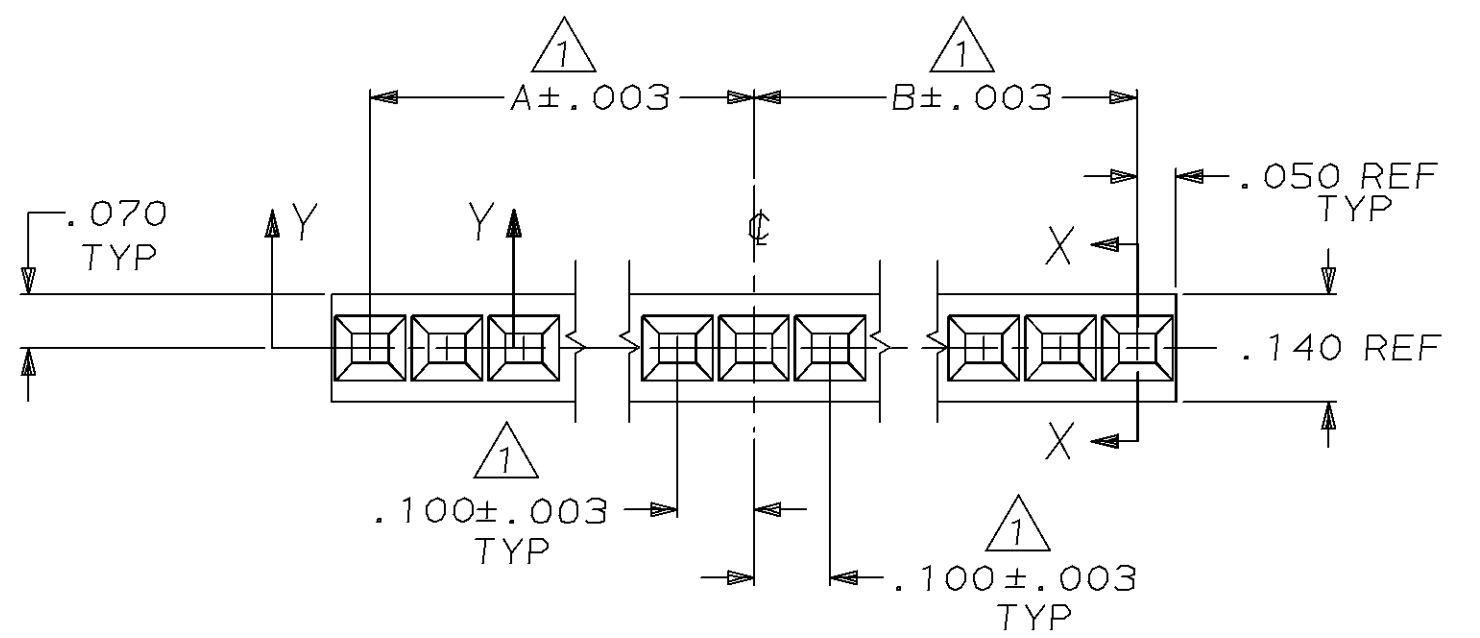


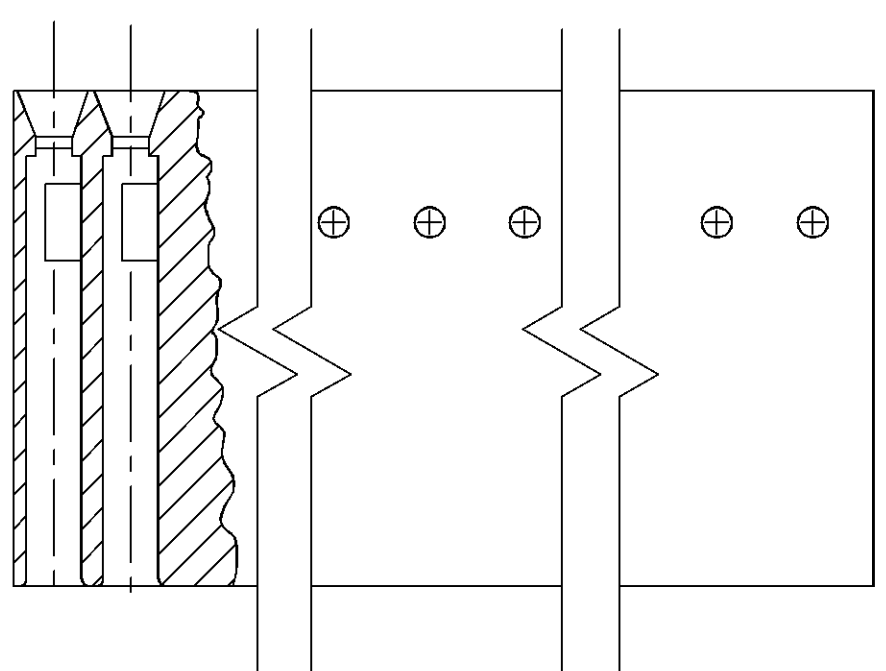
MOD	LOC	DIST	P	F	ZONE	LTR	DESCRIPTION	DATE	DS
30	AD	39				L	REV PER 0G3C-0200-04	05NOV04	DS



- ① CAVITY LOCATION DIMENSIONS INCREASE IN INCREMENTS OF .100 TOLERANCE NON-CUMULATIVE
- ② USE EXTRACTION TOOL 91052-1 TO REMOVE RECEPTACLE CONTACTS.
- ③ GLASS FILLED NYLON COLOR-BLACK. PER ASTM D4066



SECT X-X



SECT Y-Y

	C	B	A	NO. OF POS.	PART NUMBER
OBSOLETE	2.405	1.100	1.200	24	2-86426-2
OBSOLETE	3.005	1.400	1.500	30	2-86426-0
OBSOLETE	.905	.400	.400	9	1-86426-7
OBSOLETE	5.005	2.400	2.500	50	1-86426-6
OBSOLETE	3.605	1.700	1.800	36	1-86426-5
OBSOLETE	1.605	.700	.800	16	1-86426-4
OBSOLETE	1.205	.500	.600	12	1-86426-3
OBSOLETE	1.805	.800	.900	18	1-86426-2
OBSOLETE	.305	.100	.100	3	1-86426-1
OBSOLETE	.405	.100	.200	4	1-86426-0
OBSOLETE	.605	.200	.300	6	86426-9
OBSOLETE	.505	.200	.200	5	86426-7
OBSOLETE	1.505	.700	.700	15	86426-6
OBSOLETE	.805	.300	.400	8	86426-5
OBSOLETE	1.405	.600	.700	14	86426-4
OBSOLETE	2.005	.900	1.000	20	86426-3
OBSOLETE	1.005	.400	.500	10	86426-2
OBSOLETE	.705	.300	.300	7	86426-1

DO NOT SCALE PRINT. UNLESS SPECIFIED DIMENSIONS IN INCHES TOLERANCES ON : 2 PLC DEC ± - 3 PLC DEC ± .005 ANGLES ± 0°30'		DR 9-20-89 BOB BOLES BG		AMP INCORPORATED Harrisburg, Pa. 17105	
MATERIAL ③		CHK 10-23-89 J. GESFORD			
FINISH -		APPD 10-23-89 J. GESFORD		NAME HOUSING, CRIMP SNAP-IN, MOD IV, SINGLE ROW, .100 CENTERS	
-		APPD 10-23-89 FLINCHBAUGH		SIZE C 00779	
-		PRODUCT SPEC -		DRAWING NO 86426	
-		APPLICATION SPEC -		SCALE 4:1	
-		WEIGHT -		SHEET 1 OF 1	