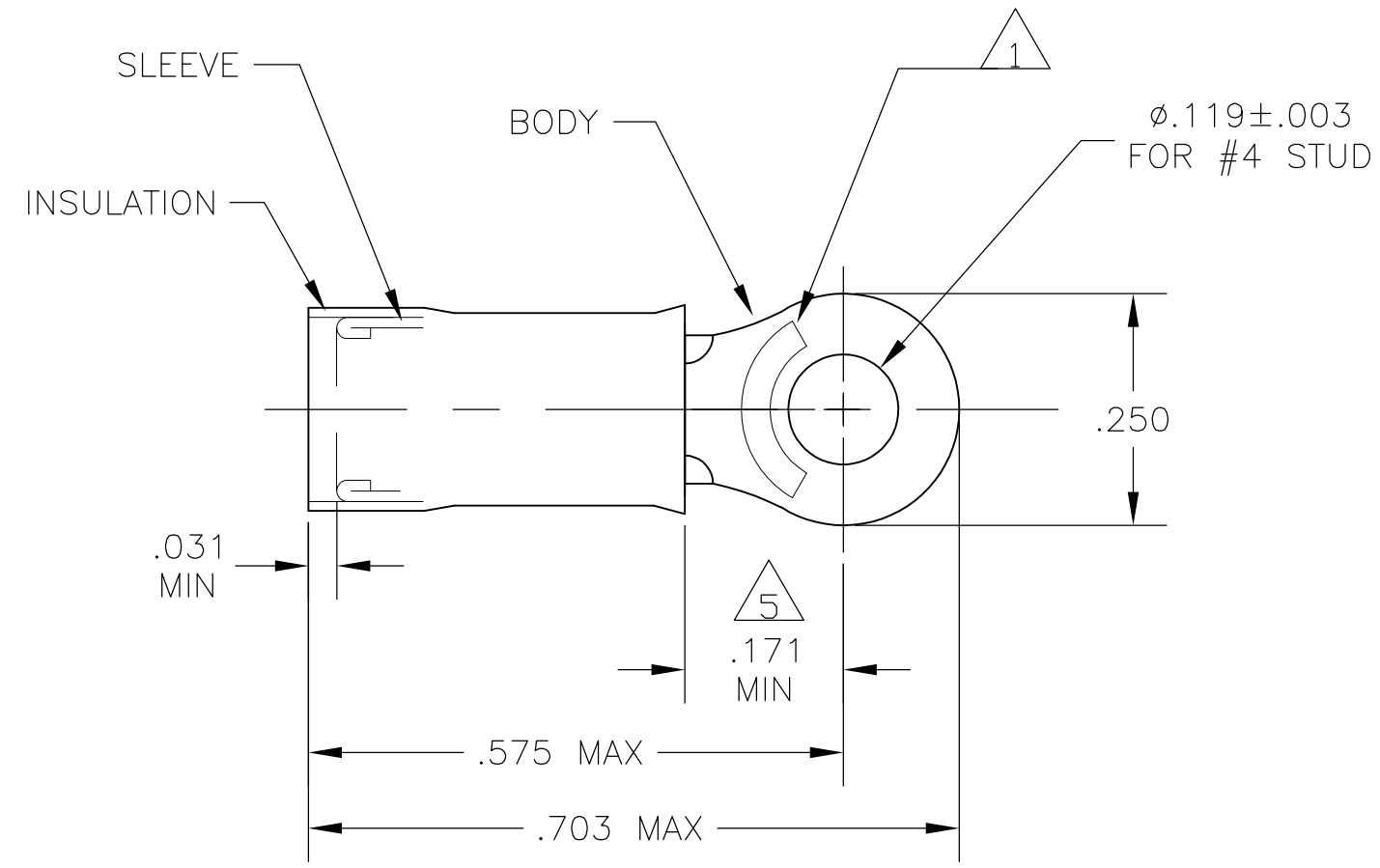


THIS DRAWING IS UNPUBLISHED. RELEASED FOR PUBLICATION
 © COPYRIGHT - By - ALL RIGHTS RESERVED.

LOC	DIST	REVISIONS			
P	LTR	DESCRIPTION	DATE	DWN	APVD
G	14				
	D2	REVISED PER ECO-11-004820	11MAR11	RK	HMR

AMP WIRE RANGE	E13288 Listed	LR7189 Certified
16-14 AWG SOLID OR STRANDED	16-14 AWG SOLID OR STRANDED	16-14 AWG SOLID OR STRANDED



- △ 1 STAMP AMP 16-14* APPROX AS SHOWN
- 2 WIRE INSULATION DIA: .105-.150
- 3 TONGUE MATERIAL THK: .031±.002
- △ 4 BODY & SLEEVE: CU PER ASTM B152
 BODY & SLEEVE: TIN PLATE .000100 MIN
 EXT THK PER ASTM B545
 INSULATION: NYLON PER ASTM D4066
 COLOR - BLUE
- △ 5 APPLIES FROM EDGE OF METAL WIRE BARREL
 TO CENTER OF STUD HOLE.
- △ 6 MEETS MS25036-152, CLASS 1 & 2

QTY	PACKAGE TYPE	MATERIAL FINISH	PART NO
100	LOOSE PIECE, BOX	△ 4	8-324159-1
2500	324159 ON TAPE & REEL	△ 4	2-324159-2
---	LOOSE PIECE	△ 4	△ 6 324159

CUSTOMER SERVICE SYSTEMS		MAX RECOMMENDED OPERATING TEMPERATURE: 170°C MAX
FOR ADDITIONAL PRODUCT INFORMATION OR COPIES OF DRAWINGS AND TECHNICAL DOCUMENTS	PRODUCT INFORMATION CENTER 1-800-522-6752	VOLTAGE RATING: 300 V MAX
FOR APPLICATION TOOLING INFORMATION	TOOLING ASSISTANCE CENTER 1-800-722-1111	CIRCULAR MIL AREA: 1.04-2.62mm ² [2,050-5,180] STRANDED OR SOLID
FOR ORDER ENTRY	1-800-526-5142	THIS DRAWING IS A CONTROLLED DOCUMENT FOR AMP INCORPORATED. IT IS SUBJECT TO CHANGE AND THE CONTROLLING ENGINEERING ORGANIZATION SHOULD BE CONTACTED FOR THE LATEST REVISION.

THIS DRAWING IS A CONTROLLED DOCUMENT.	
DIMENSIONS: INCHES	TOLERANCES UNLESS OTHERWISE SPECIFIED:
	0 PLC ± - 1 PLC ± - 2 PLC ± - 3 PLC ± .008 4 PLC ± - ANGLES ± -
MATERIAL SEE TABLE	FINISH SEE TABLE

DWN JR RUTH 13JAN10	TE Connectivity		
CHK T MICHIELUTTI 13JAN10			
APVD T MICHIELUTTI 13JAN10	NAME TERMINAL, RING TONGUE, PIDG WIRE SIZE: 16-14 AWG		
PRODUCT SPEC ---	SIZE A3	CAGE CODE 00779	DRAWING NO C-324159
APPLICATION SPEC ---	RESTRICTED TO ---		SCALE 5:1
WEIGHT ---	CUSTOMER DRAWING		SHEET 1 OF 1
			REV D2