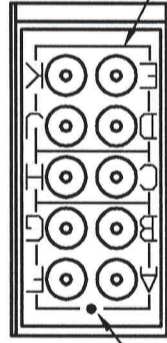


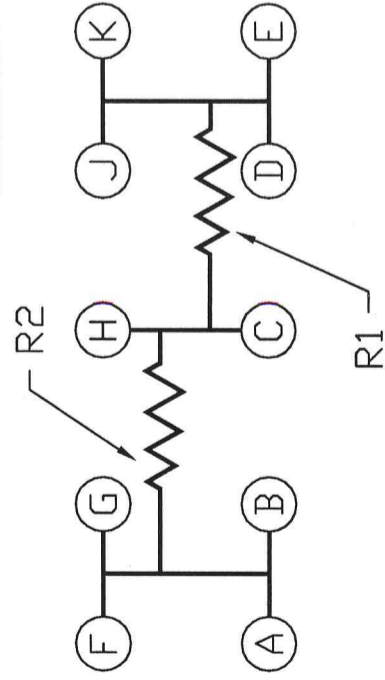
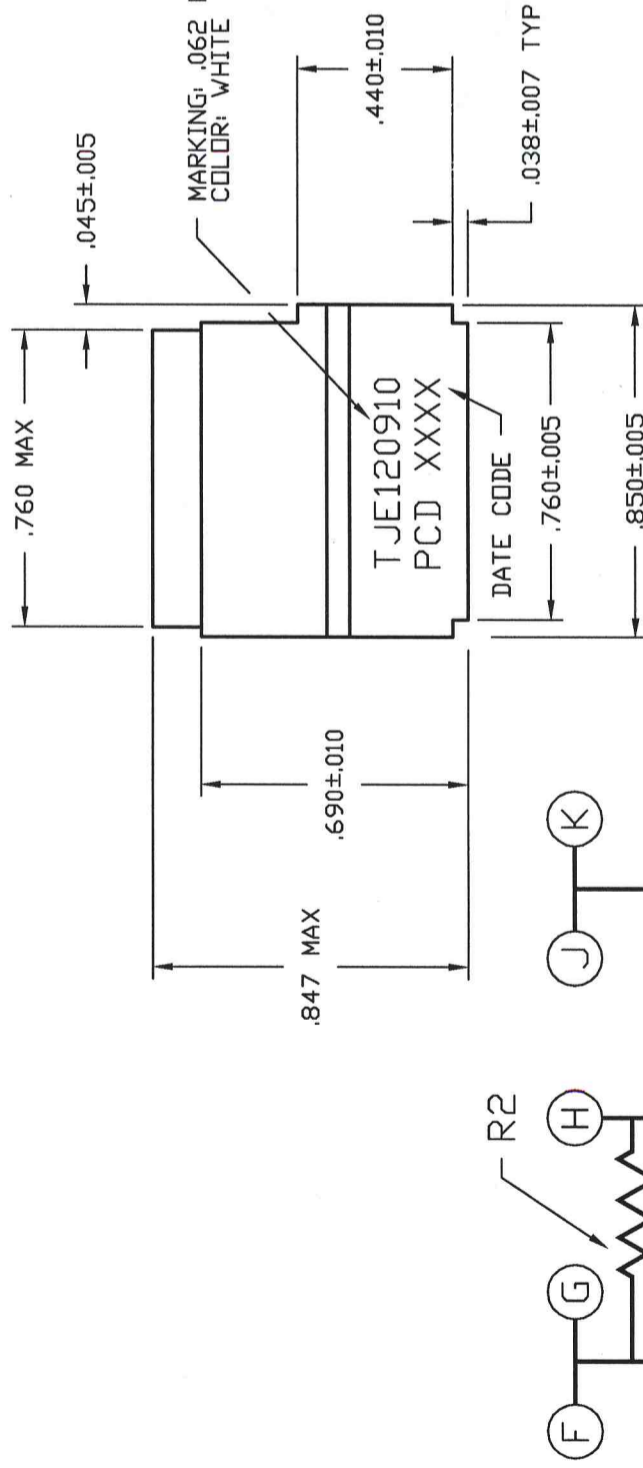
- NOTES:
- PART SHALL MEET ALL REQUIREMENTS OF U.S. AIR FORCE DRAWING NO. X8988385, AND IS DESIGNED IN ACCORDANCE WITH MIL-T-81714 CLASS D
 - MODULE ASSEMBLY CONSTRUCTION:
 - HOUSING - GLASS FILLED PHENOLIC PER MIL-M-14F TYPE MFH, COLOR: BLACK.
 - SEALING GROMMET - SILICONE PER ZZ-R-765, COLOR: BLUE.
 - INTERNAL SOCKET CONTACTS - COPPER ALLOY, GOLD PLATED PER MIL-G-45204, TYPE I, GRADE C, CLASS I.
 - MODULE MARKING AND IDENTIFICATION IS FLUSH WITH SURFACES.
 - INDEXING INDICATOR DETERMINES ORIENTATION OF MODULE WHEN INSTALLED IN MOUNTING TRACK.
 - MODULE IS DESIGNED FOR INSTALLATION IN MOUNTING TRACKS PER MIL-T-81714/5 & 16, PCD TJT SERIES.
 - RECOMMENDED EXTERNAL PIN CONTACT SERVICE TOOLS -
 - CRIMP TOOL #M22520/2-01 WITH POSITIONER #M22520/2-11.
 - INSTALLING/REMOVAL TOOL #M81969/14-02, PCD #CNA078001.
 - MODULE ACCEPTS
 - MATING PIN CONTACTS #M39029/1-101, PCD #CNP006000.
 - SEALING PLUGS #MS27488-20, PCD # CNA032401.
 - INTERNAL RESISTORS
 - R1 - 34.8K +/- 1% .125W (RNC55H3482FS).
 - R2 - 21.5K +/- 1% .125W (RNC55H2152FS).

GROMMET MARKING
COLOR: YELLOW



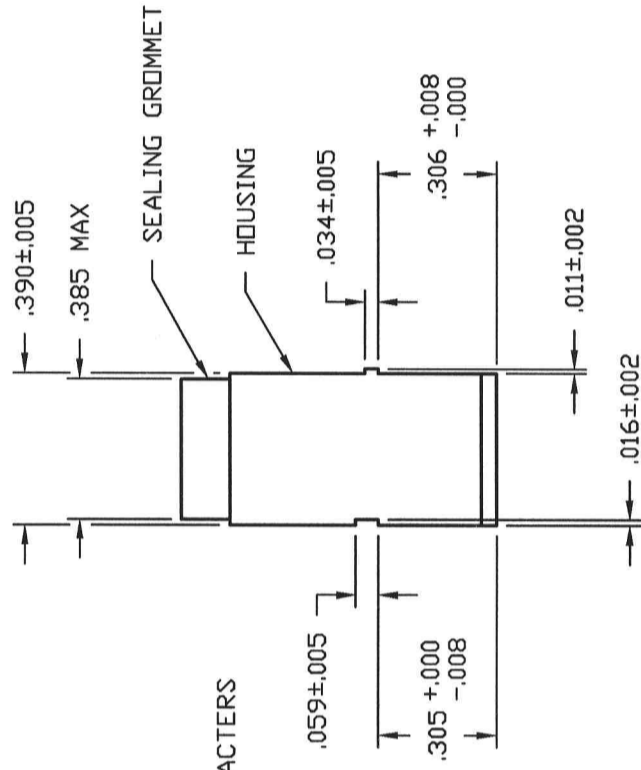
INDEXING INDICATOR

BUSSING INDICATOR



REVISIONS

REV	ECN	DESCRIPTION	DATE	APPD
1		PRE-RELEASE	11/29/89	D.S.
2		RNN RSTR WAS RNR	1/29/90	B.A.
3		RNC RSTR WAS RNN	12/5/90	B.A.
-	1853	RELEASE		



AIR FORCE P/N X8999355

TOLERANCES (INCHES)	THIRD ANGLE PROJECTION	DRWN
.XX±		B:AMICD 11/17/89
.XXX±		CHKD
ANGLES±		ENGR
THIS DOCUMENT CONTAINS PROPRIETARY INFORMATION WHICH IS THE CONFIDENTIAL PROPERTY OF PRECISION CONNECTOR DESIGNS, INC.		APPD

		2 TECHNOLOGY DR. PEABODY, MA. 01960	
TITLE TERMINAL JUNCTION ELECTRONIC MODULE SIZE 20 SPECIAL			
SIZE	CODE NO.	DRAWING NO.	REV
C	58982	TJE120910	-
SCALE: 3 : 1			SHEET 1 OF 1

MODULE NOT SUPPLIED WITH
PIN CONTACTS OR SEALING PLUGS