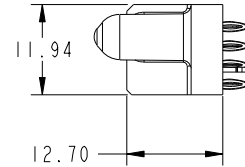
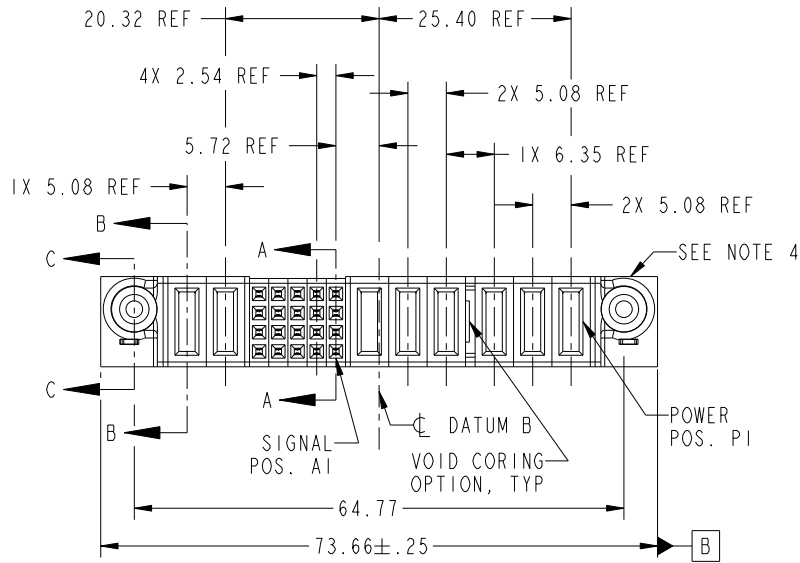


Tous droits strictement réservés. Reproduction ou communication a des tiers interdite sous quelque forme que ce soit sans autorisation écrite du propriétaire. Propriété de c.FCI. Droits de reproduction FCI.

All rights strictly reserved. Reproduction or issue to third parties in any form whatever is not permitted without written authority from the proprietor. Property of FCI. Copyright FCI.



PRODUCT NO.	ROWS	POWER		SIGNAL					POWER					E1							
		E2	P8	P7	5	4	3	2	1	P6	P5	P4	P3		P2	P1					
51940-209-- NOTE: 3	D C B A		PF	PF	F	F	F	F	F	F	F	F	F	F	F	F	F	F	F	F	



CODE	DIM "M" MATING LENGTH	CONTACT TYPE
PF	[2.34]	POWER
F	[N/A]	SIGNAL
HA	[N/A]	HOLD-DOWN

mat'l code				SEE NOTES		tolerances unless otherwise specified		CUSTOMER		 www.fciconnect.com	
lir	ecn no.	dr	date	linear	0.X ±0.3		COPY		title 6P + 20S + 2P VERTICAL PF RECEPT		
A	DG07-0025	JULIA	01/17/07		0.XX ±0.13		projection				
					0.XXX ±0.051						
				angles	0° ±2°		 MM		product family PwrBlade code 213		
				dr	JULIA WANG	11/15/06	scale 1:1		size dwg no 51940-209 sheet 1 of 4		
				engr	RYAN YUAN	11/15/06					
				chr	BEER FU	11/15/06					
				appd	JOSEPH HSIA	11/15/06					
sheet index	revision sheet	A 1	A 2	A 3	A 4						

A

A

B

B

1 | 2

3

4

Pro/E

PDM: Rev: A

STATUS: Released

Printed: Dec 20, 2010

cage code 2856

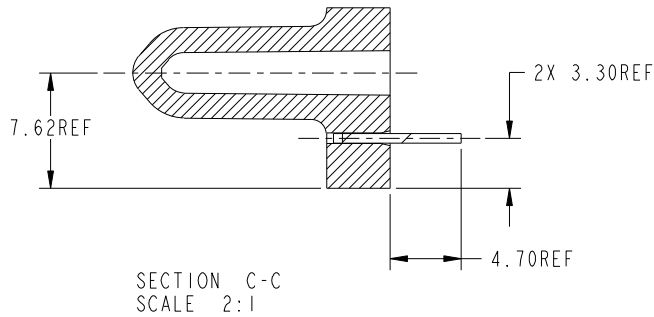
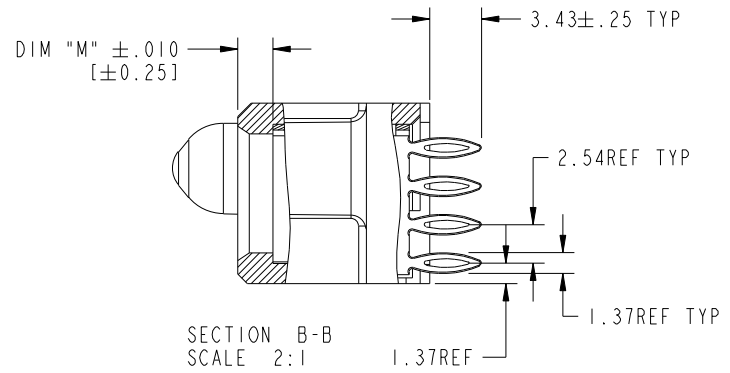
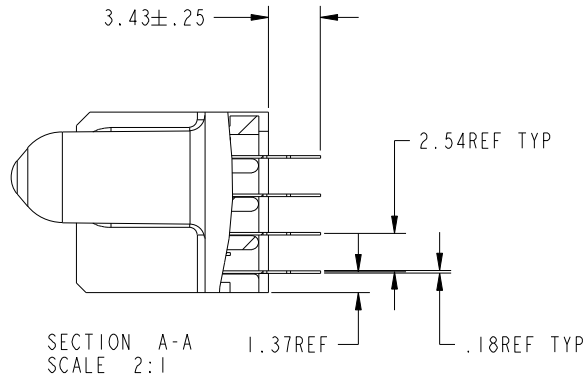
Tous droits strictement reserves. Reproduction ou communication a des tiers interdite sous quelque forme que ce soit sans autorisation ecrite du proprietaire. Propriete de c FCI. Droits de reproduction FCI.

All rights strictly reserved. Reproduction or issue to third parties in any form whatever is not permitted without written authority from the proprietor. Property of FCI. Copyright FCI.



PRODUCT NUMBER

51940-209\_\_  
NOTE: 3



mat'l code				tolerances unless otherwise specified		CUSTOMER		FCI		www.fciconnect.com	
lfr	ecn no.	dr	date	linear	0.X ± 0.3	COPY		title			
A					0.XX ± 0.13	projection		6P + 20S + 2P			
				angles	0.XXX ± 0.051	⊕ ↗		VERTICAL PF RECEIPT			
				dr	0° ± 2°	MM		product family		code	
				engr	JULIA WANG 11/15/06	↔		PwrBlade		213	
				chr	RYAN YUAN 11/15/06	scale		size dwg no		sheet	
				appd	BEER FU 11/15/06	1:1		A 51940-209		2 of 4	
					JOSEPH HSIA 11/15/06						
sheet index	revision sheet										

cage code 2856

Pro/E

PDM: Rev: A

STATUS: Released

Printed: Dec 20, 2010



Tous droits strictement réservés. Reproduction ou communication a des tiers interdite sous quelque forme que ce soit sans autorisation écrite du propriétaire. Propriété de c.FCI. Droits de reproduction FCI.

All rights strictly reserved. Reproduction or issue to third parties in any form whatever is not permitted without written authority from the proprietor. Property of FCI. Copyright FCI.



1 | 2

3

4

PRODUCT NUMBER

51940-209\_\_  
NOTE: 3

NOTES:

1. DIMENSIONS AND TOLERANCES ARE IN ACCORDANCE WITH ASME Y14.5M, 1994 UNLESS OTHERWISE SPECIFIED.

CONNECTOR NOTES:

- ② HOUSING MATERIAL: UL 94 V-0 GLASS FILLED  
HIGH-TEMP THERMOPLASTIC  
POWER CONTACT MATERIAL: COPPER ALLOY  
SIGNAL PIN MATERIAL: COPPER ALLOY
- 3. PLATING SPEC.  
51940-209,51940-209LF PLATING SPEC. WAS SHOWN IN THE PRINT OF 10064183.
- ④ MANUFACTURER'S NAME, P/N, AND DATE CODE TO APPEAR ON THIS SURFACE.
- 5. PRODUCT SPECIFICATION GS-12-149.  
APPLICATION SPECIFICATION BUS-20-067.
- 6. PACKAGED IN TRAYS.

PCB NOTES:

- 7. ALL HOLE DIAMETERS ARE FINISHED HOLE SIZE.
- ⑧ MOUNTING HOLES, WHERE APPLICABLE, ARE UNPLATED.
- ⑨  $\varnothing 1.151 \pm 0.025$  DRILLED HOLES PLATED WITH  
0.008 MIN SnPb OR Sn OVER 0.03  
TO 0.08 Cu PLATING TO ACHIEVE  
 $\varnothing 1.02 \pm .07$  HOLE.
- ⑩ "DIM XXX" TO BE DETERMINED BY THE CUSTOMER.
- ⑪ CONNECTOR KEEP-OUT ZONE.

mat'l code				tolerances unless otherwise specified		CUSTOMER		FCI		www.fciconnect.com	
lfr	ecn no.	dr	date	linear	0.X ±0.3		COPY		title 6P + 20S + 2P VERTICAL PF RECEPT		
A					0.XX ±0.13		projection				
					0.XXX ±0.051						
				angles	0° ±2°				product family PwrBlade code 213 sheet 4 of 4		
				dr	JULIA WANG	11/15/06	MM				
				enr	RYAN YUAN	11/15/06	scale				
				chr	BEER FU	11/15/06	1:1				
				appd	JOSEPH HSIA	11/15/06	A				
sheet index	revision sheet										

1 | 2

Pro/E

PDM: Rev: A

STAT: Released

Printed: Dec 20, 2010

cage code 2856

4