



PRODUCT OVERVIEW

Murata Power Solutions' DCM20 series DC power meters display the most critical measurements in DC-powered equipment: voltage, amperage and power. A front panel selector switch provides two modes of operation: a fixed reading of any of the three parameters, or a continuous cycling through all three measurements. In fixed-reading mode, the function to be displayed (V/A/W/kW) is selected by a capacitive touch sensor, avoiding the wear-out issues often seen with membrane or other mechanical control switches.

The DCM20 typically requires 6 mA of operating current at a supply voltage of 12 VDC, and only 2 mA at 72 VDC. This feature allows it to be added to existing systems with minimal electrical loading effects.

The DCM20 can be powered from a DC power supply ranging from 9 to 72 VDC. The meter supports two fundamental voltage measurement configurations. In the first configuration, the DCM20 is powered from the DC power supply line which it is monitoring. When used in this way, it can provide voltage measurements in the range of 9 - 72 VDC, as it is unpowered at lower voltages. The DCM20 may also be configured such that it is powered from a separate power supply than that which is monitoring. When used in this way, it can support voltage measurements over the entire 0.5 to 72 VDC range.

For current and power measurements, DCM20 series DC power meters require the use of an external shunt resistor. The DCM20's wide common-mode input range (0 to 72 V) supports both high-side and low-side current sensing in a variety of applications. A 4-position DIP switch supports field selection of 16 shunt calibration factors. Additionally, a 12-turn trim potentiometer is also provided on the rear of the meter to support precision field calibration of the meter to the actual shunt value.

A large (0.36 in/9.2 mm), bright LED display makes DCM20 DC power meters easily readable from as far as 15 feet (5 meters). All units are packaged in a one-piece, vibration resistant, polycarbonate housing that can be installed in 0U rack components and vertical rack spaces as small as 1U. Their miniature size is perfect for laboratory instrumentation, alternative energy applications, standby power supplies and any other products that require precise monitoring of DC voltage, current, and power.

FEATURES

- Displays DC volts, amperes, watts and kilowatts.
- Two display modes: continuous auto cycling or fixed.
- 9 - 72 VDC voltage operation.
- 0.5 - 72 VDC voltage measurement range.
- 0 -1200 A current measurement range (dependent on external shunt).
- 0 - 96 kW power measurement range.
- Supports both high-side and low-side current monitoring.
- Long-life contactless touch-sensor function selector switch.
- Low current consumption (< 10 mA at 12 VDC).
- Internal self-resetting fuse
- One-piece polycarbonate housing fits '0U' & '1U' racks.
- Compact surface mount design occupies minimal panel space.
- Bright LED-display with four function annunciators.
- Choice of red, green, or blue display.

SIMPLIFIED SCHEMATIC DIAGRAM

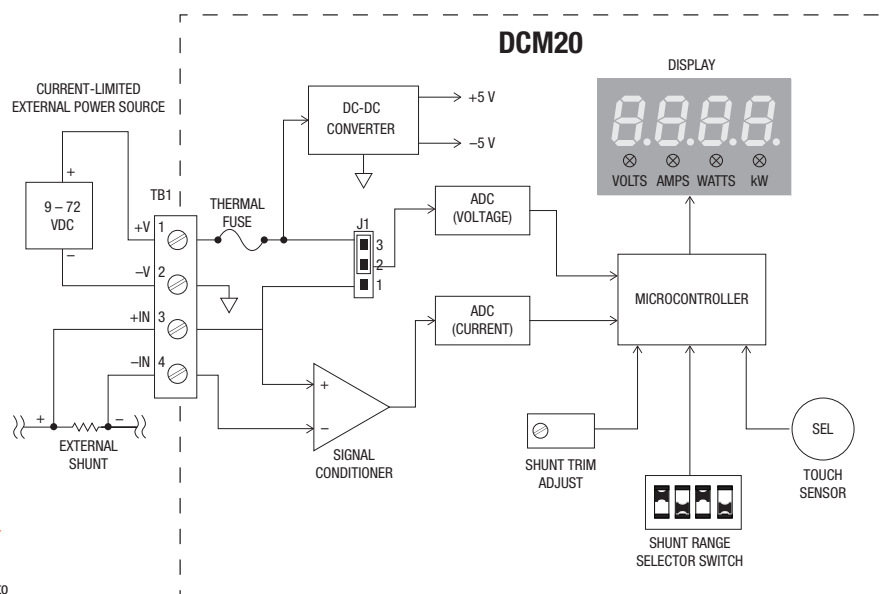


Figure 1. Simplified Schematic



Performance/Functional Specifications

Typical at TA = +25°C, V+ = 12 VDC unless otherwise specified

Measurement Limits	Min	Typ	Max	Units
DC Voltage (A)	0.5 V		72	V DC
DC Current (B)				
Range '1' - 10 mΩ external shunt	-5		5	A DC
Range '16' - 41.67 μΩ external shunt	-1200		1200	
Current Shunt Differential Voltage Range (C)	-100		+100	mV DC
Current Shunt Common-mode Voltage Range (D)	0		72	V
Current Fine Trim Range using Trim Potentiometer		±1%		
Power				
Watts Display Mode	0		9999	W DC
Kilowatts Display Mode	0		96	kW DC
Performance				
Display Update Rate	2.5 updates/sec.			
Voltage Accuracy		± 1%	± 2%	% Full-scale
Current Accuracy		± 2%	± 3%	
Power Accuracy		± 2%	± 3%	
Temperature Drift (0 - 60)		+/- 0.5		Counts/°C
Zero Current Reading (within 1 sec.)		+/- 4		Count
Operating Supply Voltage	9		72	V DC
Operating Supply Current (E)				
12 V operation		6	10	mA
72 V operation		2	5	
Display				
Display Type and Size	4 Digit LED, 9.14 mm (0.36 in) Height 4 LED Annunciators ('Volts,' 'Amps,' 'Watts,' 'kW')			
Over-range Indication	Flashing Display			
Decimal Point Selection	Automatically Set			
TB1 Terminal Block				
Wire Size	Copper Wire 14-24 AWG			
Insulation Strip Length	6mm (0.24 in)			
Screw Tightening Torque	4.6 in - lb (0.51 N-m)			
Physical/Environmental				
Operating Temperature	0		+60	°C
Storage Temperature	-40		+75	°C
Humidity (non-condensing)	0		85	%
Dimensions	See figure 6			
Weight	Unit Weight: 1.02 oz / 29g Net Package Weight: 12.28 oz / 348g Gross Package Weight: 22.05 oz / 625g			
Hex Nut Tightening Torque	20 in - oz (0.14 N-m)			

(A) Voltage measured across +V (TB1-1) and -V (TB1-2) OR +IN (TB1-3) and -V (TB1-2) terminals.

(B) Current measurement range dependent on external shunt selection.

(C) Applied to +IN (TB1-3) and -IN (TB1-4) terminals.

(D) Voltage applied across +IN (TB1-3) and -V (TB1-2) terminals.

(E) Current drawn by +V (TB1-1) terminal when operating voltage applied across +V (TB1-1) and -V (TB1-2) terminals.

ORDERING INFORMATION

DCM20-1-DC5-R-C	(Red Display)
DCM20-1-DC5-G-C*	(Green Display)
DCM20-1-DC5-B-C*	(Blue Display)

*Consult factory for availability

TECHNICAL NOTES



IMPORTANT! To ensure safe and reliable operation, DCM20 power meters must be installed and serviced by qualified technical personnel. Contact Murata Power Solutions if there is any doubt regarding their installation or operation.

- 1. Measurement Type:** DCM20 series multifunction DC power meters employ precision ADCs and a low-power microcontroller to measure and display DC voltage, current and power. The choice of measurement is selectable through the front panel. The meters measure DC current using an external series shunt resistor which is inserted into the circuit to be measured. Because the DCM20 has a wide common-mode input range (0 - 72 VDC), the shunt resistor may be inserted into either the high-side (supply) or the low-side (return) of the circuit being monitored.

DC Voltage may be monitored either at the meter's **+IN** (TB1-3) input terminal or at the meter's **+V** (TB1-1) power input terminal, based on the setting of jumper block **J1**. The choice of voltage monitoring input is selected based on the application requirements.

The DCM20 derives its DC power measurement by multiplying the measured current by the measured voltage. Power is always reported as a positive quantity, regardless of the polarity of the measured current. (Power = I Voltage × Current I).

- 2. Basic Operation:** Upon first application of power to the meter, the unit will first perform a self-test routine and then continuously display DC volts with the VOLTS LED annunciator illuminated. The display will remain in the VOLTS mode as long as the front panel 'SEL' button is not touched. After the unit powers up to normal operation in the VOLTS reading mode, momentarily (approximately one second) touching the 'SEL' button on the unit's front panel twice in succession will cycle the display to AMPS, and then to WATTS (or kW, depending on the power measurement value). Momentarily touching 'SEL' a third time will return the display back to the VOLTS reading mode. Holding the 'SEL' button down for 5 seconds will place the unit in a continuous auto-cycling mode, and the display will repetitively scroll through all three measurements, with each measurement remaining displayed for 3 seconds.

When the continuous auto-cycling mode is initially selected, the unit will briefly display 'Auto On' before continuous cycling begins. Momentarily touching the 'SEL' button again will cause the unit to briefly display 'Auto OFF' before it returns to the fixed VOLTS reading mode.

The power-up default display mode (Volts/Amps/Watts/Auto-cycle) may be selected by simply leaving the DCM20 in a given display mode for 60 seconds or more. The next time the meter powers up, it will do so in the new default mode. The default mode may be reset by selecting a new operating mode and leaving the meter in that mode for 60 seconds or longer.

- 3. Calibration:** The DCM20's voltage measurement function is factory-calibrated and cannot be field-calibrated. Because the meter is designed to work with a wide range of shunt resistors for current measurement, however, field configuration and fine adjustment of the current measurement function is supported. The DCM20's shunt scaling factor is selected by a 4-position DIP switch SW1 on the rear of the unit (refer to figure 9, Mechanical Specifications). A total of 16 ranges are supported. Table 1 lists supported current ranges and their associated switch settings, and also includes recommended Murata shunt resistors for selected ranges. Additionally, a trimmer potentiometer on the rear of the unit supports fine adjustment of the shunt scaling factor to accommodate tolerance errors

in the shunt value. Because adjusting the meter using this potentiometer requires that the DCM20 be powered up and measuring current, this operation should only be performed by qualified personnel using an insulated adjustment tool.

Table 1. Shunt Range Selection

Range	SW1 Setting	Full-scale Current Range (A)	Full-scale Power Range	Shunt Voltage (mV)	Recommended Murata Shunt Resistor P/N
1	1	5.000	400.0 W	50	3020-01097-0
2	1	10.00	800 W	100	3020-01107-0
3	1	20.00	1600 W	50	3020-01098-0
4	1	50.00	4000 W	50	3020-01096-0
5	1	50.00	4000 W	100	--
6	1	75.00	6000 W	50	--
7	1	100.0	8000 W	50	3020-01099-0
8	1	100.0	8000 W	100	3020-01108-0
9	1	150.0	2.00 kW	50	3020-01100-0
10	1	200.0	6.00 kW	50	3020-01101-0
11	1	300.0	24.00 kW	50	3020-01102-0
12	1	400.0	32.00 kW	50	--
13	1	500.0	40.00 kW	50	3020-01103-0
14	1	800.0	64.00 kW	50	3020-01104-0
15	1	1000	80.00 kW	50	3020-01105-0
16	1	1200	96.00 kW	50	3020-01106-0

- Shunt Selection:** Table 1 lists recommended current shunts available from Murata Power Solutions for current ranges supported by the DCM20. Please note that a given shunt may not necessarily support continuous operation at the extreme limits of its measurement range. The maximum current that a shunt may be safely operated at is also highly dependent on application conditions such as ambient temperature, airflow and mounting position. Before selecting and installing a shunt, you should refer the shunt's datasheet for details on correct operation.
- Jumper Configuration:** The setting of jumper **J1** determines the source of voltage to be measured. When the shorting block is placed over posts J1-1 and J1-2, the DCM20 measures the voltage between the **+IN** (TB1-3) connector terminal and the **-V** (TB1-2) connector terminal. When the shorting block is placed over posts J1-2 and J1-3, the DCM20 measures the voltage between the **+V** (TB1-1) and **-V** (TB1-2) connector terminals. The meter must have the shorting block placed on jumper **J1** for normal operation. Jumper block **J1** is located on the rear of the meter as shown in figure 9 (mechanical drawing). The DCM20 is shipped with the shorting block placed across jumper pins J1-2 and J1-3.
- Wiring:** Power supply and input wiring must be rated for the electrical and environmental conditions under which the meter will be operated. They must also comply with any regulatory or application-mandated

requirements pertaining to the user's installation. Connections to DCM20 meters must be made with all power sources de-energized. Refer to the Functional Specifications section for detailed wire type and wire gauge information.

Wiring insulation should be stripped to 6 mm (0.24 in). All wires must be inserted into the terminal block openings such that the screw terminal does not pinch any insulation. After final assembly, inspect all terminal block connections for shorts between adjacent conductors; this step is particularly important when using stranded wire.

- Protection and Fusing:** DCM20 meters' power supply leads are protected against momentary overvoltage (**+V - -V**) > 72 V) and reverse polarity conditions (**+V - -V**) < 0 V). The **+V** (TB1-1) power supply line is also protected with an internal self-resetting thermal fuse. The meter's **+IN** (TB1-3) and **-IN** (TB1-4) terminals are protected against brief voltage transients. Neither set of inputs is protected against sustained conditions exceeding the limits listed in the Performance & Functional Specifications table. External fusing must be supplied by the user in accordance to applicable safety and regulatory requirements for the system in which the DCM20 is installed.
- Shunt Polarity:** While the external current shunt has no intrinsic 'polarity', the way in which it is connected into the circuit being measured will influence the polarity of current as measured by the meter. The relationship between current direction and meter reading is shown in figure 2.

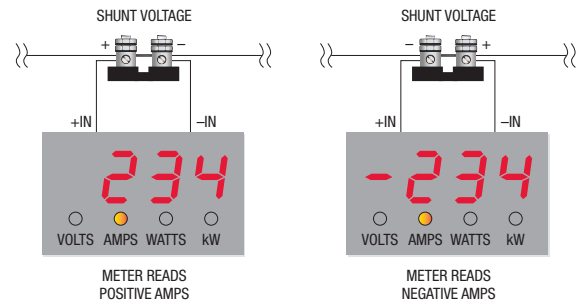


Figure 2. Relationship between shunt voltage polarity and meter reading

- Terminal Block Wire Size & Torque Ratings:** It is important to tighten all screw-terminals to their torque specification of 4.5 in - lb (0.51 N-m). Proper tightening will help ensure reliable operation. Applications subject to vibration should use stranded wire.
- Typical Wiring Diagrams:** The DCM20 is a flexible voltage, current, and power measurement device, supporting both high-side and low-side shunt configurations. This section describes four of the most common ways in which the DCM20 may be used.

In figure 3, the current shunt is inserted into the load's positive supply line, which is known as high-side measurement. The DCM20 is also powered from this line. In this configuration the shorting block on jumper **J1** should be connected across pins J1-1 and J1-2. Because the meter is powered from the line being monitored, useful measurements can only be made on DC line voltages in the range of 9 - 72 VDC, as at lower voltages the meter will not be powered. In this configuration, the DCM20 measures the sum of both the load power and the power dissipated by the shunt.

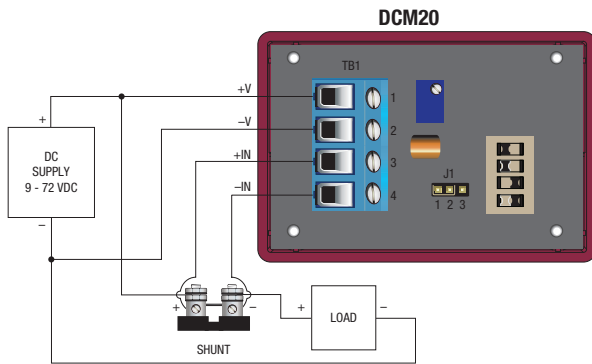


Figure 3. High-side current measurement, meter powered from DC line

Figure 4 shows the case where current is also measured at the high-side of the load but the meter is powered from an independent supply. Because the meter is now independently powered, it can now measure voltage and power over the full range of 0.5 to 72 VDC. In this configuration the shorting block on jumper **J1** should be connected across pins **J1-1** and **J1-2** so that the meter measures the voltage at the **+IN** (TB1-3) terminal. In this configuration, the meter measures the sum of both the load power and the power dissipated by the shunt resistor.

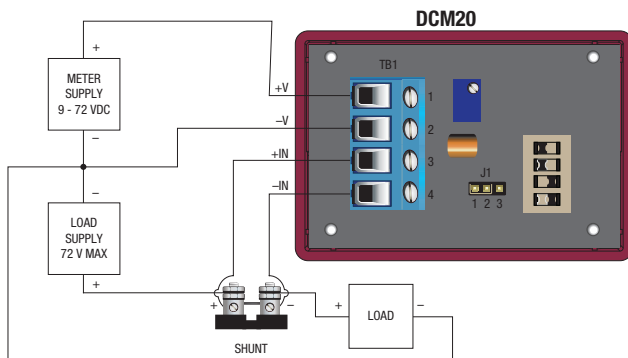


Figure 4. High-side current measurement, independent meter supply

Figure 5 shows a high-side shunt configuration in which the power dissipated by the shunt is excluded from the measurement. In this case, the meter's **+V** (TB1-1) terminal is connected to the **-IN** (TB1-4) terminal and the meter both derive power and the voltage measurement from this point in the circuit. Measuring voltage through the **+V** (TB1-1) pin requires that the shorting block be connected across pins **J1-2** and **J1-3** of jumper **J1**. Because the meter requires very little operating power, its addition to the load will typically influence neither the current nor power measurements to a significant degree.

Figure 6 shows a configuration where the shunt is inserted into the load return line and measures the current through that connection. In this case, the meter must be powered from the DC line though the **+V** (TB1-1) input, as the **+IN** (TB1-3) input only detects the voltage across the shunt (< 100 mV). For this reason the jumper shorting block should be placed across pins **J1-2** and **J1-3** of jumper **J1** to enable measurement of voltage from the **+V** (TB1-1) input. The total power reported in this configuration is the sum of the load power plus the shunt power dissipation.

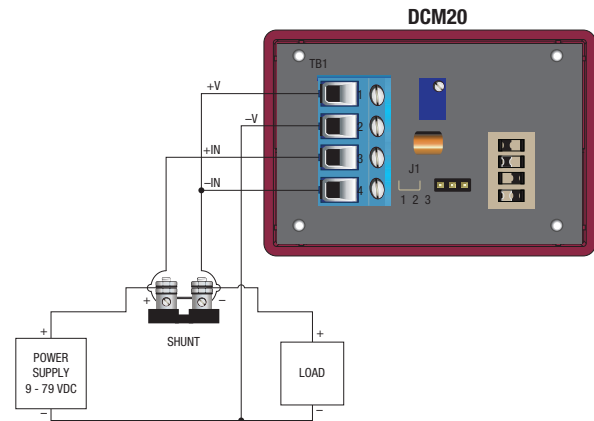


Figure 5. High-side current measurement, shunt power excluded

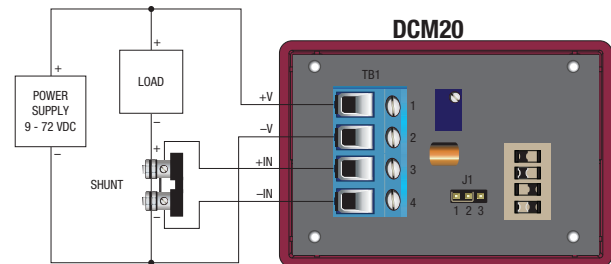


Figure 6. Low-side current measurement

Table 2. J1 Jumper Settings*

Measurement Configuration	Figure	Voltage Measured at . .	Jumper Across Pins
High-side current measurement	3	+IN (TB1-3)	1-2
High-side current measurement, independent meter supply	4	+IN (TB1-3)	1-2
High-side current measurement, shunt power excluded	5	+V (TB1-1)	2-3
Low-side current measurement	6	+V (TB1-1)	2-3

*Product shipped with jumper across pins 1 and 2.

11. Noisy Power Supplies: Some power supplies contain high-frequency switching devices that may conduct and/or radiate significant noise onto the low-level signal developed across the internal shunt. Even though DCM20 ammeters incorporate built-in input filtering, some portion of this noise may be amplified and subsequently measured by its sensitive input circuitry. The amplified noise introduces errors that are particularly noticeable at zero load current (i.e., the ammeter function may not display a relatively steady “000” reading). Connecting an external, non-polarized capacitor across the **+IN** and **-IN** inputs can help reduce noise-related display errors. In certain situations, the use of twisted pair or shield wiring may be required. As a general rule, avoid using excessively long leads between the shunt and the meter's **+IN** (TB1-3) and **-IN** (TB1-4) inputs.

PANEL INSTALLATION

All connections to DCM20 power meters must be made after the unit is securely attached to the panel and with all associated load and supply voltages de-energized (off), using extreme caution and observing all safety measures applicable to the user's installation.

The installed wire-positions should be such that minimal mechanical forces are applied to TB1 or to the DCM20 power meter itself. In high-vibration environments, it is strongly recommended that adequate strain reliefs be used for all wiring.

Using figure 7 as a guide, carefully insert the DCM20 assembly into the panel opening. From the rear of the panel, install and then tighten the

four #2-56 hex nuts over the threaded studs. **Tighten each nut to 15 to 20 in - oz (0.106 to 0.140 N-m).** Use only the factory-supplied hardware as the use of substitute hardware could result in an unsafe installation and/or adversely affect the reliability of the installation.

The recommended range of panel thickness that can be used with the supplied hardware is 0.040 in (1.0 mm) to 0.25 in (6.4 mm). Panel thicknesses outside of this range may require additional user-supplied hardware or modifications. Refer to the panel cutout drawing (figure 8) for recommended drill and cutout dimensions.

PANEL INSTALLATION

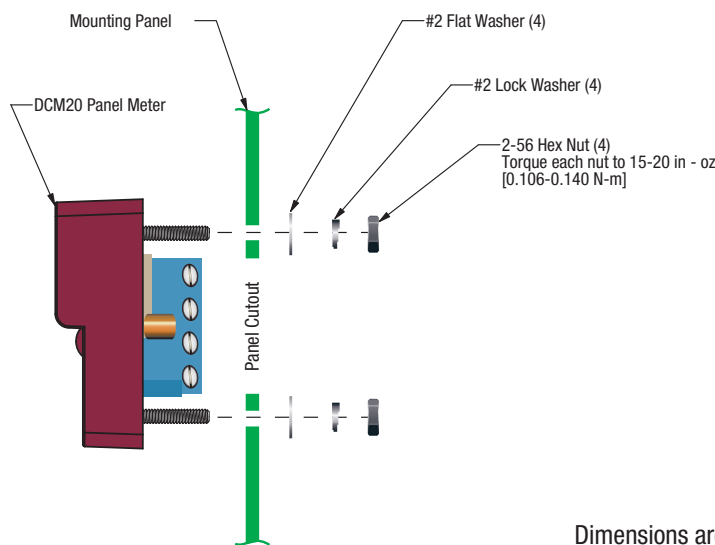


Figure 7. Panel installation

PANEL CUTOUT

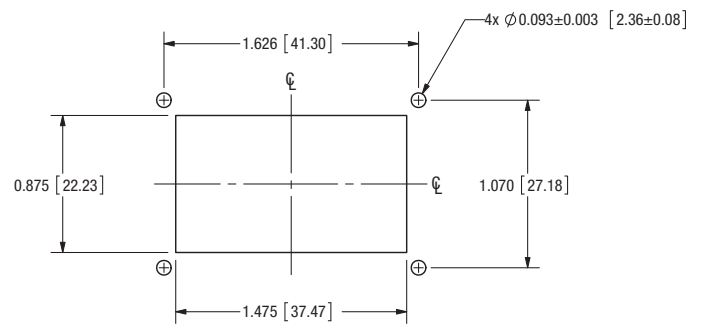


Figure 8. Recommended panel cutout dimensions

Dimensions are in Inches [mm]

Tolerances (Unless Otherwise Specified)

- 2 Place ± 0.02 [0.5]
- 3 Place ± 0.010 [0.25]

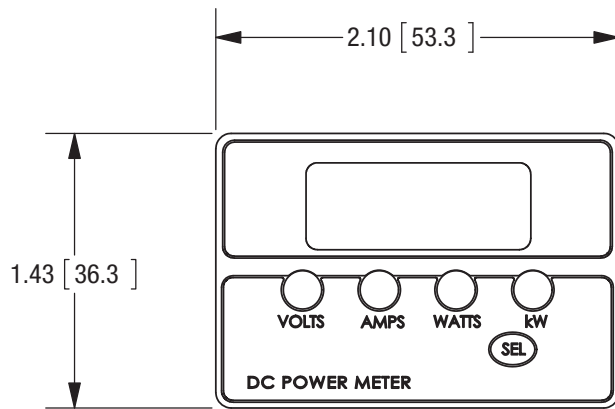
1. Description of safety marks:

- Caution, risk of electrical shock
- Caution, risk of danger
- Equipment is protected throughout by double or reinforced insulation

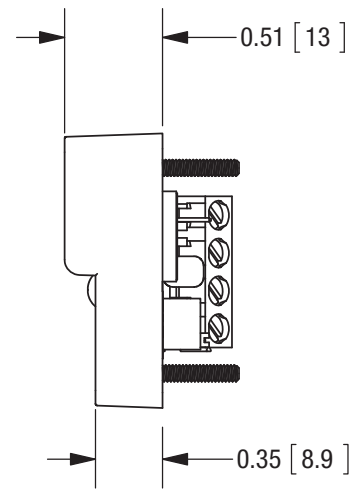
2. Cleaning Instructions: Gently clean with dry cloth only.

3. Caution: if the equipment is used in a manner not specified by Murata Power Solutions, the protection provided by the equipment may be impaired.

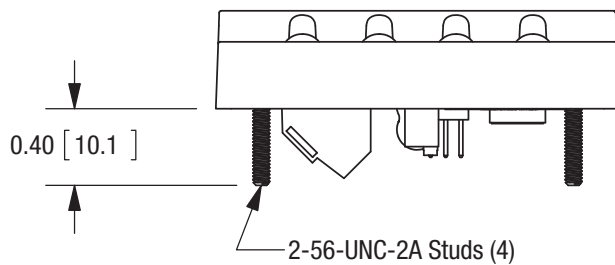
MECHANICAL SPECIFICATIONS



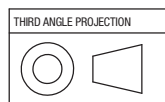
Front View



Side View



Bottom View

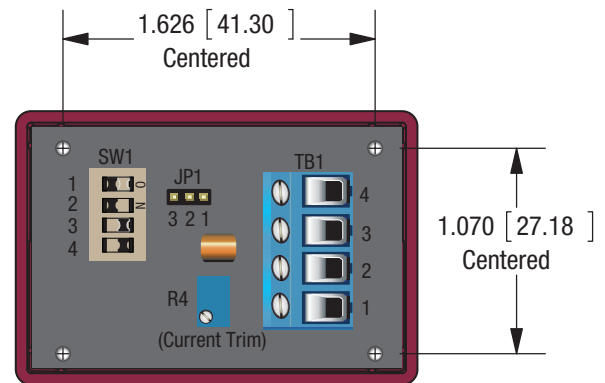


Components are shown for Ref Only

Dimensions are in Inches [mm]

Tolerances (Unless Otherwise Specified)

- 2 Place ± 0.02 [0.5]
- 3 Place ± 0.010 [0.25]



Rear View

Figure 9. Mechanical specifications



This product is subject to the following operating requirements and the Life and Safety Critical Application Sales Policy:
Refer to: <http://www.murata-ps.com/requirements/>

Murata Power Solutions, Inc. makes no representation that the use of its products in the circuits described herein, or the use of other technical information contained herein, will not infringe upon existing or future patent rights. The descriptions contained herein do not imply the granting of licenses to make, use, or sell equipment constructed in accordance therewith. Specifications are subject to change without notice. © 2018 Murata Power Solutions, Inc.