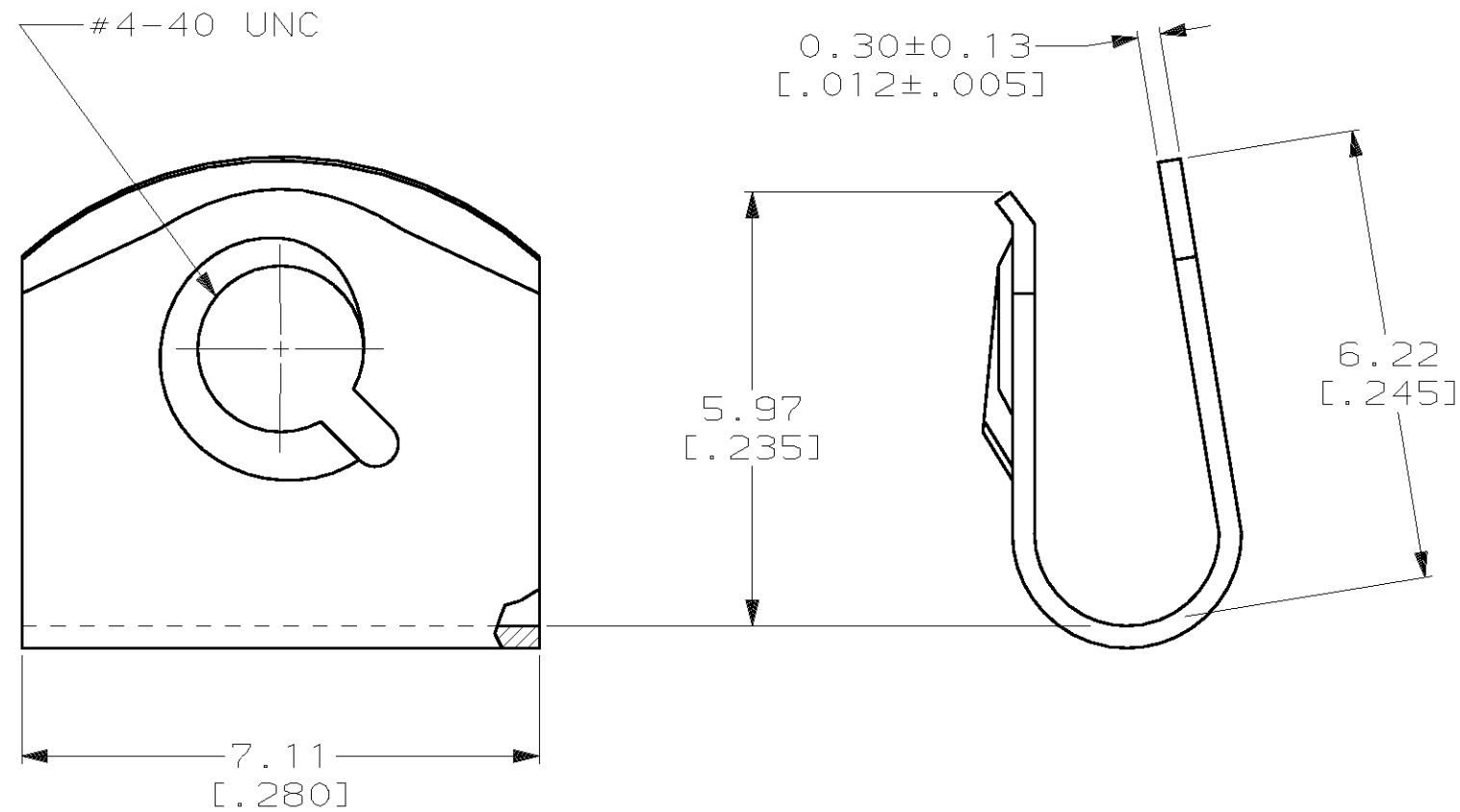


THIS DRAWING IS UNPUBLISHED. RELEASED FOR PUBLICATION, 19  
 © COPYRIGHT 19 BY AMP INCORPORATED. ALL INTERNATIONAL RIGHTS RESERVED.

| MOD | LOC | DIST | P | F | ZONE | LTR | DESCRIPTION          | DATE      | APPD |
|-----|-----|------|---|---|------|-----|----------------------|-----------|------|
| -   | GP  | 00   |   |   |      | B   | REV PER 0U1D-0274-00 | 22 OCT 01 | JR   |

1 STAINLESS STEEL PER ASTM A666.



**METRIC**

745564-1  
 PART NUMBER

|  |                          |                         |  |
|--|--------------------------|-------------------------|--|
| DO NOT SCALE PRINT. UNLESS SPECIFIED DIMENSIONS IN mm [INCHES] TOLERANCES ON:<br>2 PLC DEC ± 0.51 [0.020]<br>3 PLC DEC ± -<br>ANGLES ± - |                          | DR 07/26/90<br>B. MOYER | <b>AMP</b> AMP Incorporated<br>Harrisburg, PA 17105-3608 |
| MATERIAL   | CHK 8-2-90<br>R. STONE   | NAME                    |  |
| FINISH   | APPD 8-2-90<br>B. TAYLOR | PRODUCT SPEC            | SCREW RETAINER, HDE                                      |
|  | APPD 8-3-90<br>J. ASSINI | APPLICATION SPEC        | SIZE B CAGE CODE 00779 DRAWING NO 745564                 |
|  | WEIGHT -                 | SCALE 10:1              | SHEET 1 OF 1   |

CUSTOMER DRAWING