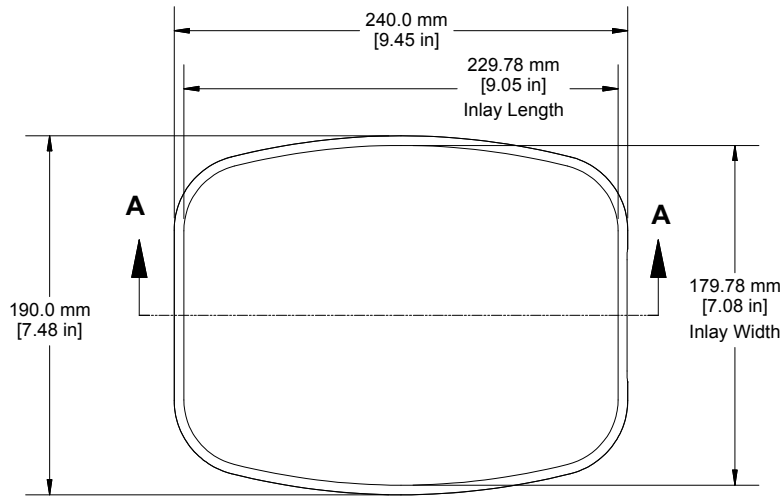
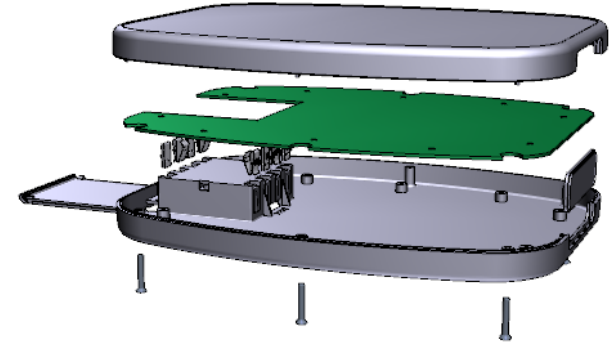
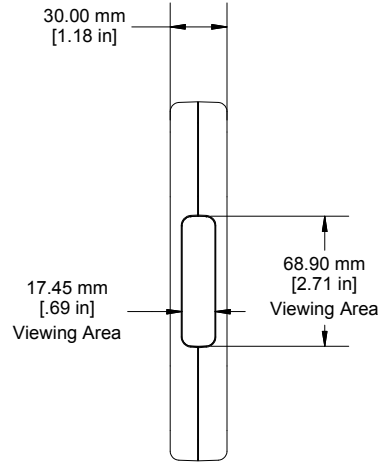


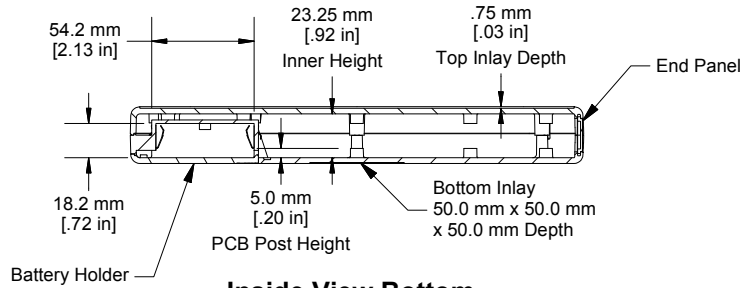
### Top View of Assembly



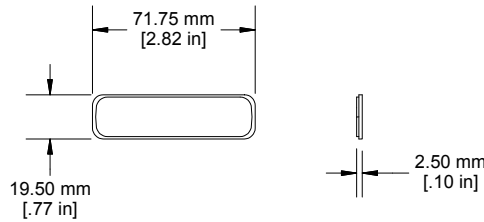
### End View of Assembly



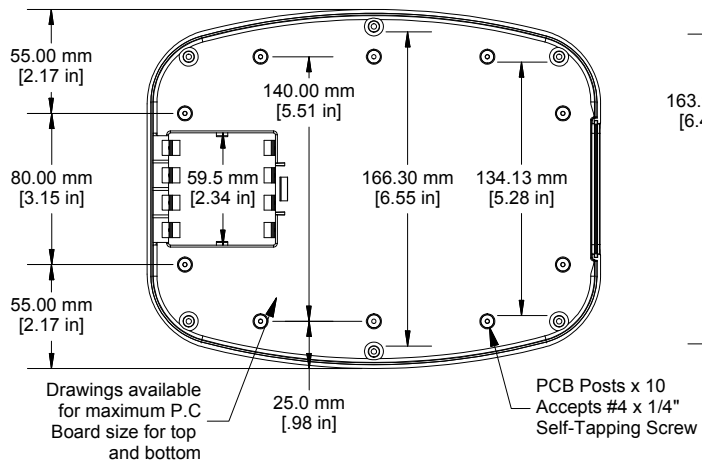
### SECTION A-A (Side View of Assembly)



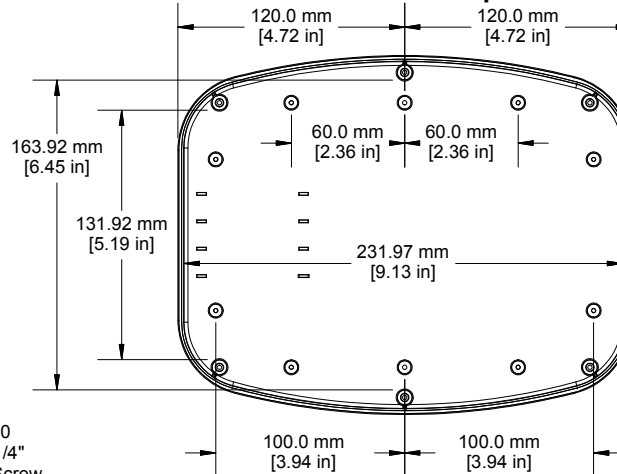
### Removable Panel



### Inside View Bottom



### Inside View Top



Enclosures can be Factory Modified ( Milling, Drilling, Printing etc.)  
 Contact Factory [mjm@hammondmfg.com](mailto:mjm@hammondmfg.com) for quotes  
 Solid models of this enclosure available in STEP or IGES.

#### NOTE

Enclosure molded from FR ABS (UL94-V0) plastic.  
 Purchased assembly includes top and bottom cover, 1 removable panel, battery door, battery spring clips (8 pcs), 9V adapter (2 pcs) and 6 cover screws (M3-0.5 x 18mm) . M3 Brass inserts are installed for cover screws. (P.C. Board not supplied)

#### PART NUMBERS

1599TABLBAT Enclosure	
Black Enclosure	1599TABLBKBAT
Grey Enclosure	1599TABLGYBAT
ACCESSORIES	
Replacement Cover Screws (Pkg 100)	1594MS100 (Silver) 1594MS100BK (Black)
P.C. Board Screws	1593ATS50 (Pkg 50) 1593ATS100 (Pkg 100)

