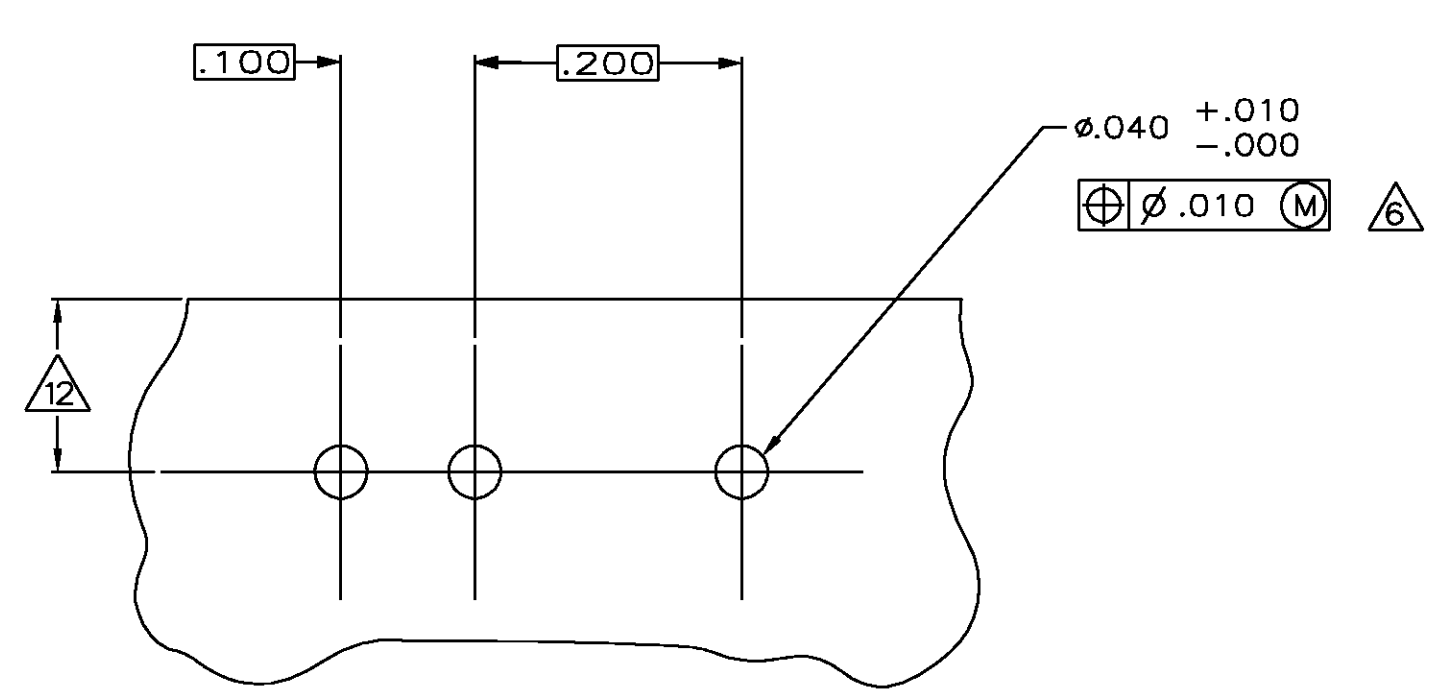
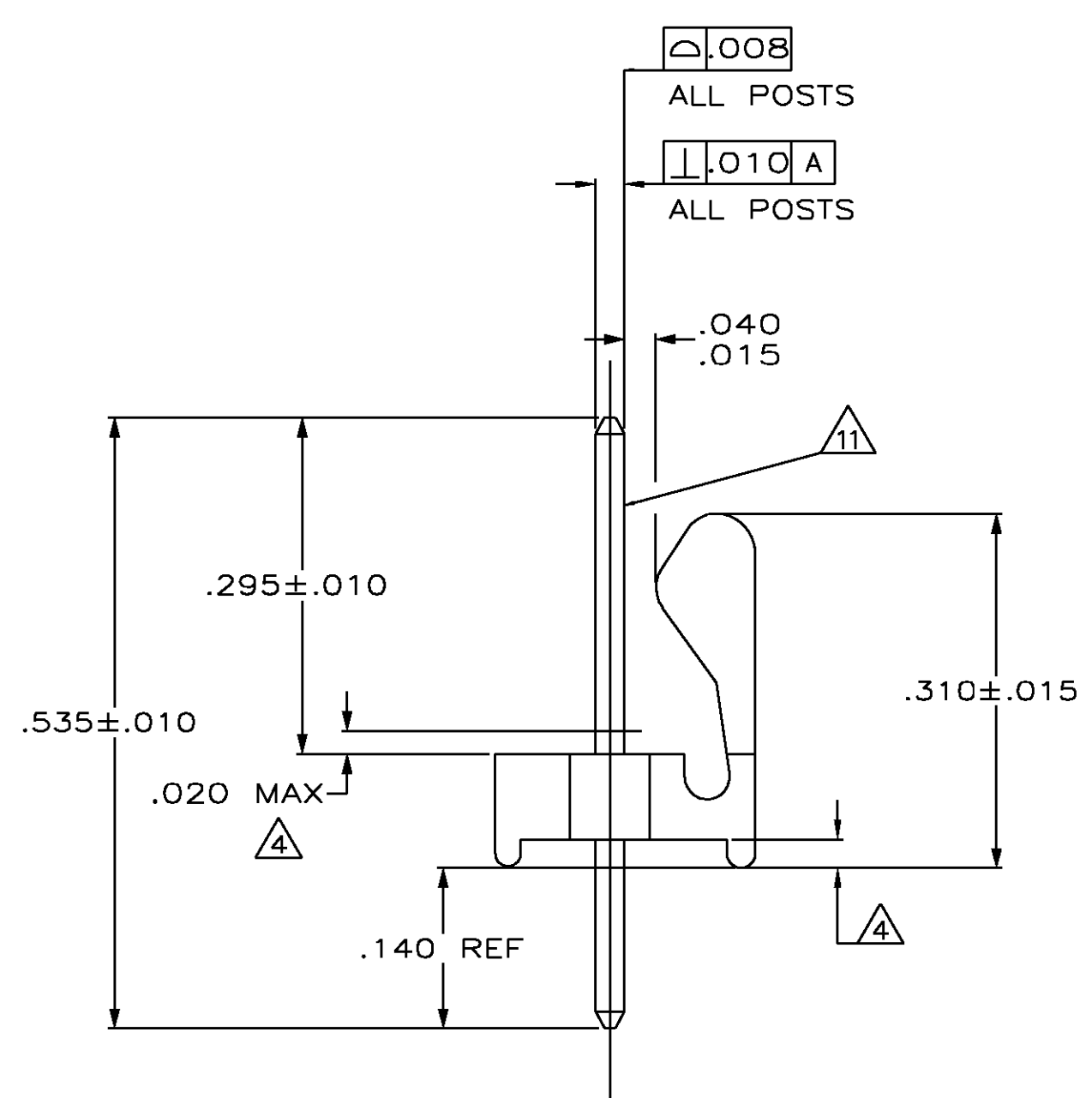
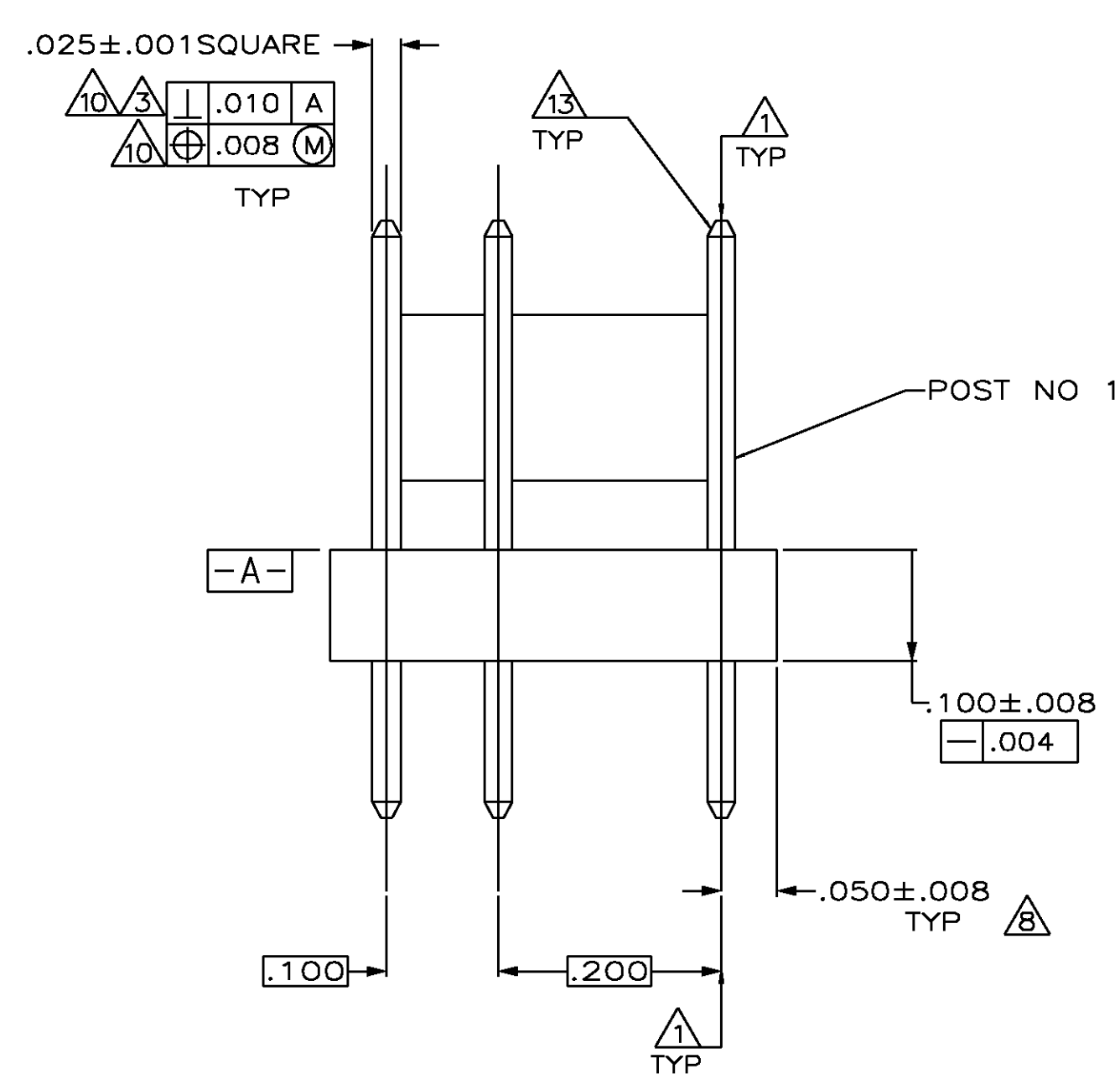
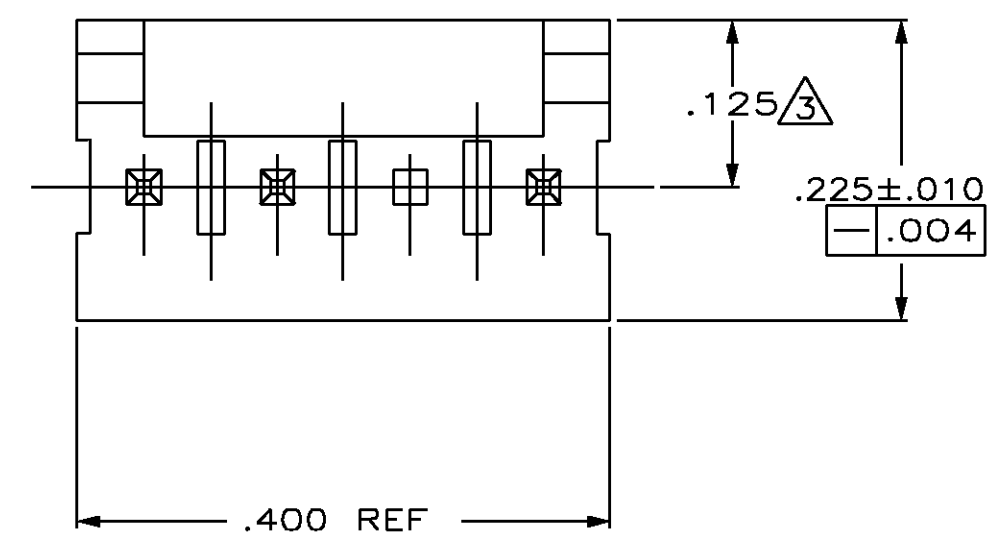


THIS DRAWING IS UNPUBLISHED. RELEASED FOR PUBLICATION BY TICO ELECTRONICS CORPORATION. ALL RIGHTS RESERVED.

LOC	DIST	REVISIONS		
P	LR	DESCRIPTION	DATE	DR
CM	00	L1 REVISED PER ECO-11-014117	16JUL11	HMR SM



RECOMMENDED MOUNTING HOLE PATTERN FOR .063 THICK P.C. BOARD

.040	1.02	.035	0.89	.535	13.59
.032	0.81	.400	10.16		
.025	0.64	.310	7.87		
.020	0.51	.295	7.49		
.015	0.38	.225	5.72		
.010	0.25	.200	5.08		
.008	0.20	.140	3.56		
.005	0.13	.130	3.30		
.004	0.10	.125	3.18		
.003	0.08	.100	2.54		
.001	0.03	.063	1.60		
.000	0.00	.050	1.27		
IN	MM	IN	MM		

CONVERSION TABLE

- △ POST TO WITHSTAND 13 NEWTONS (3 LBS) MIN. AXIAL FORCE IN BOTH DIRECTIONS SHOWN WITHOUT DISLODGING.
- △ TOLERANCES APPLY TO SOLDER SIDE OF BOARD.
- △ MEASURED AT SURFACE [-A-]
- △ PLASTIC FLASH PERMITTED IN THIS AREA.
- 5. PARTS COMPLY WITH AMP SOLDERABILITY SPEC. NO. 109-11-2.
- △ ONE HOLE MAY BE UNDERSIZED (.032-.035 DIA) FOR ASSEMBLY RETENTION DURING WAVE SOLDERING.
- △ MATERIAL: HEADER-THERMOPLASTIC POLYESTER
UL94V-0(NATURAL)
POST-COPPER ALLOY (TIN-PLATED)
- △ COORDINATE DIMENSION APPLIES FROM CENTER OF ACTUAL FEATURE.
- 9. PLASTIC BURRS CAUSED BY CUT-OFF TOOLING ARE PERMITTED WITHIN THE MAXIMUM TOLERANCE ENVELOPE.
- △ POSTS TO BE MEASURED WHEN STRIP IS HELD FLAT.
- △ POSTS MUSTS WITHSTAND TWO 90° BENDS AGAINST EXTRUSION WITHOUT BREAKING.
- △ DIMENSION SHOULD BE .130 MIN WHEN MATING WITH A MTA 100 CONNECTOR ASSEMBLY OR A CST 100 CONNECTOR.
- △ PIN BURR OF .005 MAX. VERTICAL AND .003 MAX. HORIZONTAL PERMITTED AT POST TIPS ON BOTH ENDS.

643431-1 SHOWN

2 & 3	643431-5
4	643431-4
1	643431-3
3	643431-2
2	643431-1
POST NUMBER OMITTED	PART NUMBER

METRIC

THIS DRAWING IS A CONTROLLED DOCUMENT.

DR: L SMITH	3-30-93	
CR: R SWING	3-30-93	
APD: R SPEED	4-15-93	
NAME: PRODUCT SPEC		
DIMENSIONS: INCHES	TOLERANCES UNLESS OTHERWISE SPECIFIED:	MTA-100 HEADER ASSEMBLY, FRICTION LOCK, NOTCHED, .025 SQUARE STRAIGHT POST, TIN PLATED, 4 POSITION, OMITTED POST
0 PLC ± .005	1 PLC ± .005	SIZE: A1
2 PLC ± .005	3 PLC ± .005	CAGE CODE: 00779
4 PLC ± .005	ANGLES ± .030°	DRAWING NO: 643431
MATERIAL: △	FINISH: △	WEIGHT: -
CUSTOMER DRAWING		SCALE: 8:1
		SHEET 1 OF 1
		REV L1