

THIS DRAWING IS UNPUBLISHED.

RELEASED FOR PUBLICATION

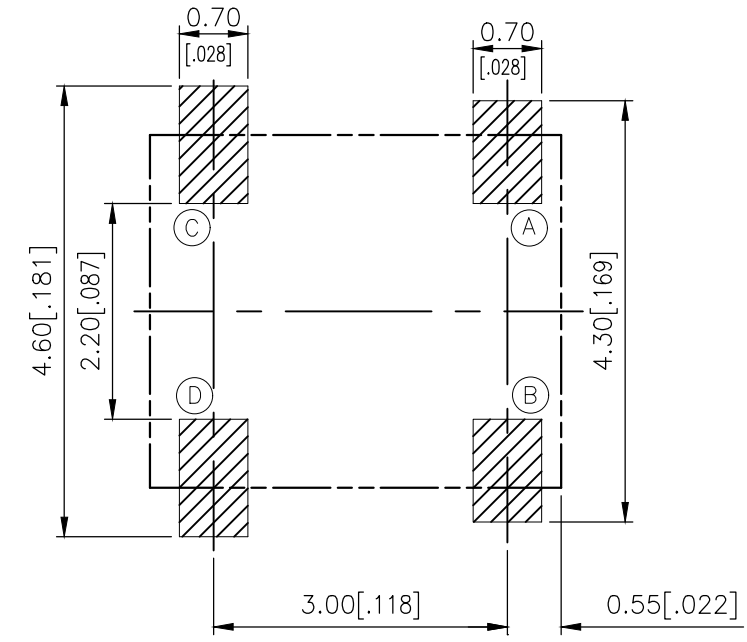
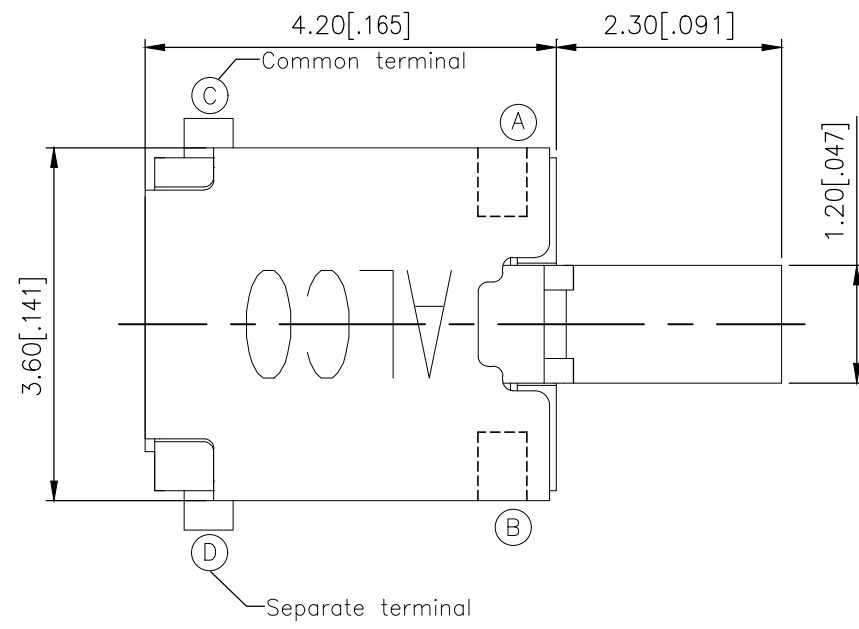
REVISIONS

© COPYRIGHT - TE Connectivity Ltd.

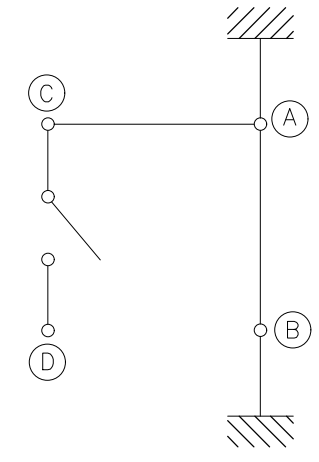
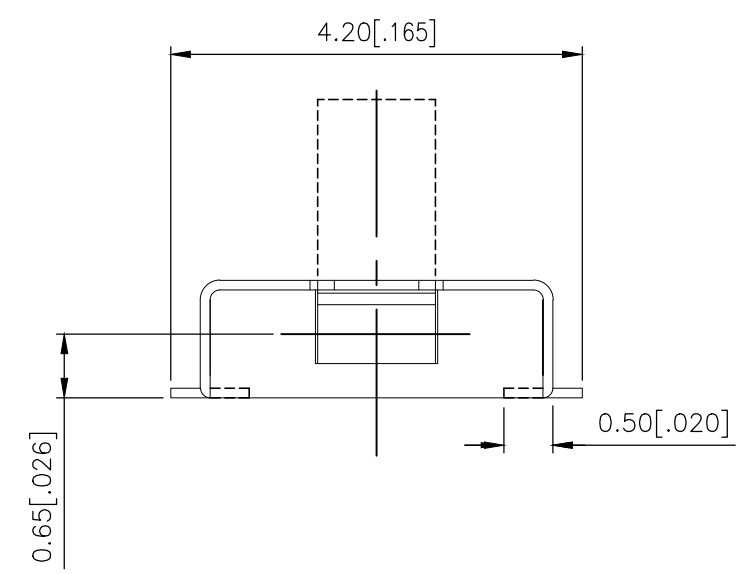
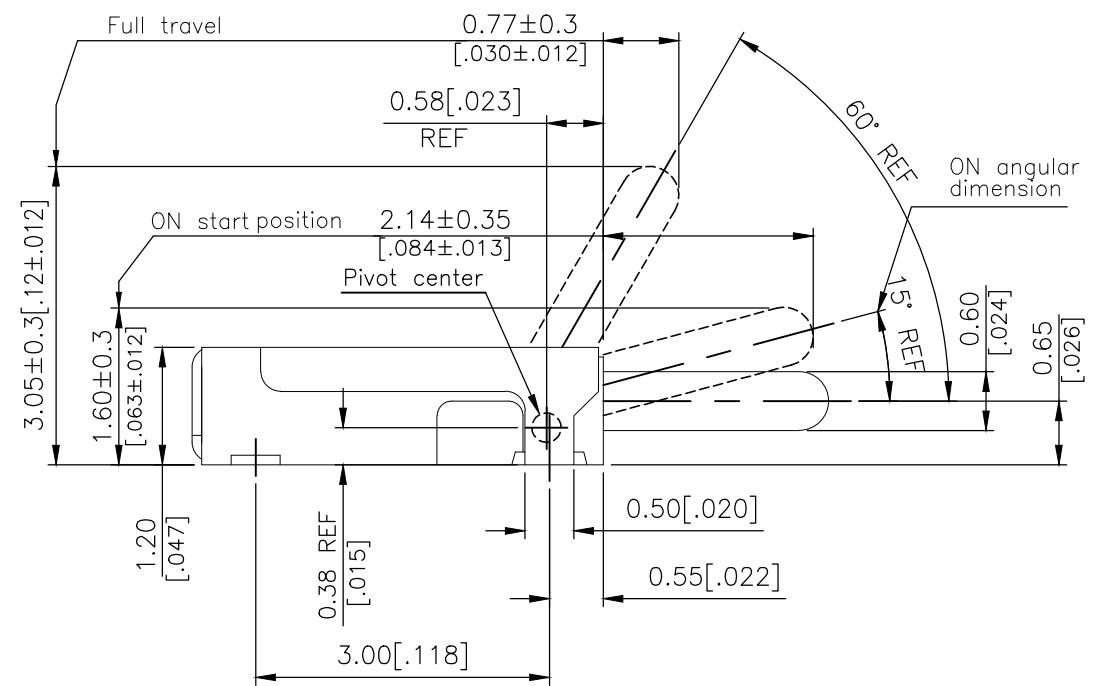
ALL RIGHTS RESERVED.

P	LTR	DESCRIPTION	DATE	DWN	APVD
	A	ECR-18-012767	14AUG2018	DHC	AS

### 2331410-1 AS SHOWN



P.C.B LAYOUT



CIRCUIT DIAGRAM

THIS DRAWING IS A CONTROLLED DOCUMENT.		DWN GANESH C M 07MAR2018	TE Connectivity Ltd.															
DIMENSIONS: mm [INCHES]		CHK ALEXANDER SHARPE 07MAR2018																
TOLERANCES UNLESS OTHERWISE SPECIFIED:		APVD ALEXANDER SHARPE 07MAR2018	NAME SWITCH, DETECTOR, JJD SERIES, 4.2X3.6mm VER ACTUATION, UPLIFT, SMT FLAT TERMINAL															
<table border="1"> <tr> <td>0 PLC</td> <td>± -</td> </tr> <tr> <td>1 PLC</td> <td>± -</td> </tr> <tr> <td>2 PLC</td> <td>± 0.20 [0.008]</td> </tr> <tr> <td>3 PLC</td> <td>± -</td> </tr> <tr> <td>4 PLC</td> <td>± -</td> </tr> <tr> <td>ANGLES</td> <td>± -</td> </tr> </table>		0 PLC	± -	1 PLC	± -	2 PLC	± 0.20 [0.008]	3 PLC	± -	4 PLC	± -	ANGLES	± -	PRODUCT SPEC -	SIZE A3	CAGE CODE 00779	DRAWING NO C-2331410	RESTRICTED TO -
0 PLC	± -																	
1 PLC	± -																	
2 PLC	± 0.20 [0.008]																	
3 PLC	± -																	
4 PLC	± -																	
ANGLES	± -																	
MATERIAL -		FINISH -	CUSTOMER DRAWING			SCALE NTS	SHEET 1 of 3	REV A										

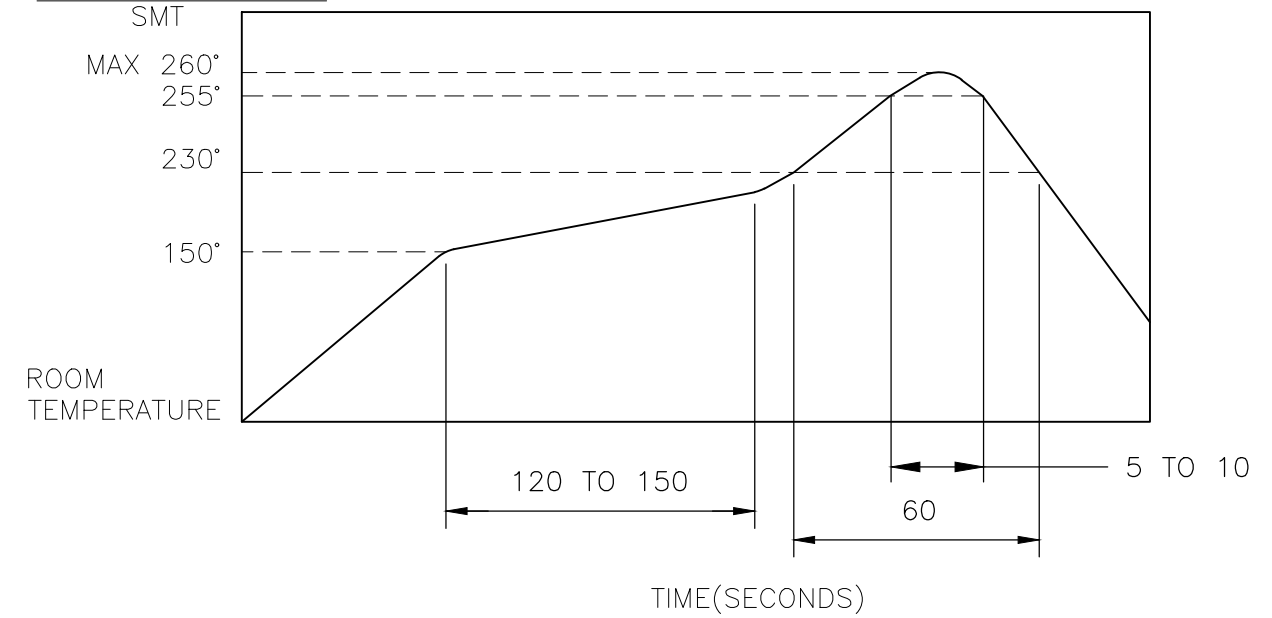
THIS DRAWING IS UNPUBLISHED. RELEASED FOR PUBLICATION  
 © COPYRIGHT - TE Connectivity Ltd. ALL RIGHTS RESERVED.

REVISIONS					
P	LTR	DESCRIPTION	DATE	DWN	APVD
-	-	SEE SHEET 1	-	-	-

NOTES:

- MATERIALS**  
 ACTUATOR: THERMOPLASTIC, UL 94V-0, BLACK  
 BODY: THERMOPLASTIC, UL 94V-0, BLACK  
 COVER: NICKEL SILVER  
 TERMINAL: COPPER ALLOY, SILVER PLATE  
 CONTACT: COPPER ALLOY, SILVER PLATE  
 SILICONE: SILICONE, BLACK  
 STEM: THERMOPLASTIC, BLACK
- COMPLIANCE:**  
 ALL MATERIALS AND FINISHES SHALL COMPLY WITH EU DIRECTIVE 2002/95/EC OF 27JAN2003(RoHS)
- SPECIFICATIONS:**  
 RATING: DC 3V, 50 mA TO DC 5V, 10mA  
 CONTACT RESISTANCE: 500mΩ MAXIMUM(INITIAL)  
 INSULATION RESISTANCE: 100MΩ MINIMUM AT 100 V DC  
 DIELECTRIC STRENGTH: 100 V AC, 1 MINUTE  
 OPERATING LIFE: 50,000 CYCLES WITH LOAD  
 TOTAL TRAVEL: 60°  
 ACTUATION FORCE: 40gf MAXIMUM  
 OPERATING TEMPERATURE: -10 TO 60° C  
 STORAGE TEMPERATURE: -20° TO 70° C

4. SOLDER CONDITIONS:



THE CONDITION MENTIONED ABOVE IS THE TEMPERATURE ON THE CU FOIL OF THE PCB SURFACE. THERE ARE CASES WHERE THE BOARD'S TEMPERATURE GREATLY DIFFERS FROM THE SWITCH'S SURFACE. DO NOT ALLOW SWITCH'S SURFACE TEMPERATURE TO EXCEED 260°C

MANUAL SOLDERING

SOLDERING TEMPERATURE	MAX.350°C.
CONTINUOUS SOLDERING TIME	MAX. 5 SECONDS.

PRECAUTIONS IN HANDLING

- CARE SHOULD BE EXERCISED SO THAT FLUX FROM THE UPPER PART OF THE PRINTED CIRCUIT BOARD DOES NOT ADHERE TO THE SWITCH.

JJDVUUG305NONMRTR	2331410-1
SMART PART NUMBER	PART NUMBER

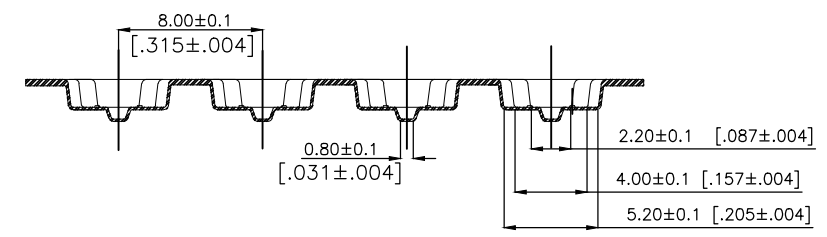
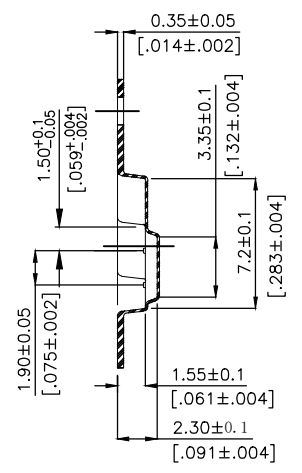
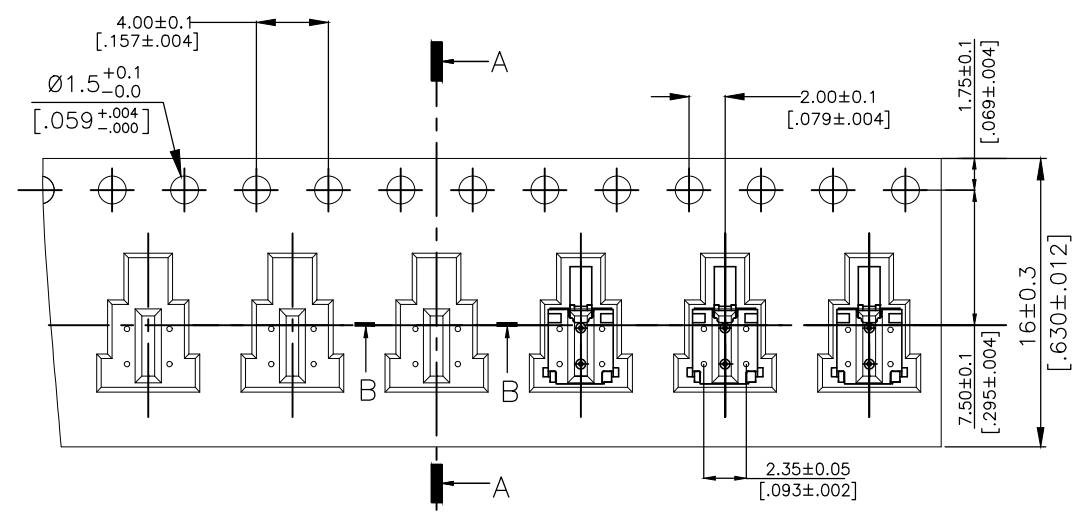
THIS DRAWING IS A CONTROLLED DOCUMENT.		DWN GANESH C M 07MAR2018	TE Connectivity Ltd.		
DIMENSIONS: mm [INCHES]		CHK ALEXANDER SHARPE 07MAR2018			
		APVD ALEXANDER SHARPE 07MAR2018	NAME SWITCH, DETECTOR, JJD SERIES, 4.2X3.6mm VER ACTUATION, UPLIFT, SMT FLAT TERMINAL		
TOLERANCES UNLESS OTHERWISE SPECIFIED:		PRODUCT SPEC	RESTRICTED TO		
0 PLC ± -		APPLICATION SPEC	SIZE	CAGE CODE	DRAWING NO
1 PLC ± -		WEIGHT	A3	00779	C-2331410
2 PLC ± 0.20 [.008]		CUSTOMER DRAWING			
3 PLC ± -		SCALE	NTS		
4 PLC ± -		SHEET	2 of 3		
ANGLES ± -		REV	A		
MATERIAL		FINISH			

THIS DRAWING IS UNPUBLISHED. RELEASED FOR PUBLICATION  
 © COPYRIGHT - TE Connectivity Ltd. ALL RIGHTS RESERVED.

REVISIONS					
P	LTR	DESCRIPTION	DATE	DWN	APVD
-	-	SEE SHEET 1	-	-	-

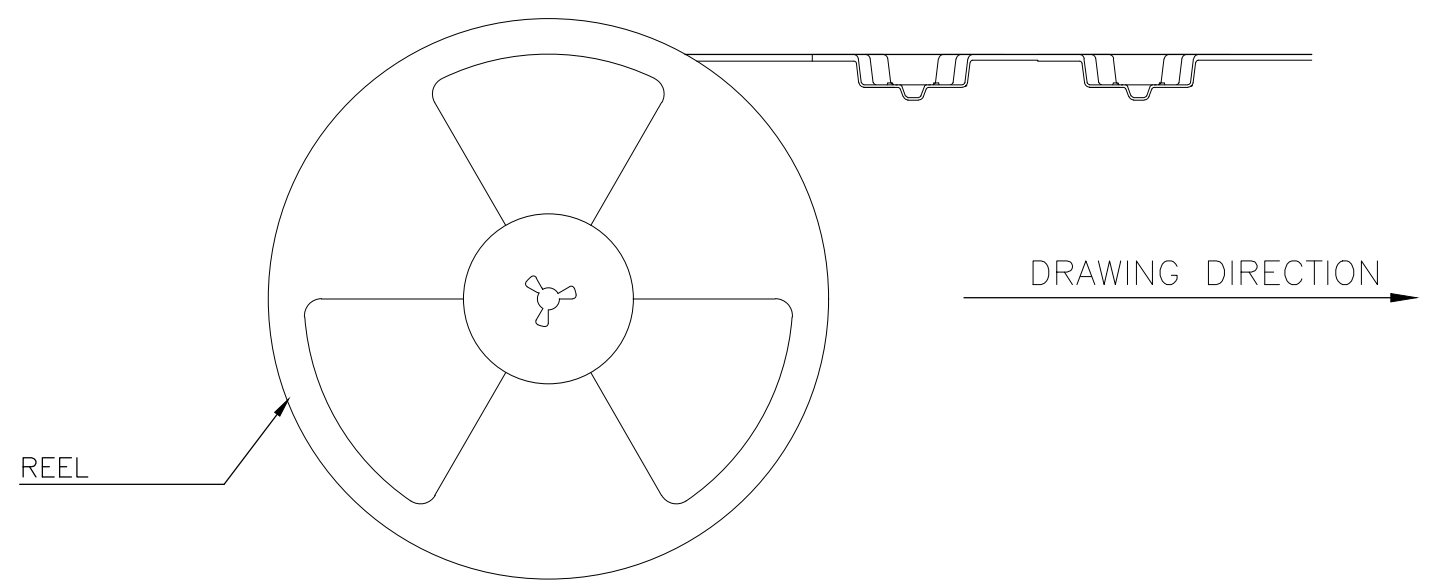
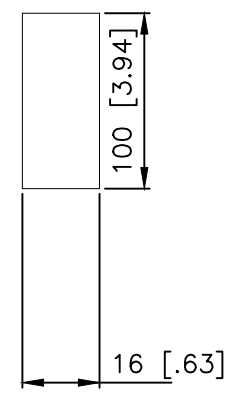
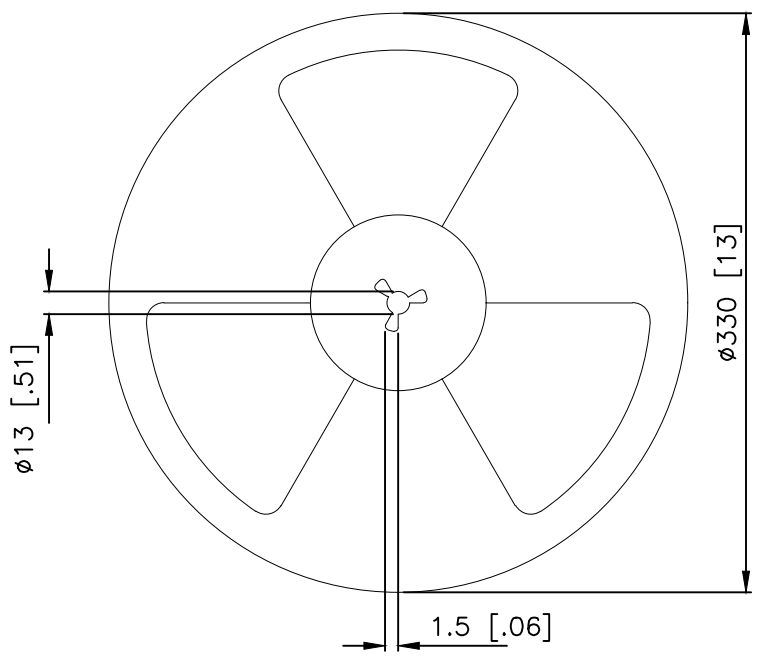
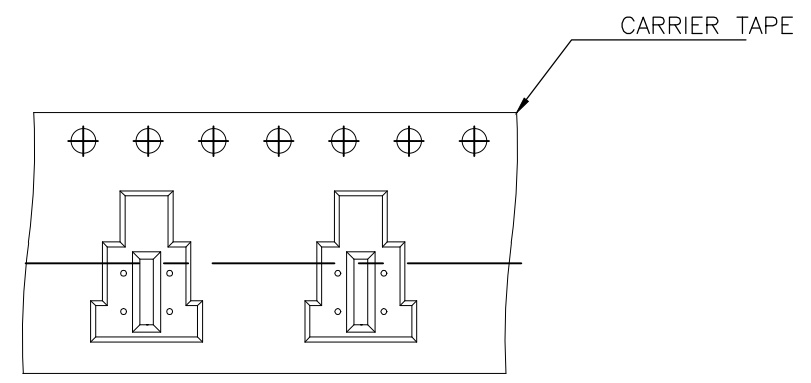
PACKAGING:  
 3600 SWITCHES PER REEL

THE DIMENSION OF CARRIER TAPE, COVER TAPE AND REEL



SECTION B-B

THE DIRECTION OF PILOT HOLES



THIS DRAWING IS A CONTROLLED DOCUMENT.		DWN GANESH C M 07MAR2018	TE Connectivity Ltd.			
DIMENSIONS: mm [INCHES]		CHK ALEXANDER SHARPE 07MAR2018				NAME
TOLERANCES UNLESS OTHERWISE SPECIFIED:		APVD ALEXANDER SHARPE 07MAR2018	SWITCH, DETECTOR, JJD SERIES, 4.2X3.6mm			
0 PLC ± - 1 PLC ± - 2 PLC ± 0.20 [.008] 3 PLC ± - 4 PLC ± - ANGLES ± -		PRODUCT SPEC	VER ACTUATION, UPLIFT, SMT			
MATERIAL		APPLICATION SPEC	FLAT TERMINAL			
FINISH		WEIGHT	SIZE A3	CAGE CODE 00779	DRAWING NO C-2331410	RESTRICTED TO
		CUSTOMER DRAWING	SCALE NTS	SHEET 3 OF 3	REV A	