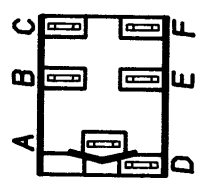
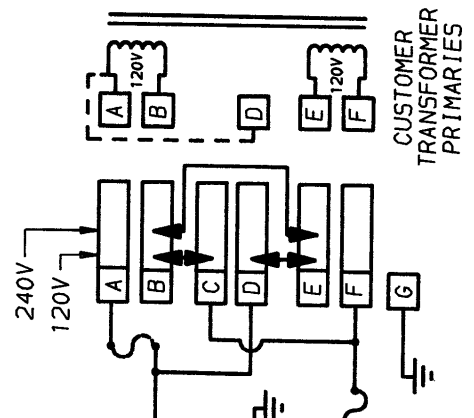
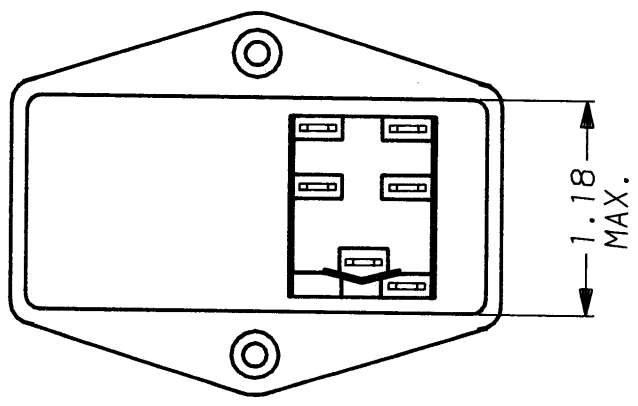
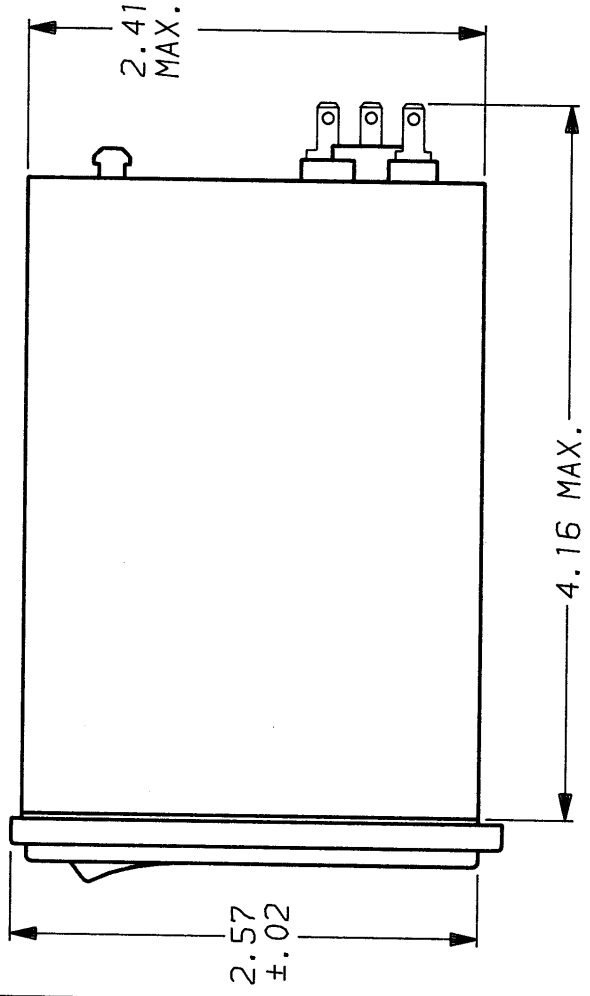
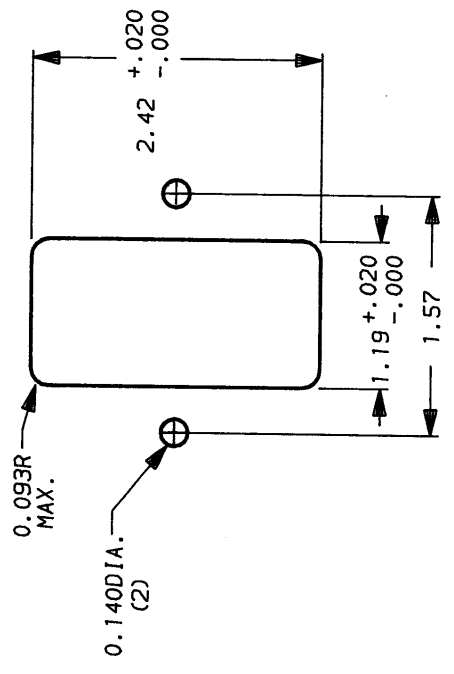


RECOMMENDED PANEL CUTOUT
(NOT TO SCALE)



50Ω - 50Ω (MINIMUM) INSERTION LOSS											
FREQUENCY MHZ	.01	.02	.03	.05	.07	.15	.50	1.0	5.0	10	30
COMMON dB	15	21	24	29	32	40	44	40	40	40	40
DIFF. dB	—	3	14	29	38	57	72	72	65	55	50

This document is proprietary to CORCOM INC. and is not to be reproduced nor used for manufacturing purposes except on CORCOM's order or prior written consent.

SAFETY ORGANIZATION(S):

THIS FILTER HAS BEEN FORMALLY RECOGNIZED, CERTIFIED OR APPROVED BY THE LISTED AGENCY. THEREFORE, ALL TEST/REQUIREMENTS SPECIFIED IN THE LATEST REVISION OF THE FOLLOWING AGENCY STANDARDS HAVE BEEN MET:

- UL RECOGNIZED
- UL 1283
- CSA CERTIFIED
- CSA 22.2, NO.0,0.4,8
- VDE APPROVED
- VDE 565-3, 625
- SEV APPROVED
- SEV 1055/TP1977/5.1.1

OPERATING SPECIFICATIONS:

LINE VOLTAGE/CURRENT:
3 AMP., 120 VAC
2 AMP./40°C, 250 VAC
50-60HZ

LINE FREQUENCY:
MAX. LEAKAGE CURRENT, EACH
LINE TO GROUND
OPERATING AMBIENT TEMP. RANGE:

IN AN AMBIENT, T_g , HIGHER THAN 40°C, THE MAXIMUM OPERATING CURRENT, I_o , IS AS FOLLOWS:

$$I_o = I_r \sqrt{\frac{85 - T_g}{45}}$$

RELIABILITY SPECIFICATIONS:

STORAGE TEMPERATURE:
HUMIDITY:
CURRENT OVERLOAD TEST:

TEST SPECIFICATIONS:

INDUCTANCE:
CAPACITANCE: (MEASURED @ 1 KHZ, 0.25 VAC MAX., 25°C ±1°C)
LINE TO GROUND:
LINE TO LINE:
DISCHARGE RESISTOR:
LINE/GROUND AND LINE/LINE
INSULATION RESISTANCE

RECOMMENDED RECEIVING INSPECTION HIPOP:

LINES TO GROUND: 2250 VDC FOR 1 MINUTE
LINE TO LINE: 1450 VDC FOR 1 MINUTE

FILTER APPROVAL:

THE BEST WAY TO SELECT AND QUALIFY A FILTER IS FOR YOUR ENGINEERING TO TEST THE UNIT IN YOUR EQUIPMENT.

TOLERANCE EXCEPT AS NOTED

DECIMAL: .XXX .XX .X ANGLES ± 1°
ENGLISH: ±.025
METRIC: ±

MATERIAL: AS SUPPLIED

FINISH:



POWER LINE FILTER

SCALE	DATE	DRG. NO.	REV.
NTS	6-1-87		
DRW. BY	ORIGINATOR		
LJD	CFW		

AN STYLE
SECTION TO "A"

3EZLA2S.02