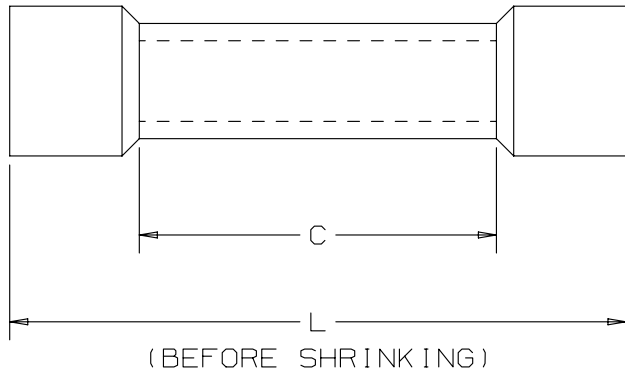


THIS COPY IS PROVIDED ON A RESTRICTED BASIS AND IS NOT TO BE USED IN ANY WAY DETRIMENTAL TO THE INTERESTS OF PANDUIT CORP.



NOTES :

1. UL LISTED AND CSA CERTIFIED AFTER HEAT SHRINKING FOR:
 - A. 600 V MAX. VOLTAGE RATING
 - B. TEMPERATURE RATING OF INSULATION: 125°C (257°F)
 - C. STRANDED COPPER WIRE ONLY (SEE CHART FOR WIRE RANGE)
2. MATERIAL :
 - A. CONNECTOR - TIN PLATED COPPER TUBE, BRAZED SEAM BSH10 ONLY
 - B. INSULATOR - HEAT SHRINKABLE POLYOLEFIN WITH HOT MELT SEALANT
3. MINIMUM SHRINK TEMPERATURE: 300°F (150°C)
4. ALL DIMENSIONS SHOWN ARE NOMINAL. DIMENSIONS IN BRACKETS ARE IN MILLIMETERS.
5. INSTALLATION TOOL: CT-310
6. WIRE STRIP LENGTH: $5/16^{+1/16}_0$
7. SEE www.panduit.com FOR PART NUMBER SUFFIX DESIGNATION FOR PACKAGE SIZE.

PANDUIT PART NUMBER	WIRE RANGE (AWG)	DIMENSIONS		MAX WIRE INSULATION DIA	INSULATION COLOR
		C	L		
BSH18	22-18	.58 (14,7)	1.45 (36,8)	.170 (4,32)	RED
BSH14	16-14	.58 (14,7)	1.45 (36,8)	.190 (4,83)	BLUE
BSH10	12-10	.74 (18,8)	1.64 (41,7)	.240 (6,10)	YELLOW



REV	DATE	BY	CHK	APR	DESCRIPTION	ECN
04	04-25-13	JBN	RTFI	RTFI	UPDATED DRAWING BORDER & TITLE BLOCK	A41454

TITLE HEAT SHRINK INSULATED BUTT SPLICES	
CUSTOMER DRAWING	
ITEM REVISION NAME N41454BA/04	PANDUIT
DATASET FILE NAME N41454BA_DC/04A	
UNLESS OTHERWISE SPECIFIED, DIMENSIONAL TOLERANCES ARE: IN (mm)	
.x ± .1 [2.54]	.xxx ± .005 [.127]
.xx ± .01 [.25]	ANGLES ± 5 °
THIRD ANGLE PROJECTION	
DRAWING NUMBER: A41454	
DRAWN BY DRL	DATE -
CHK RLS	SCALE NONE
SHT 1 OF 1	
SIZE A	

D10100DA/15