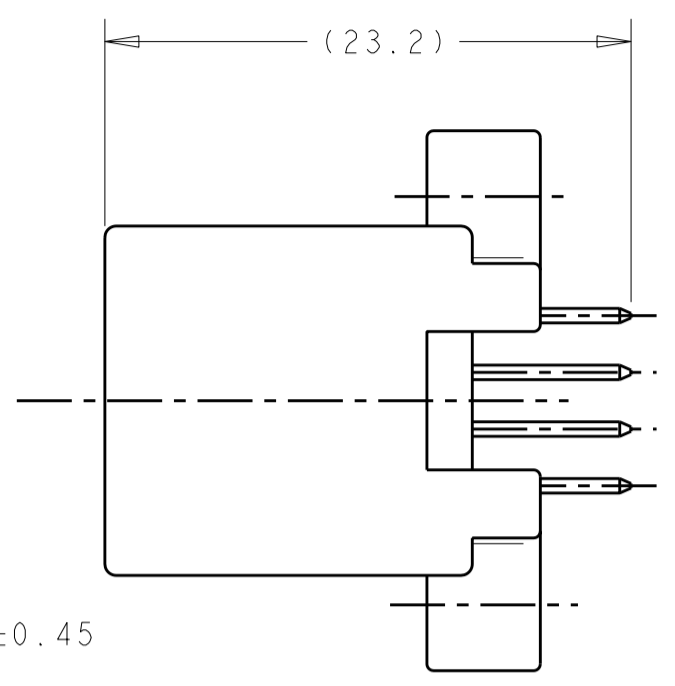
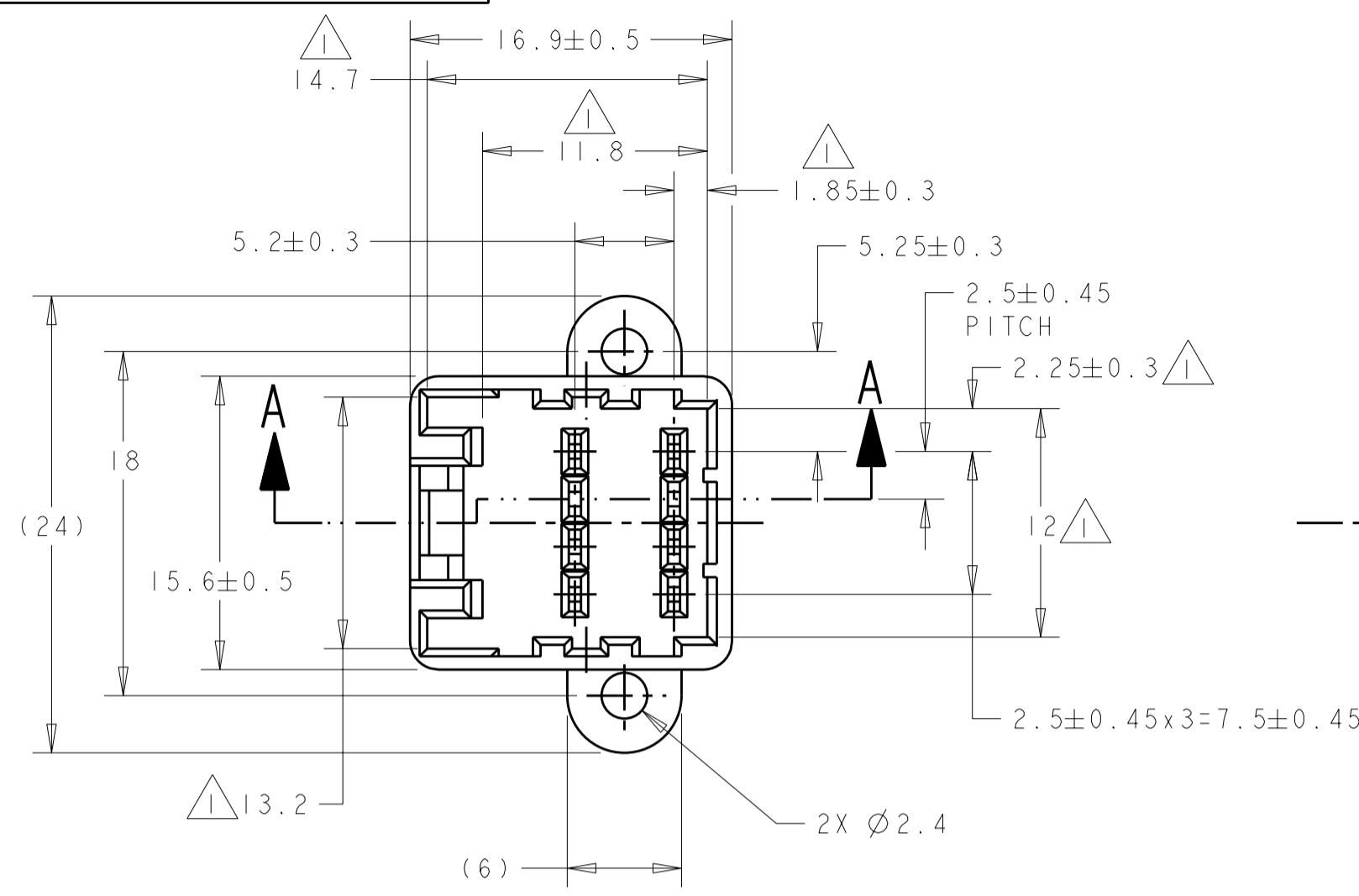
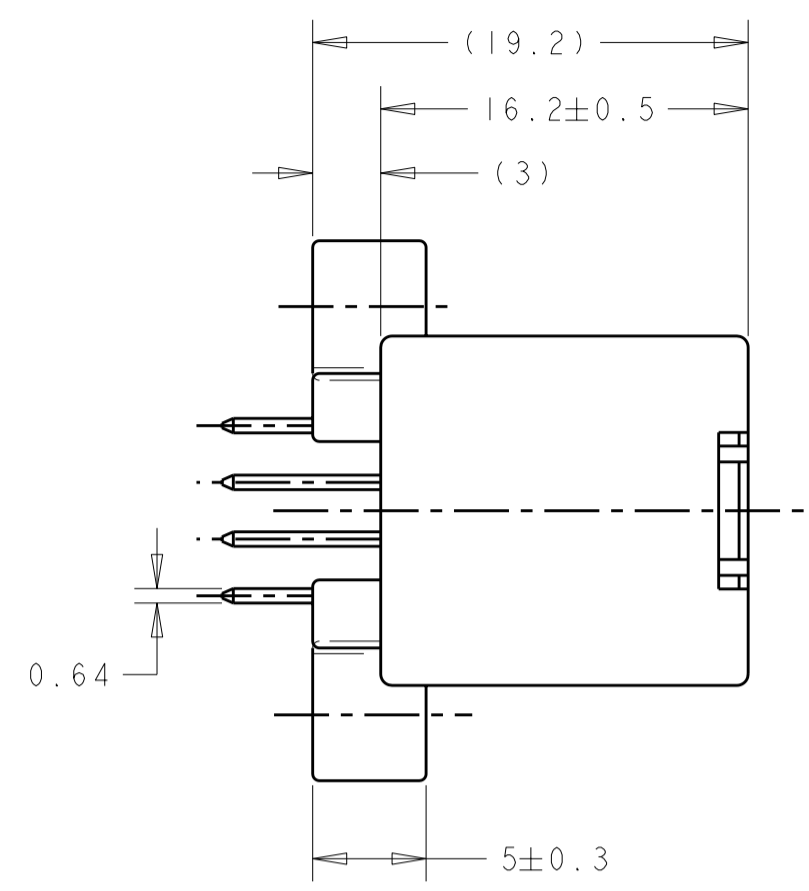


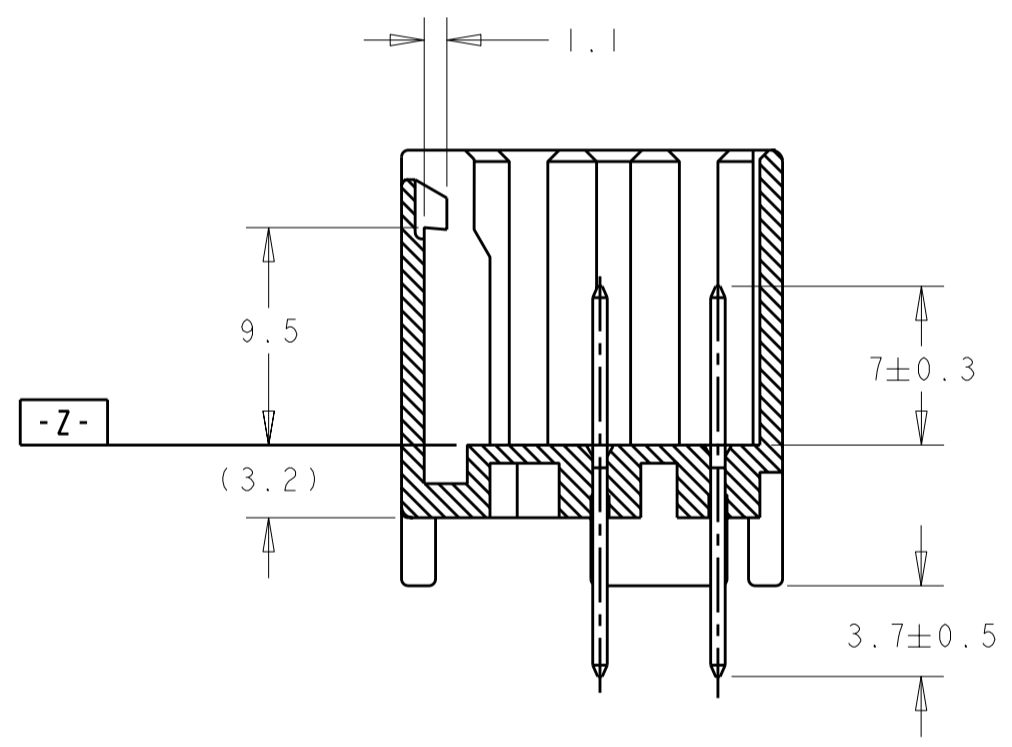
THIS DRAWING IS UNPUBLISHED. RELEASED FOR PUBLICATION 20  
 © COPYRIGHT 20 BY TYCO ELECTRONICS CORPORATION. ALL INTERNATIONAL RIGHTS RESERVED.

LOC DIST  
 FX 00

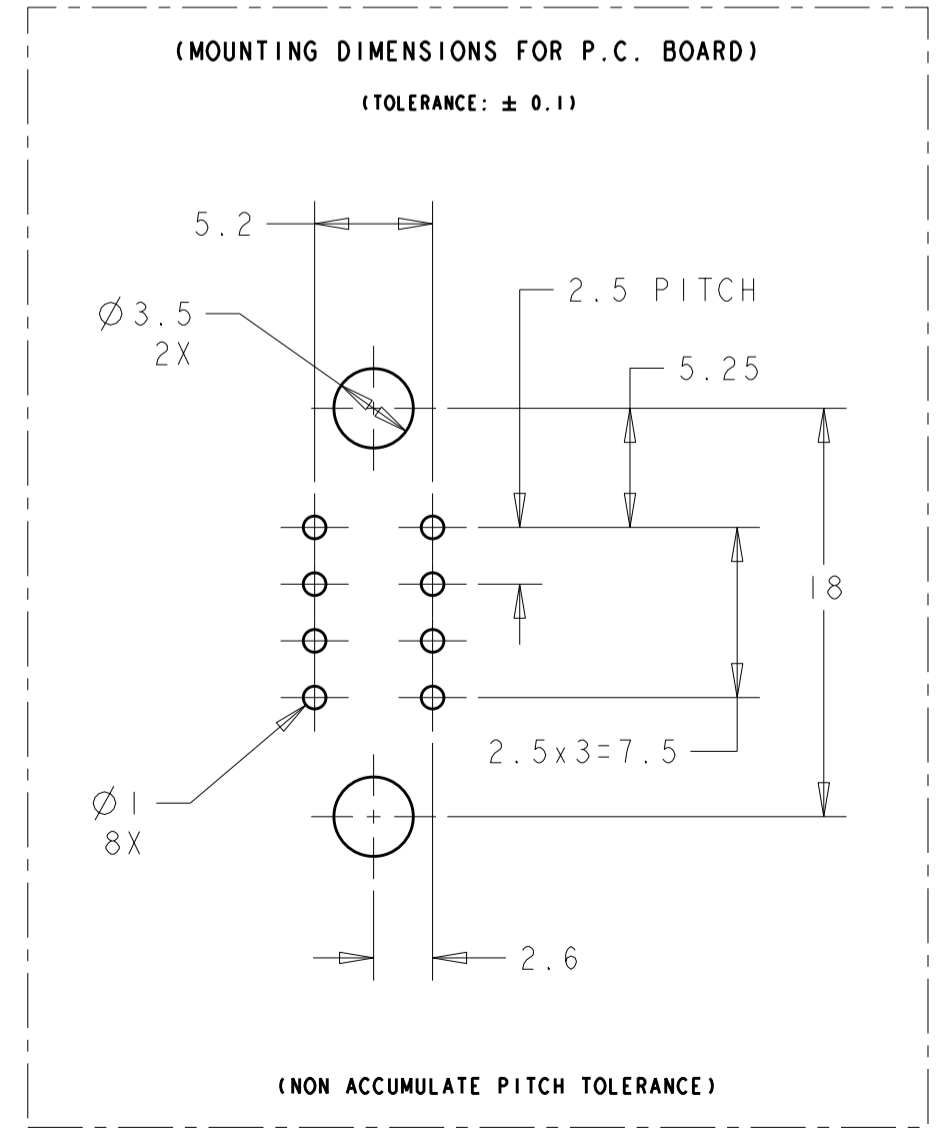
REVISIONS				
P	LTR	DESCRIPTION	DATE	APVD
	A	RELEASED PER ECO-09-027351	11DEC2009	DD SA



- 1. TO BE MEASURED BETWEEN 2mm FROM -Z-
- 2. APPLICABLE P.C. BOARD THICKNESS: 1.6mm
- 3. THE MATING COUNTERPART NUMBER: 174044
- 4. RECOMMENDED MOUNTING SCREW: 3mm DIA, 6mm LENGTH TAPPING SCREW SPECIFIED IN JIS B1115, B1122. (TIGHTENING TORQUE: 0.8Nm MAX)



SECTION A-A



BRASS	POST TIN	PCT	BLACK	2098401-2
MATERIAL	FINISH	MATERIAL	COLOR	PART NUMBER
CONTACT		HOUSING		

THIS DRAWING IS A CONTROLLED DOCUMENT FOR TYCO ELECTRONICS CORPORATION. IT IS SUBJECT TO CHANGE AND THE CONTROLLING ENGINEERING ORGANIZATION SHOULD BE CONTACTED FOR THE LATEST REVISION.		DWN DL DRUMMOND 27MAY2009	Tyco Electronics Harrisburg, PA 17105-3608	
DIMENSIONS: mm		CHK SS ASHLEY 27MAY2009	NAME CAP HOUSING ASSEMBLY, 8 POSITION, 040 SERIES MULTILOCK I/O CONNECTOR, (VERTICAL TYPE) HIGH TEMP	
TOLERANCES UNLESS OTHERWISE SPECIFIED: 0 PLC ±0.25 1 PLC ±0.25 2 PLC ±0.20 3 PLC ± 4 PLC ± ANGLES ±3° FINISH		APVD SS ASHLEY 27MAY2009	PRODUCT SPEC 108-5244	
SEE TABLE		APPLICATION SPEC -	WEIGHT 3.7 g	RESTRICTED TO -
SEE TABLE		CUSTOMER DRAWING	SCALE 3:1	SHEET 1 OF 1 REV A