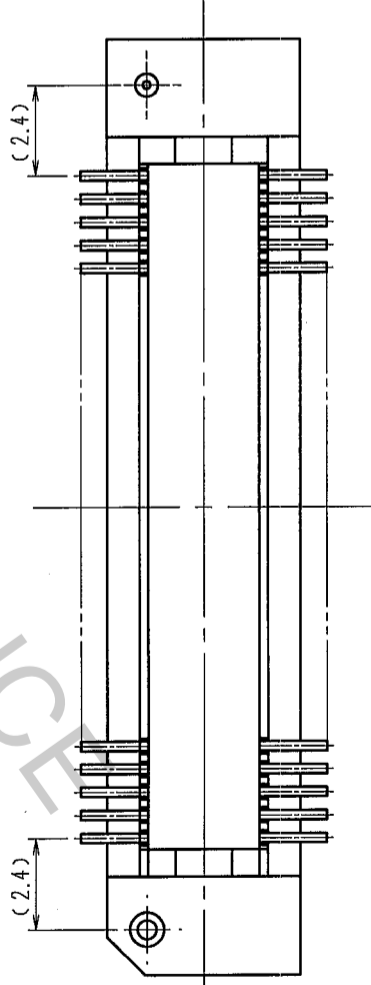
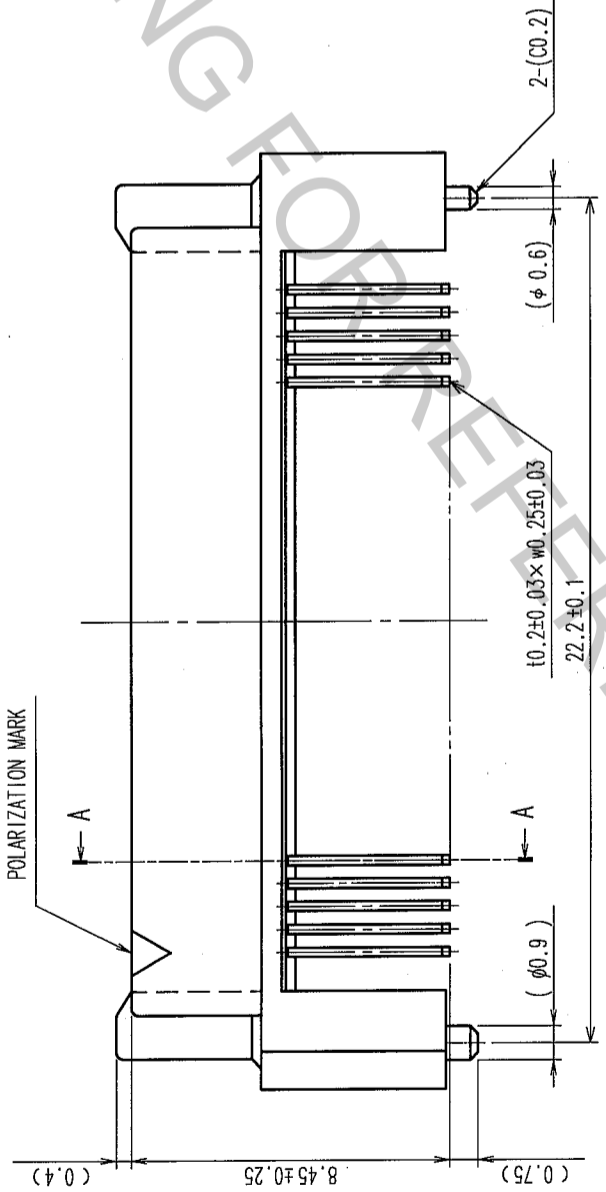
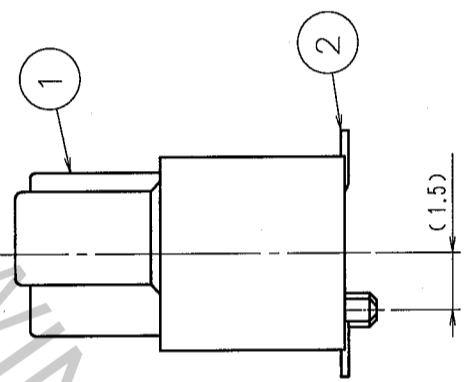
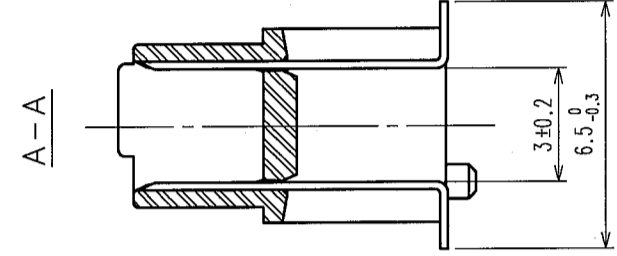
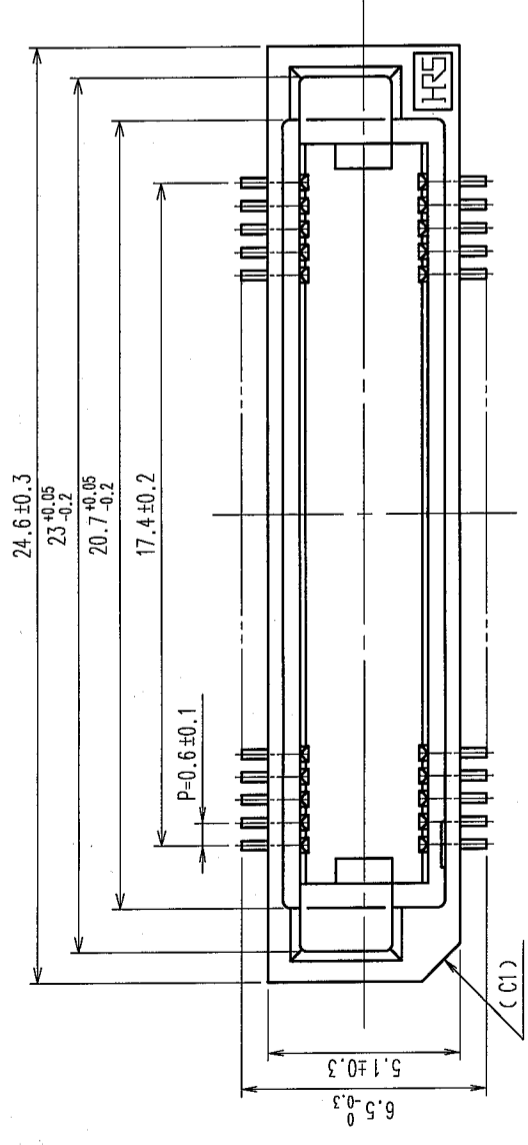
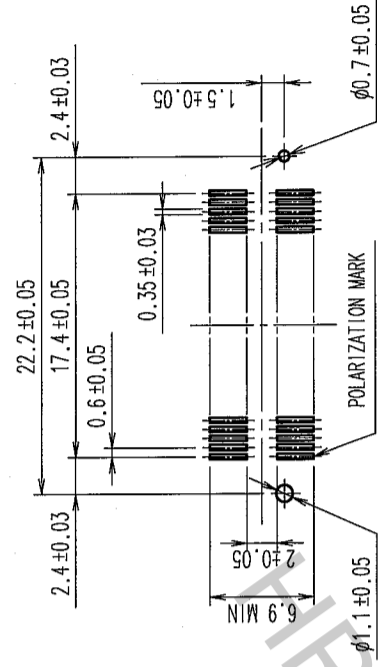


COUNT DESCRIPTION OF REVISIONS	BY	CHKD	DATE	COUNT DESCRIPTION OF REVISIONS	BY	CHKD	DATE
△				△			
△				△			
△				△			

RECOMMENDED LAND PATTERN DIMENSION OF PCB (MOUNTING SIDE) (2:1)

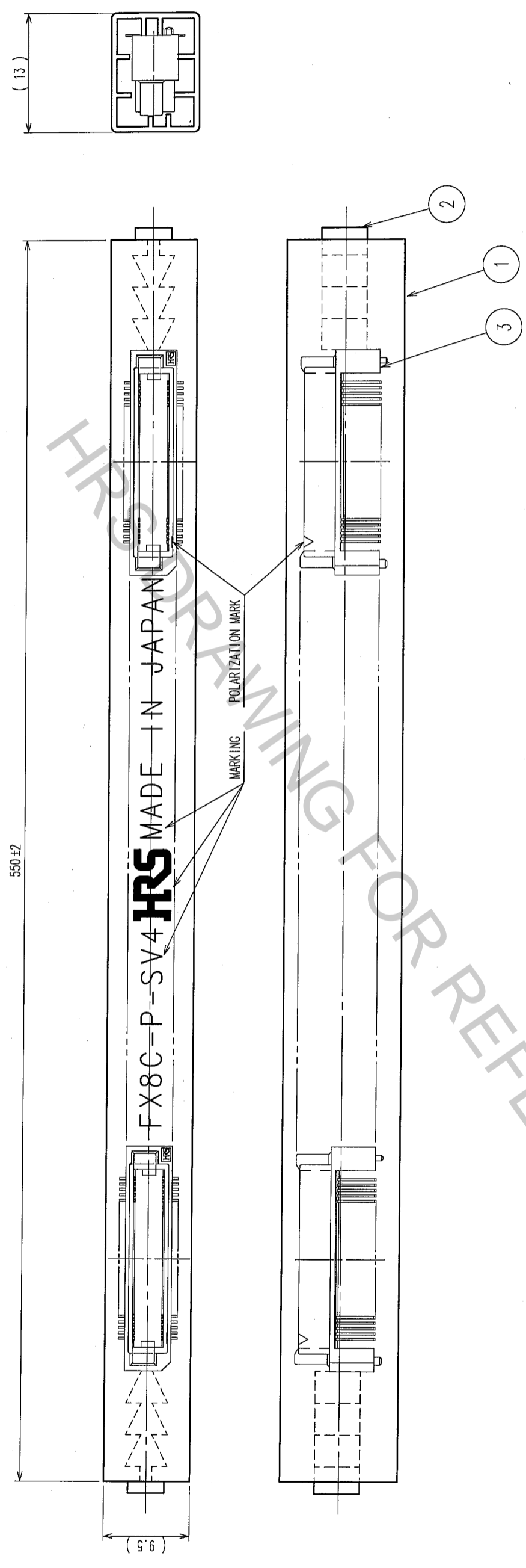


NOTE: 1. LEAD CO-PLANARITY SHALL BE 0.1mm MAX.
 2. TUBE PACKAGING SHALL BE APPLIED FOR THIS PRODUCT.
 SEE NEXT PAGE FOR DETAILS.
 3. FOR MODIFICATION, ETC., PREVENTIVE HOLE FOR SINK MARK MAY BE ADDED ACCORDING TO CIRCUMSTANCES.
 4. THE DIMENSIONS IN PARENTHESES ARE FOR REFERENCE.

NO.	MATERIAL	FINISH, REMARKS	NO.	MATERIAL	DESIGNED	CHECKED	APPROVED	RELEASED
1	PPS	LIGHT BROWN (UL94V-0)	2	PHOSPHOR BRONZE	K. NAKAMURA	K. NAKAMURA	H. Okamura	
CODE NO. (COLD)		CL	CONTACT AREA: GOLD 0.1μm min.		LEAD AREA: TIN-PLATING 1μm min.		UNDER PLATING: NICKEL 1μm min.	
DRAWING NO.		EDC3-150861-21	PART NO.		FX8C-60P-SV4(91)			
SCALE		5:1	CODE NO.		CL578-0581-8-91			
UNITS		mm	HIROSE ELECTRIC CO., LTD.					

TO	
PCK	

1	2	3	4	5	6	7	8		
COUNT	DESCRIPTION OF REVISIONS	BY	CHKD	DATE	COUNT	DESCRIPTION OF REVISIONS	BY	CHKD	DATE
△					△				
△					△				
△					△				



NOTE 1. 1 TUBE : 21 CONNECTORS.
 2. THE DIMENSIONS IN PARENTHESES ARE FOR REFERENCE.

2 POLYVINYL CHLORIDE (STOPPER)		3 POLYVINYL CHLORIDE (CONNECTOR)			
NO.	MATERIAL	FINISH, REMARKS	NO.	MATERIAL	FINISH, REMARKS
1	POLYVINYL CHLORIDE		1	POLYVINYL CHLORIDE	

CODE NO. (OLD) CL	DRAWN K. NAKAMURA	DESIGNED K. NAKAMURA	CHECKED K. Nakamura	APPROVED K. Nakamura	RELEASED
	05.12.12	05.12.12	05.12.12	05.12.12	

DRAWING NO. EDC3-150861-21	PART NO. FX8C-60P-SV4(91)
SCALE FREE	
UNITS mm	

HRS HIROSE ELECTRIC CO., LTD	CODE NO. CL578-0581-8-91
--	-----------------------------

TO	
PCK	