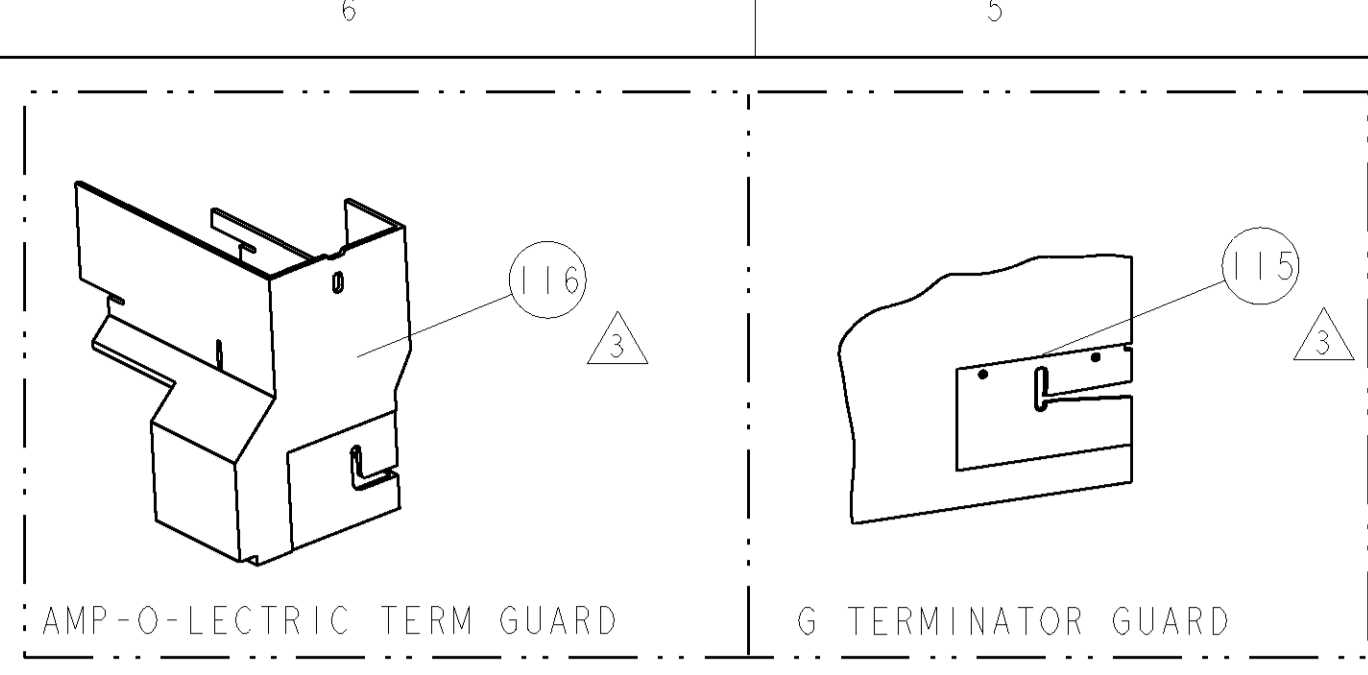


PART NUMBER	REV	FIRST USED	POWER UNIT	FEED TYPE	DESCRIPTION
1855248-1	A	122500-1	LEADMAKER	AIR FEED	CUTS CARRIER
1855248-2	A	565435-5	BENCH MODEL K	AIR FEED	CUTS CARRIER
1855248-3	A	354500-1	BENCH MODEL G	AIR FEED	CUTS CARRIER
1855248-6	A	122500-1	LEADMAKER	AIR FEED	CONTINUOUS CARRIER
7-1855248-7	A	-	-	-	SPARE PARTS



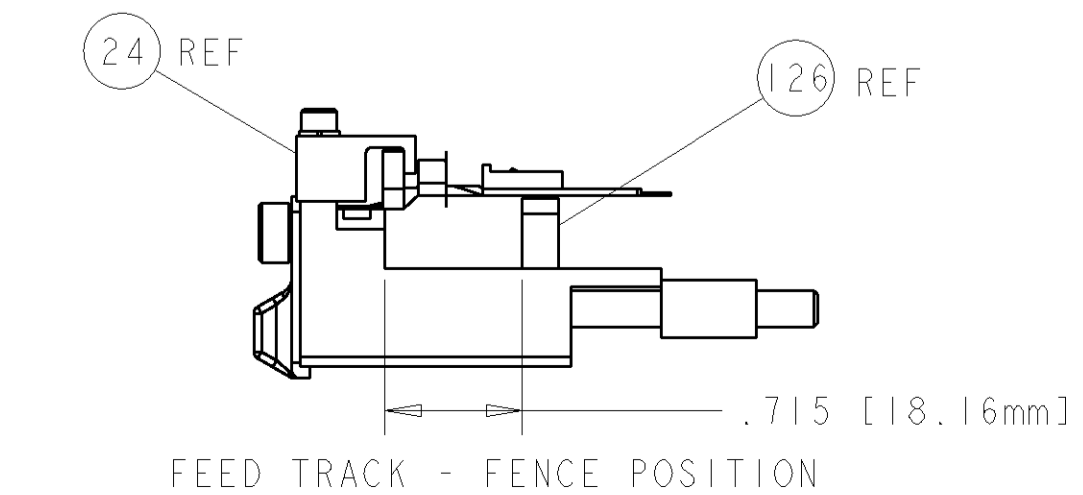
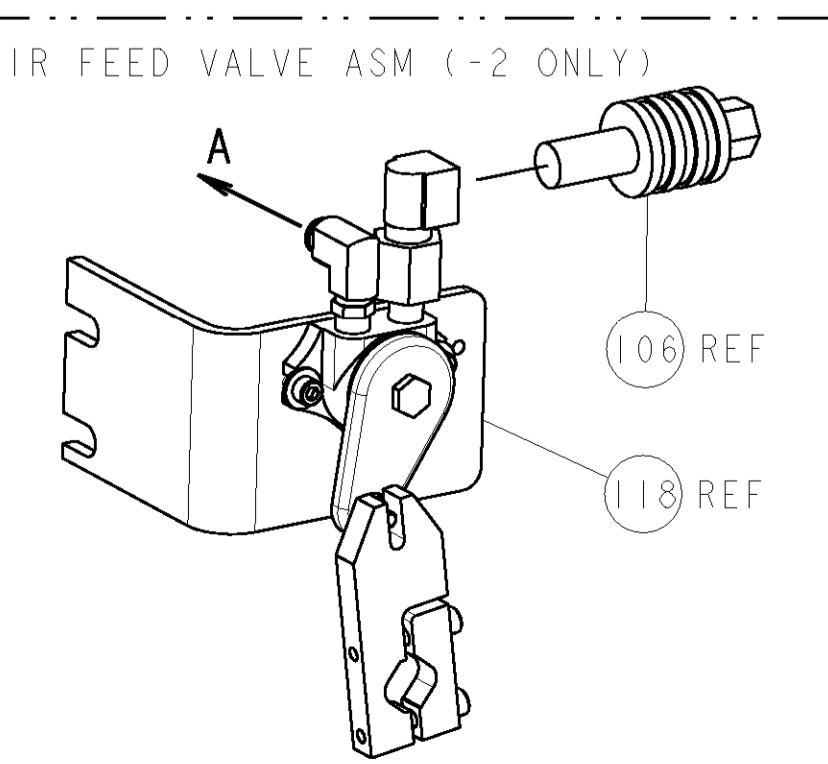
TE PN		MFR PN	DELPHI TERMINAL - DELPHI CRIMP SPECS		REF SETTING
1949325	-	12064736	CRIMP HEIGHT	WIRE SIZE	B7
-	-	-	2.25±0.05mm [.089±.002]	5mm2	-
-	-	-	2.15±0.05mm [.085±.002]	4.5mm2	C5
SEAL PN	CRIMP	SIZE	TYPE	RANGE	
1949382	15324993	WIRE 3.65mm [.144]	F	4.5-5.0mm2	
-	-	INSUL 7.06mm [.278]	O	∅4.40-5.15mm	
WIRE STRIP LENGTH 5.22-5.98	TERM APPL SPEC NONE	FEED 20.32	APPLICATOR INSTRUCTIONS 408-8040	SET UP GAGE 458637-1	

LOC	DIST	REV	DESCRIPTION	DATE	BY	APPD
A	66		RELEASED	02022007	MEH	GB

- △ RECOMMENDED SPARE PARTS
- △ GREASE LIGHTLY
- △ GUARD MUST BE IN PLACE WHEN OPERATING APPLICATOR IN A BENCH MACHINE
- △ APPLY TORQ-SEAL IN ALLEN SOCKET TO FILL HOLE AFTER FLAT HD HAS BEEN ADJUSTED TO CORRECT HEIGHT AT QUALIFICATION. APPLY PN 1-23419-5 LOC-TITE TO THREADS.
- △ THIS APPLICATOR APPLIES A TERMINAL WITH A SEAL.
- △ NOT A TERMINAL MANUFACTURER RECOMMENDED APPLICATION.
- △ CUT TO LENGTH AT ASSEMBLY.

*** WARNING**
ON INSTALLATION, SET WIRE DISC TO LARGEST WIRE SIZE SETTING. USE OF SETTINGS BELOW MIN. REQUIRED CRIMP HEIGHT SETTING WILL CAUSE DAMAGE TO CRIMP TOOLING.

QTY	REF	DESCRIPTION	ITEM NO	
-	-	455749-1	GUARD WINDOW	116
-	REF	679532-1	INSERT, GUARD	115
-	2	21024-2	WASHER, SPRG LOCK, REG NO 4	114
-	1	3-21001-5	SCR, SKT HD CAP 3/8-16 X 1.000	111
-	1	459610-1	MOUNT, FEED BRACKET	110
-	1	21024-8	WASHER, SPRG LOCK, REG 3/8	109
-	1	692655-7	AIR FEED VALVE ASSEMBLY	108
-	-	24024-2	VALVE, SHUT OFF	106
-	-	692655-5	AIR FEED VALVE ASSEMBLY	105
-	1	461065-1	ASSEMBLY, AIR FEED	104
-	2	3-21000-9	SCR, SKT HD CAP 10-32 X 1.000	103
-	1	21989-8	SCR, SKT HD SHLDR 3/16 DIA X .250	100
-	2	5-21006-6	SCR, SET, CUP POINT 10-32 X .750	99
-	1	1-22281-8	SPRING, COMPRESSION	96
-	2	1-21002-4	SCR, BTN SKT HD CAP 4-40 X .375	92
-	1	318563-1	GUARD, FRONT CHIP	89
-	2	1-21000-6	SCR, SKT HD CAP 4-40 X .625	85
-	1	455888-1	SPACER, CRIMPER	82
-	1	1-240641-4	SPACER	81
-	1	4088040	SF APPL INST 408-8040	72
-	1	217238-1	GENERAL INSTRUCTION PKG	71
-	1	461264-5	PLATE, IDENTIFICATION	67
-	2	21017-2	SCREW, DRIVE	66
-	1	21009-2	SCR, SET, SELF LOCKING 1/4-20 X .250	63
-	1	22733-8	SCR, BHSC, SELF-LOCKING, 8-32 X .375	60
-	1	2-22603-0	SCR, HEX HD CAP 8-32 X .312	59
-	1	2-21003-0	SCR, FLT SKT HD CAP 6-32 X .500	57
-	1	3-694433-1	FEED PAWL	56
-	4	2-21002-1	SCR, BTN SKT HD CAP 8-32 X .375	54
-	2	3-21000-2	SCR, SKT HD CAP 8-32 X 1.250	53
-	1	21018-5	NUT, HEX, REG 6-32	52
-	1	811242-2	BUMPER, HOLD DOWN	51
-	1	690753-1	SPACER, TONKER	50
-	1	1633399-4	APPL., BASIC AIR FEED SUB ASSY	46
-	1	690191-1	PLUG, NYLON	45
-	1	1-455673-4	RAM, SIDE FEED	44
-	1	7-21002-9	SCR, BTN SKT HD CAP 5/16-24 X 1.00	41
-	1	690125-1	SHIM SUB-ASSY	39
-	1	469367-3	SHIM	38
-	1	879103-2	FINE ADJUST HEAD ASSEMBLY	37
-	3	21024-5	WASHER, SPRG LOCK, REG NO 10	32
-	1	3-21000-4	SCR, SKT HD CAP 10-32 X .375	31
-	1	1-1633087-0	PLATE, STRIP GUIDE	29
-	1	455888-7	SPACER, CRIMPER	28
-	2	1-22284-0	SPRING, COMPRESSION	27
-	1	356835-1	LEVER, DRAG RELEASE	26
-	1	240792-1	DRAG, TERMINAL	25
-	1	1-679651-2	FRONT STRIP GUIDE	24
-	1	690472-2	STRIPPER	22
-	1	2-21000-7	SCR, SKT HD CAP 8-32 X .500	21
-	4	21024-4	WASHER, SPRG LOCK, REG NO 8	20
-	1	690461-1	STOP, SHEAR	18
-	1	679625-4	SHEAR HOLDER, FRONT (NO CUT)	17
-	2	1-21000-8	SCR, SKT HD CAP 6-32 X .250	16
-	1	2-690464-1	SHEAR PLATE, REAR	15
-	-	1-690462-5	SHEAR HOLDER, REAR	14
-	1	690463-1	FLOATING SHEAR, REAR	13
-	2	3-22280-3	SPRING, COMPRESSION	12
-	1	1-690461-7	STOP, SHEAR	11
-	-	2-690459-2	SHEAR HOLDER, FRONT	10
-	1	318059-4	FLOATING SHEAR, FRONT	9
-	1	1-1633332-3	ANVIL, COMBINATION	8
-	1	7-240641-2	SPACER	7
-	1	1-690468-5	DEPRESSOR SHEAR, REAR	6
-	1	122399-4	DEPRESSOR, SHEAR	5
-	1	238011-2	BLOCK, CRIMPER SPACER	4
-	1	9-1583690-5	CRIMPER, INSUL O	3
-	1	1-455888-0	SPACER, CRIMPER	2
-	1	2-1673600-2	CRIMPER, WIRE	1



QTY	REF	DESCRIPTION	ITEM NO					
-	1	1-189807-3	FENCE	126				
-	1	681023-3	SHEAR HOLDER, REAR	125				
-	1	8-21000-7	SCR, SKT HD CAP 10-32 X 2.500	124				
-	-	692655-6	AIR FEED VALVE ASSEMBLY	118				
-	1	461062-1	FEED FINGER ASSEMBLY	117				
-77	-6	-3	-2	-1	U/M	PART NO	DESCRIPTION	ITEM NO

DIMENSIONS: INCHES
 TOLERANCES UNLESS OTHERWISE SPECIFIED:
 0 PLC ±.01
 1 PLC ±.01
 2 PLC ±.01
 3 PLC ±.001
 4 PLC ±.001
 ANGLES ±0.0001
 FINISH: -

CUSTOMER DRAWING: A1
 SCALE: 3:5
 SHEET: 1 OF 1
 REV: A

Tyco Electronics
 Harrisburg, PA 17105-3608
 FINE ADJUST SIDE FEED HDM APPLICATOR

CUSTOMER VIEWABLE ASSEMBLY