

MODELS:

SRW18US / SRW18USG

SmartRack® Wall-Mount Rack Enclosure Cabinets



18 Rack Units



250 lb.
Load Rating



Sturdy Steel
Construction



Locking Doors
& Side Panels



Clear Acrylic
Front Window
(SRW18USG only)



Hinged Wall
Bracket



Standard
19" Rack Width



Convenient
Cable Access



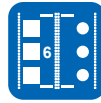
Adjustable
Mounting
Rails



Ventilated for
Ample Airflow



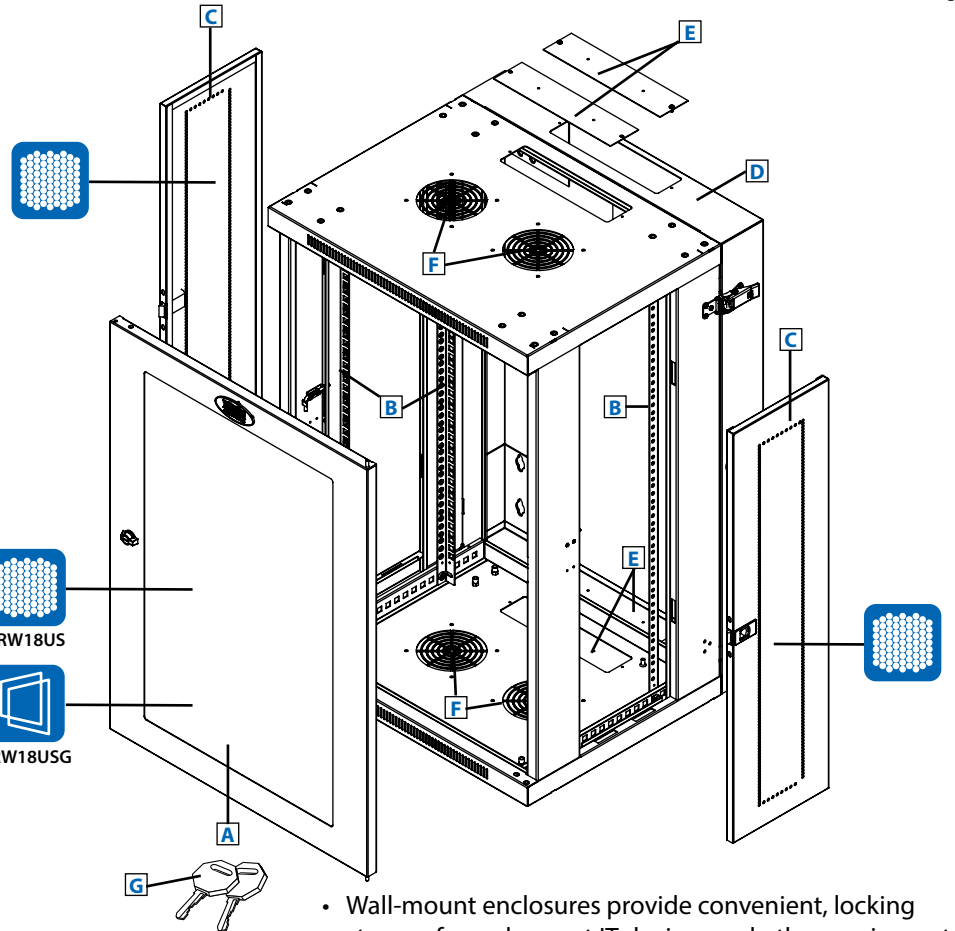
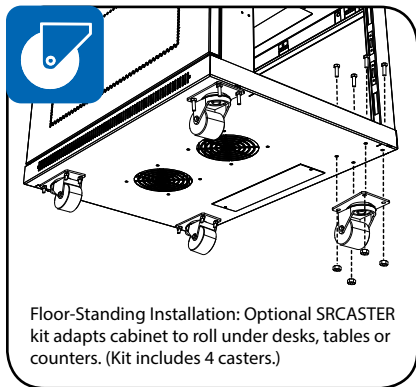
Reversible
Cabinet



Square/
Threaded Hole
Mounting

- A** Front Door
(Lockable/Removable/Reversible.
SRW18US door is perforated;
SRW18USG door has a clear acrylic window.)
- B** Adjustable Mounting Rails (4)
(Support square and threaded hole mounting options.)
- C** Side Panels (2)
(Lockable/Removable)
- D** Hinged Wall Bracket
(Lockable/Reversible.)
- E** Cable Access Port Covers (2)
(Removable)
- F** Ventilation Fan Ports (4)
(Support optional SRFANWM fan kit.)
- G** Keys (2)

Also Includes: Owner's manual, mounting plate screws (3), cabinet ground screw, pre-installed front door ground wire and rackmount equipment mounting hardware (42 cage nuts, 42 M6 x 16mm mounting screws, 42 #12-24 x 5/8" mounting screws, 42 nylon cup washers)



- Wall-mount enclosures provide convenient, locking storage for rackmount IT devices and other equipment that should be off the floor, out of the way and secure
- The cabinet is fully reversible, allowing installers to change door hinges from left to right by simply rotating the unit 180 degrees before mounting
- Hinged wall bracket allows cabinet to swing away from the wall for convenient access to equipment and cabling

SEE NEXT PAGE FOR DETAILED UNIT MEASUREMENTS



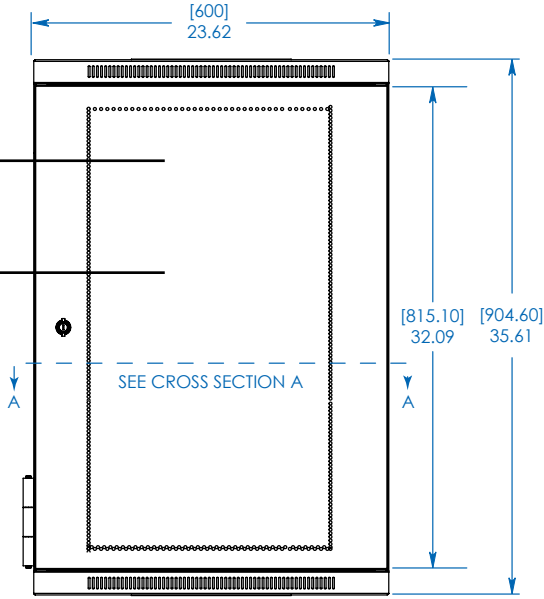
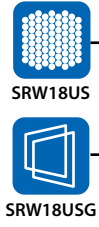
1111 W. 35th Street
Chicago, IL 60609 USA
773.869.1234
www.tripplite.com

Specifications

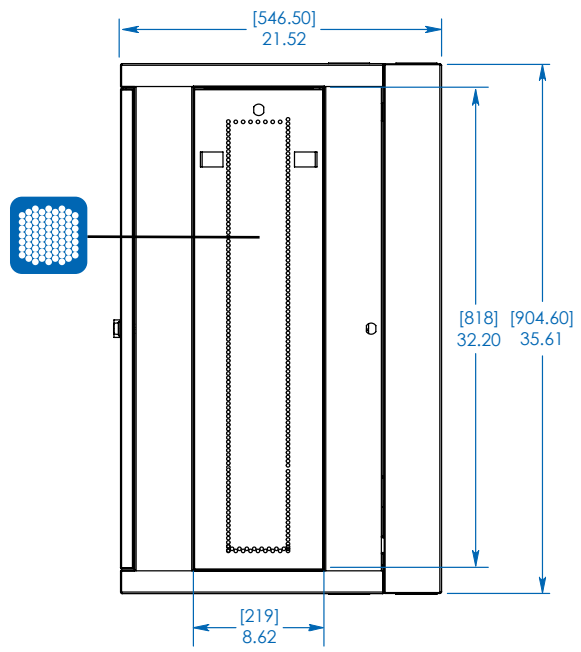


Model	SRW18US / SRW18USG
Rack Spaces	18U
Equipment Mounting Depth	Up to 20.5 in. (521 mm)
Load Rating*	250 lb. (113 kg)
Unit Dimensions [H x W x D]	35.6 x 23.62 x 21.52 in. (904.6 x 600 x 546.5 mm)
Shipping Dimensions [H x W x D]	41.3 x 25.5 x 23.6 in. (1049 x 647.7 x 599.4 mm)
Unit Weight	96 lb. (43.5 kg)
Shipping Weight	110 lb. (49.9 kg)
Standards	Tested to UL/CSA 60950-1, IEC 60297-3-100, RoHS, NOM (Mexico), EIA/ECA-310-E, GOST; PCI Compliant, IP20 Protection Rating

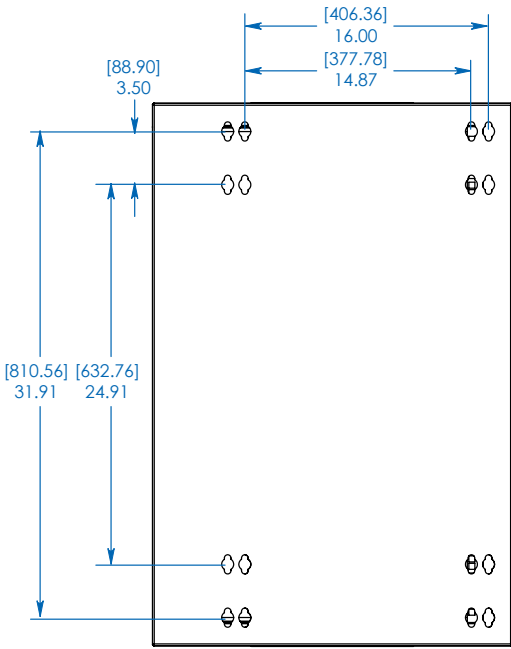
* The load rating includes the combined weight of the unit and installed equipment. The unit must be mounted to a stable surface with user-supplied anchors capable of bearing the full load.



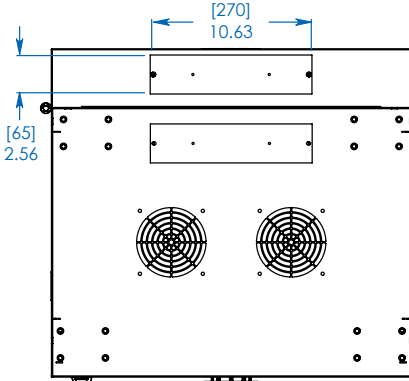
FRONT VIEW



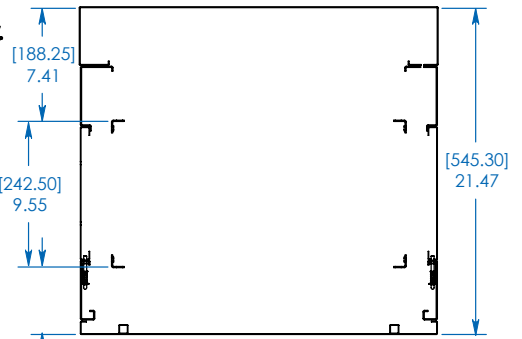
SIDE VIEW



REAR VIEW



TOP/BOTTOM VIEW



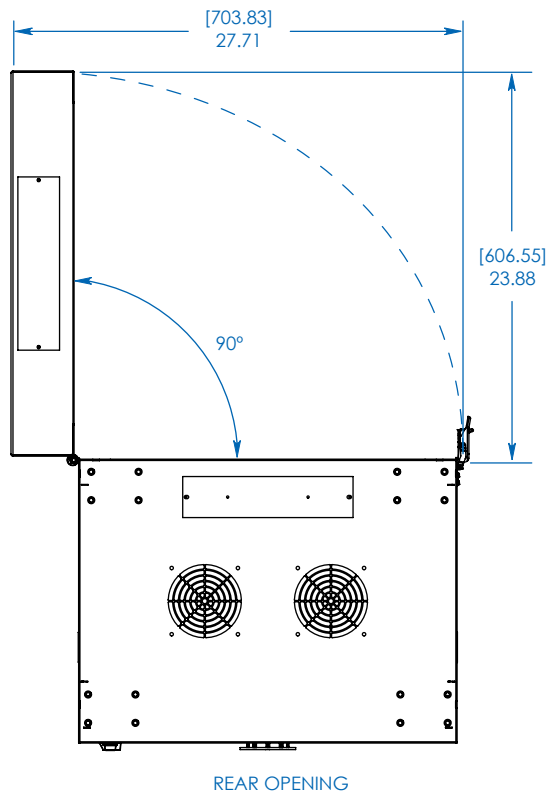
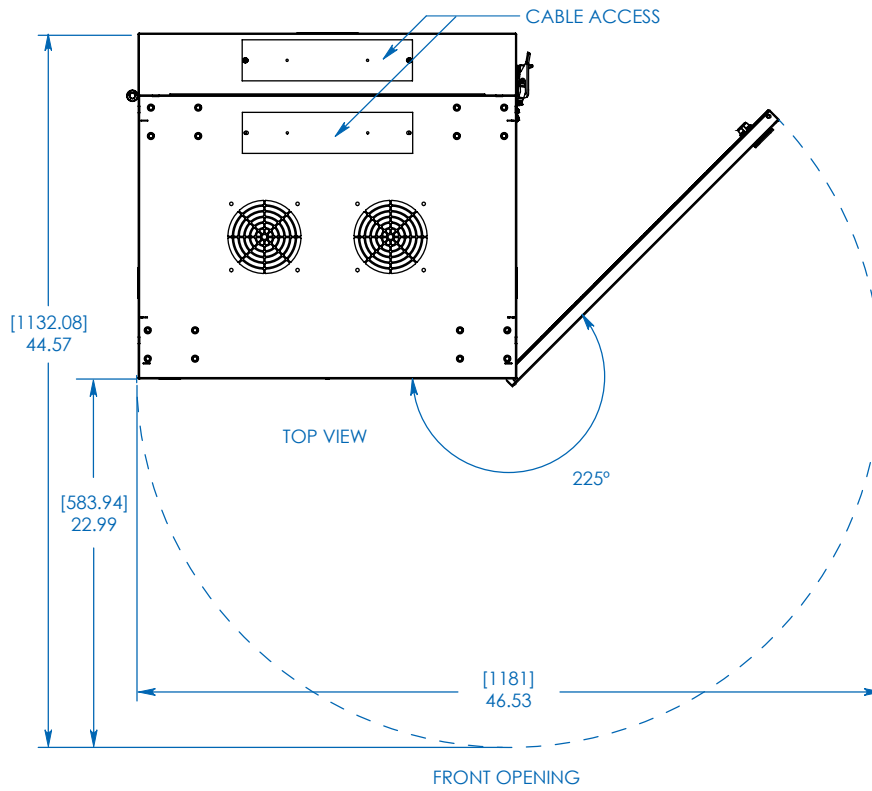
CROSS SECTION A
USABLE MOUNTING DEPTH

MODELS:
SRW18US / SRW18USG



Dimensions: [mm] INCHES

Tripp Lite has a policy of continuous improvement. Specifications are subject to change without notice.



MODELS:
SRW18US / SRW18USG



1111 W. 35th Street
Chicago, IL 60609 USA
773.869.1234
www.tripplite.com

Dimensions: [mm] INCHES

Tripp Lite has a policy of continuous improvement. Specifications are subject to change without notice.