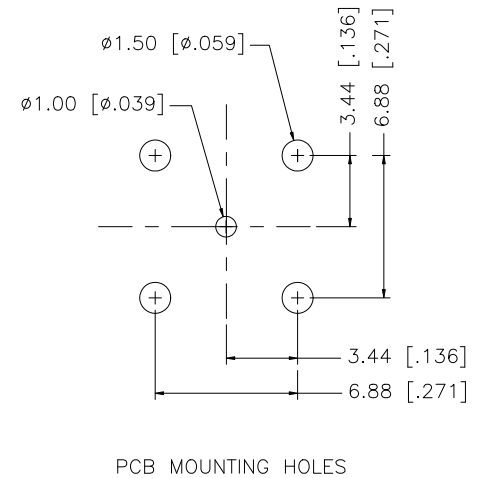
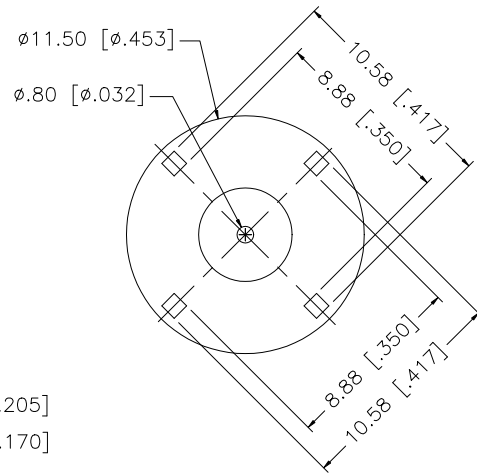
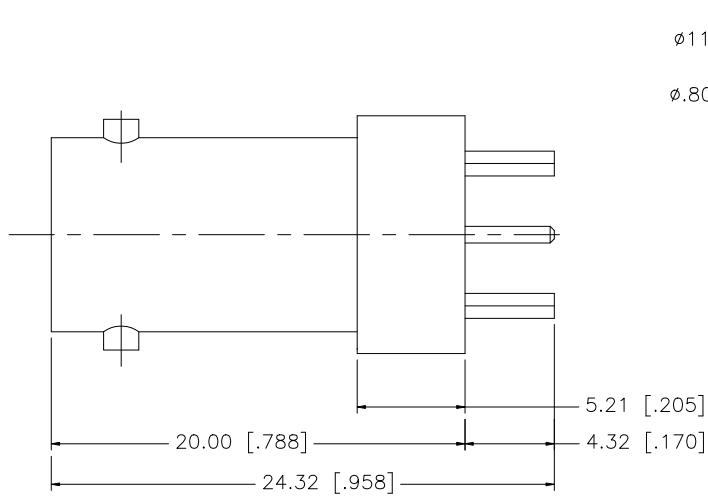


REV.	DATE	ECR NO.	DESCRIPTION
NC	03/20/03	-	INITIAL RELEASE
A	01/21/09	100076	REVISE BODY PLATING TO NICKEL
B	02/05/09	-	ADD NOTE 1.



NOTES:

1. VSWR 1.15 MAX @ 3GHz.

DESCRIPTION	MATERIAL	FINISH	QTY	UNLESS OTHERWISE SPECIFIED DIMENSIONS ARE IN MILLIMETERS. DIMENSIONS IN [] ARE IN INCHES AND FOR CUSTOMER REFERENCE ONLY.	APPROVALS	DATE	Amphenol Connex				
8				UNLESS OTHERWISE SPECIFIED TOLERANCES FOR MILLIMETERS ARE: 0.5 - 8mm ± 0.20mm 8 - 30mm ± 0.40mm 30 - 120mm ± 0.50mm UNLESS OTHERWISE SPECIFIED TOLERANCES FOR INCHES ARE: .020 - .315 = ± 0.007" .315 - 1.180 = ± 0.015" 1.180 - 4.724 = ± 0.020"	DRAWN	GRS	02/05/09	BNC P.C. MOUNT RECEPTACLE JACK (75 ohm)			
7			CHECKED								
6			ISSUED								
5					SHEET	1 OF 1		PART NO. 112515-75			
4							DWG. NO. 112515-75.DWG				
3	CONTACT PIN	PHOS. BRONZE	GOLD	1			REV. B				
2	INSULATOR	PTFE	NATURAL	1			SIZE A				
1	BODY	BRASS	NICKEL	1			SCALE NA				
				DO NOT SCALE DRAWING	CAD FILE C:/112/112515-75.DWG						