

THIS DRAWING IS UNPUBLISHED.

RELEASED FOR PUBLICATION

ALL RIGHTS RESERVED.

© COPYRIGHT - By -

LOC  
J

DIST  
-

REVISIONS

変更

DESCRIPTION

DATE

DWN

APVD

P

LTR

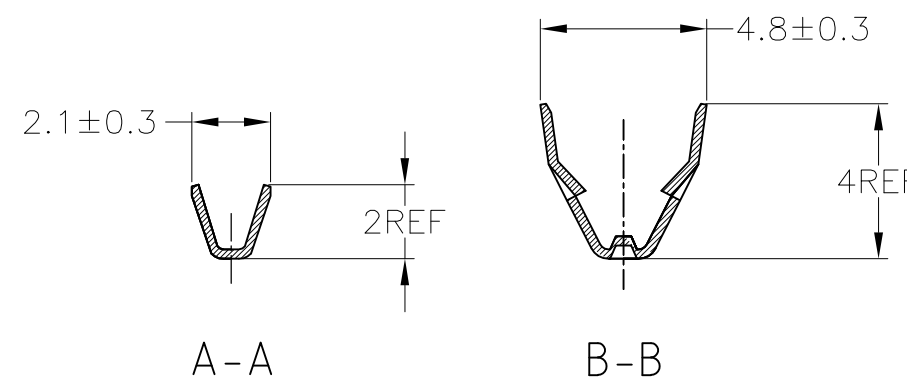
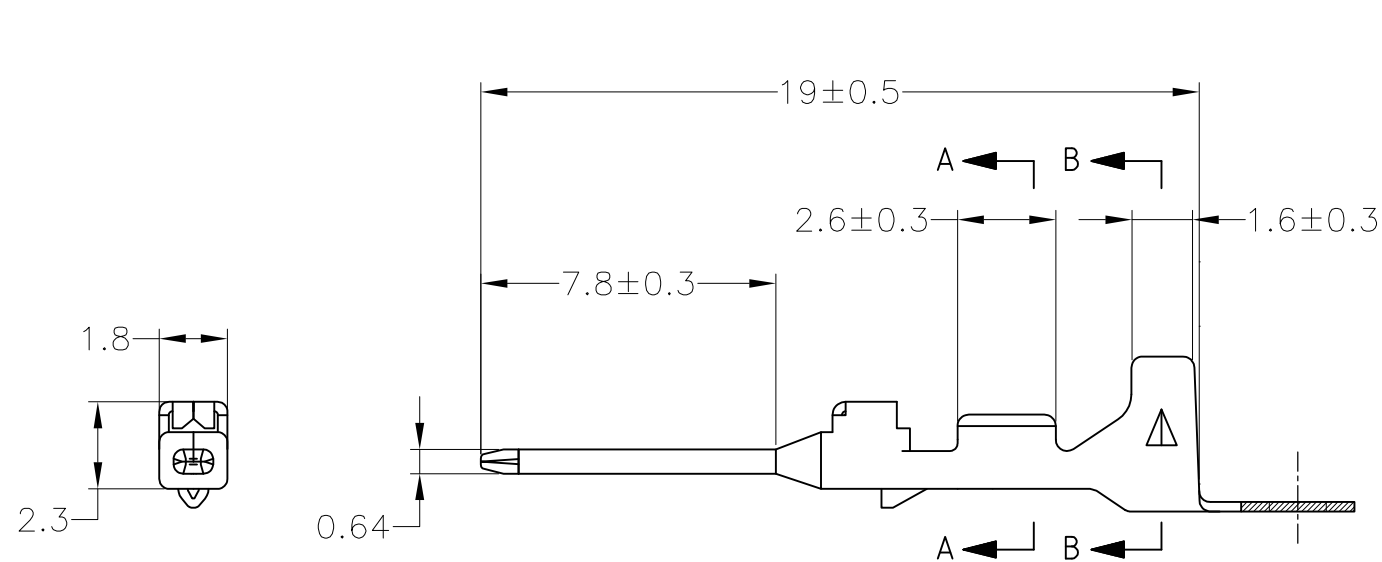
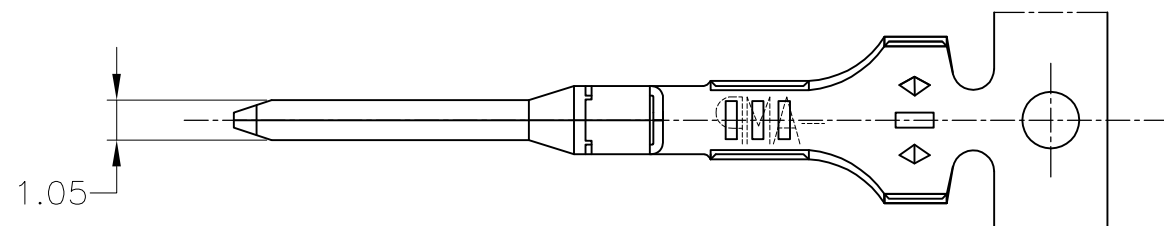
C3 REVISED PER ECO-11-005140

28MAR11

RK

HMR

-1: AS SHOWN  
本図



- 1. 相手側端子型番 : 173681
- 2. バラ状端子型番 : 175063

- 1. MATING RECEPTACLE NUMBER; 173681
- 2. LOOSE PIECE NUMBER: 175063

THIS DRAWING IS A CONTROLLED DOCUMENT.

DWN M.SUGAWARA 10JAN07

CHK K.BETSUI 10JAN07

APVD K.BETSUI 10JAN07

PRODUCT SPEC 製品規格

APPLICATION SPEC 取付適用規格

114-5108

WEIGHT 0.22g

CUSTOMER DRAWING



NAME

名称

040 SERIES TAB CONTACT

SIZE

A3

CAGE CODE

00779

DRAWING NO

番号

G-173682

RESTRICTED TO

-

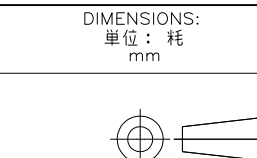
SCALE 5:1

SHEET 1 OF 1

REV C3

TOLERANCE UNLESS OTHERWISE SPECIFIED: 一般公差

|              |         |
|--------------|---------|
| 0 < x ≤ 10   | : ±0.2  |
| 10 < x ≤ 30  | : ±0.25 |
| 30 < x ≤ 100 | : ±0.3  |
| ANGLE ; 角度   | : ±3°   |



MATERIAL 材料 BRASS THICKNESS 黄銅、板厚: 0.25

TOLERANCES UNLESS OTHERWISE SPECIFIED: 一般公差

|        |    |
|--------|----|
| 0 PLC  | ±- |
| 1 PLC  | ±- |
| 2 PLC  | ±- |
| 3 PLC  | ±- |
| 4 PLC  | ±- |
| ANGLES | ±- |

FINISH 仕上 PRE-TINNED 錫めっき済