

**Ratings**

Temperature: 0 ~ 70 °C  
Voltage: 150 V

**Conductor**

Gauge: 32 AWG, 0.039 mm<sup>2</sup>  
Material: tinned copper strands  
Stranding:  $\phi 0.05 \times 19$   
Resistance at 20 °C: 590  $\Omega$ /km

**Insulator**

Material: HDPE  
Color: black, white, red  
Outer diameter:  $\phi 0.55 \pm 0.05$  mm  
Nominal thickness: 0.15 mm  
Resistance at 20 °C: 1000 M $\Omega$ /km

**Shield**

Type: spiral  
Material: tinned copper strands  
Strand size:  $\phi 0.08$  mm  
Coverage: 90 % minimum

**Outer jacket**

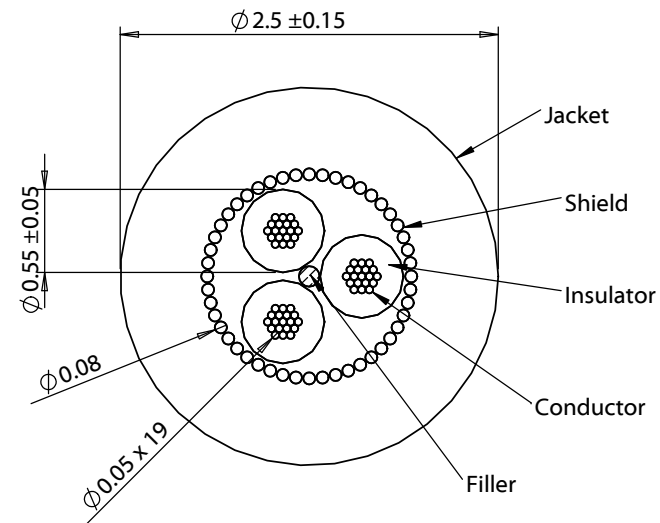
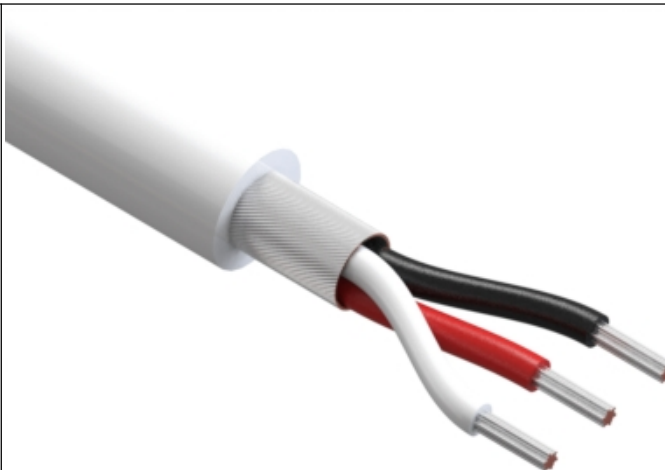
Material: TPU, 70 °C  
Color: white, cool gray 1C  
Nominal thickness: 0.50 mm  
Diameter:  $\phi 2.5 \pm 0.15$  mm

**Filler**

Material: kevlar

**Tests**

Tensile strength: 25.5 kgf  
Dielectric test: 1500 V dc for 1 minute without breakdown  
Bend test at 200 g,  $\pm 90^\circ$ , 30 cycles /min: 10,000 cycle minimum



| REVISION | DATE      | DESCRIPTION                        | PREPARED:  | NOTES  | <b>TENSILITY</b><br>20802 Sockeye Place #130<br>Bend, OR 97701 USA<br>tel 541.323.3228 fax 541.323.4202<br>800 877.670.7118 www.tensility.com |          |  |
|----------|-----------|------------------------------------|--|--|---|----------|--|
| A        | 4/22/2015 | Initial release                    |  | RoHS and REACH compliant   |   |          |  |
| A1       | 1/13/2016 | Updated notes, corrected tolerance | VERIFIED:  | Jacket meets ISO 10993 Biological Compatibility                                | A   | 30-00454 |  |
|          |           |                                    |  | Phthalate and halogen free   | SCALE: 1:1  |          |  |
|          |           |                                    | DIMENSIONS ARE IN MILLIMETERS  | Function test: no open, no short, no intermittent                              | SHEET 1 OF 1  |          |  |
|          |           |                                    | TOLERANCES:<br>X: $\pm 0.5$ mm<br>X.X: $\pm 0.3$ mm<br>X.XX: $\pm 0.05$ mm | DESCRIPTION:<br>Wire, 3C, 32 AWG, 150V, 80C, 2.5 mm, spiral shield, TPU, white |   |          |  |