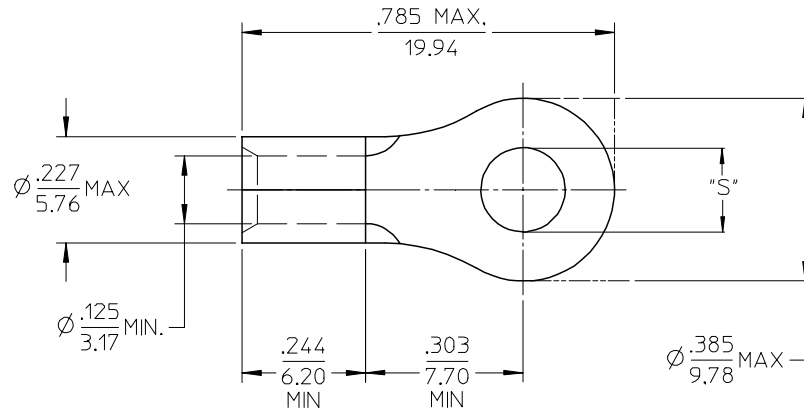
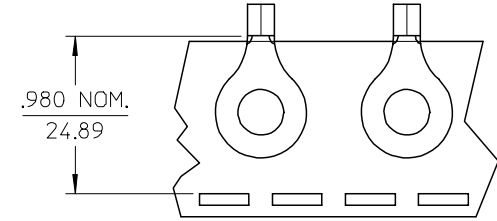


MATERIAL NO. LOOSE PIECE	ENG. NO.	MATERIAL NO. TAPE MOUNTED	ENG. NO.	STUD	±.003 "S"	STOCK THICKNESS
191930101	C-328-04	-----	-----	4	.126	.040 (1.02)
191930103	C-328-06	191930105	C-328-06T	6	.146	
191930106	C-328-08	191930108	C-328-08T	8	.173	
191930109	C-328-10	191930111	C-328-10T	10	.198	
191930112	C-328-209	191930113	C-328-209T	209	.209	



SALES DRAWING

NOTE(S):

1. MATERIAL: COPPER
2. PLATING: ELECTROPLATE TIN
3. ALL DIMENSIONS IN INCHES/(MM)
4. WIRE SIZE: 12-10 AWG
4.0-6.0 MM²

REVISED/UPDATE TO MX STD EC NO: ETC2003-0315 DRWN: DMYRICK 2003/08/20 CHKD: HEB 2003/08/21 APPR: RDEROSS 2003/08/21	DESCRIPTION A	QUALITY SYMBOLS	GENERAL TOLERANCES (UNLESS SPECIFIED)	SCALE 4:1	DESIGN UNITS INCH	THIRD ANGLE PROJECTION	REVISE ON CAD ONLY																
		▽ = 0 ▽ = 0	<table border="1"> <thead> <tr> <th></th> <th>mm</th> <th>INCH</th> </tr> </thead> <tbody> <tr> <td>4 PLACES</td> <td>± ---</td> <td>± ---</td> </tr> <tr> <td>3 PLACES</td> <td>± ---</td> <td>± .005</td> </tr> <tr> <td>2 PLACES</td> <td>± 0.13</td> <td>± .01</td> </tr> <tr> <td>1 PLACE</td> <td>± 0.25</td> <td>± ---</td> </tr> </tbody> </table> ANGULAR ±1/2°		mm	INCH	4 PLACES	± ---	± ---	3 PLACES	± ---	± .005	2 PLACES	± 0.13	± .01	1 PLACE	± 0.25	± ---	DIMENSION STYLE IN/MM	TITLE	RING TONGUE TERMINAL VERSAKRIMP 12-10 AWG		
			mm	INCH																			
		4 PLACES	± ---	± ---																			
3 PLACES	± ---	± .005																					
2 PLACES	± 0.13	± .01																					
1 PLACE	± 0.25	± ---																					
DRAFT WHERE APPLICABLE	DRAWN BY DLM CHECKED BY HEB APPROVED BY RWD	DATE 03/06/13 DATE 03/06/13 DATE 03/06/13	MATERIAL NO. (SEE CHART) DOCUMENT NO. SD-19193-023 SHEET NO. 1 OF 1	MOLEX INCORPORATED																			
MUST REMAIN WITHIN DIMENSIONS	THIS DRAWING CONTAINS INFORMATION THAT IS PROPRIETARY TO MOLEX INCORPORATED AND SHOULD NOT BE USED WITHOUT WRITTEN PERMISSION						B																