

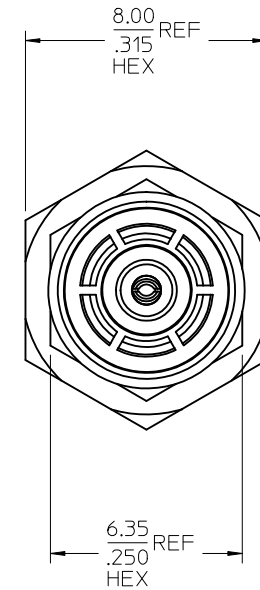
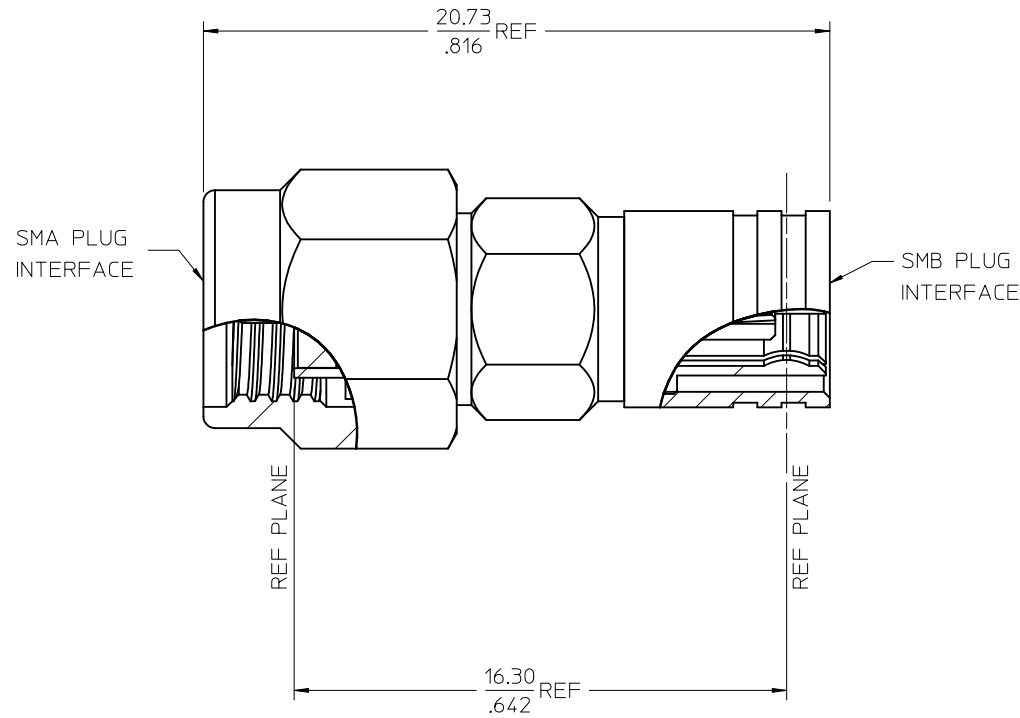
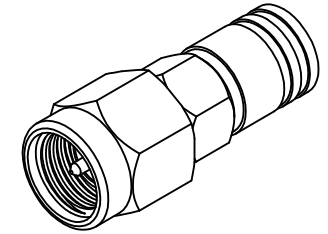
MATERIALS AND FINISHES

BODY BERYLLIUM COPPER
PLATED NICKEL

SMA COUPLING NUT, SMB SLEEVE BRASS
PLATED GOLD

CENTER CONTACT BERYLLIUM COPPER
PLATED GOLD

INSULATOR TEFLON



MIL-STD-348A, FIG. 311.2	SMB INTERFACE
MIL-STD-348A, FIG. 310.1	SMA INTERFACE
PS-89675-2730	ELECTRO/MECH PERFORM.
SPECIFICATION	DESCRIPTION

73386-0211	TRAY
73386-0210	ONE PER BAG
PART NO.	PACKAGING

CHG: SMB SLEEVE
WAS NICKEL PLATED
COUPLING NUT WAS
STAINLESS STEEL
PASSIVATED

EC NO: URF2012-0274
DRWN: WIENER 2011/11/15
CHKD: SSS 2011/11/15
APPR: WIENER 2011/11/16

QUALITY SYMBOLS	▽=0
	▽=0

GENERAL TOLERANCES (UNLESS SPECIFIED)	mm	INCH
4 PLACES	± .005	± .0004
3 PLACES	± .005	± .0004
2 PLACES	± .005	± .0004
1 PLACE	± .005	± .0004
ANGULAR ± 2 °		
DRAFT WHERE APPLICABLE MUST REMAIN WITHIN DIMENSIONS		

DIMENSION STYLE	MM/IN
DRAWN BY	EDC
DATE	1997/12/30
CHECKED BY	DHG
DATE	1997/12/30
APPROVED BY	GMH
DATE	1997/12/30
MATERIAL NO.	SEE TABLE

SCALE	DESIGN UNITS	THIRD ANGLE PROJECTION
	METRIC	
TITLE		
SMB PLUG/SMA PLUG STR IN LINE ADAPTER, 50 OHMS BSA-SMBP/SMAP		
MOLEX INCORPORATED		
DOCUMENT NO.	SD-73386-021	SHEET NO.
		1 OF 1
SIZE THIS DRAWING CONTAINS INFORMATION THAT IS PROPRIETARY TO MOLEX INCORPORATED AND SHOULD NOT BE USED WITHOUT WRITTEN PERMISSION		