

Customer Information Sheet

DRAWING No.: M52-505XX45

SHEET 2 OF 2

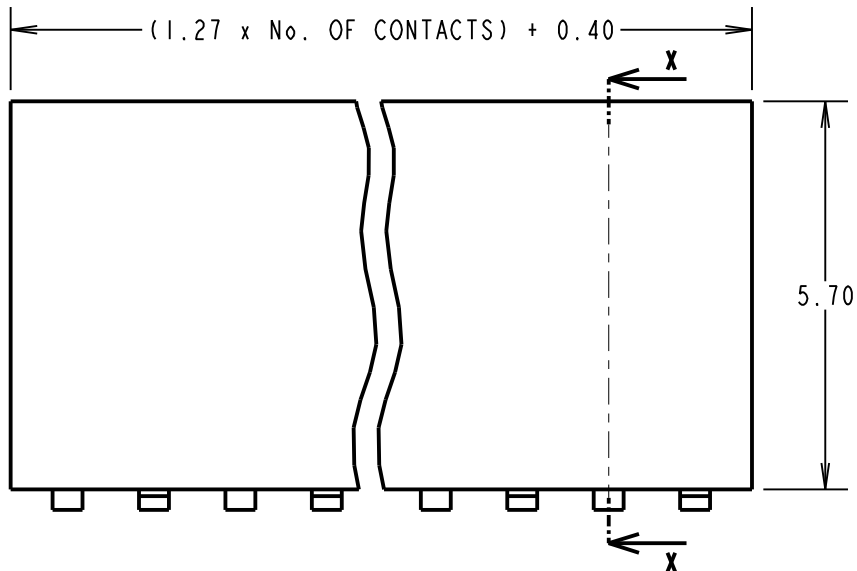
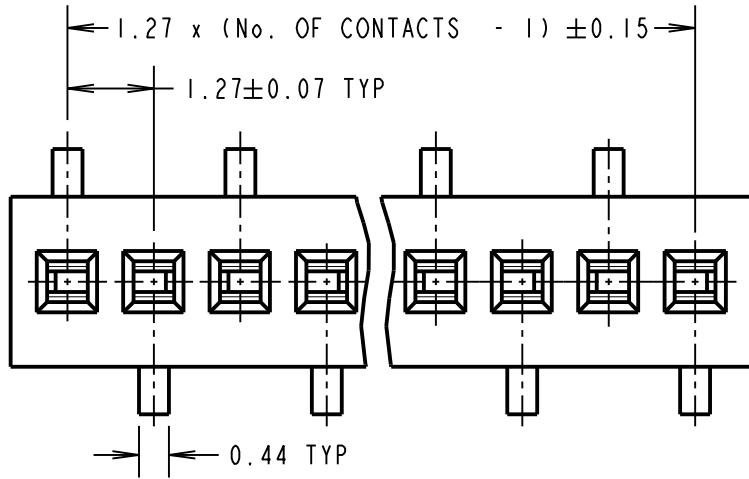
IF IN DOUBT - ASK

©

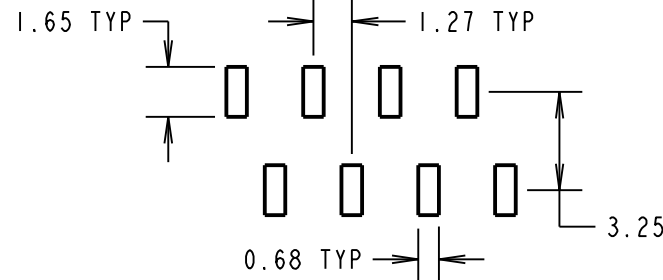
NOT TO SCALE

THIRD ANGLE PROJECTION

ALL DIMENSIONS IN mm



RECOMMENDED PCB LAYOUT (PCB TOLERANCE ±0.05)



NOTES:
1. ALL TOLERANCES ARE ±0.25 UNLESS OTHERWISE STATED.

SPECIFICATIONS:

MATERIAL:
MOULDING = NYLON 6T UL94V-0, BLACK
CONTACT = PHOSPHOR BRONZE
FINISH:
CONTACT = GOLD OVER NICKEL
ELECTRICAL:
CURRENT RATING = 1A
DIELECTRIC WITHSTAND VOLTAGE = 1000V ACrms FOR ONE MINUTE
CONTACT RESISTANCE = 20mΩ MAX
INSULATION RESISTANCE = 1000MΩ MIN
MECHANICAL:
INSERTION FORCE = 1.5N MAX PER PIN
WITHDRAWAL FORCE = 0.10N MIN PER PIN
DURABILITY = 300 CYCLES
ENVIRONMENTAL:
OPERATING TEMPERATURE = -40°C TO +105°C
PACKING:
TUBE

ORDER CODE:

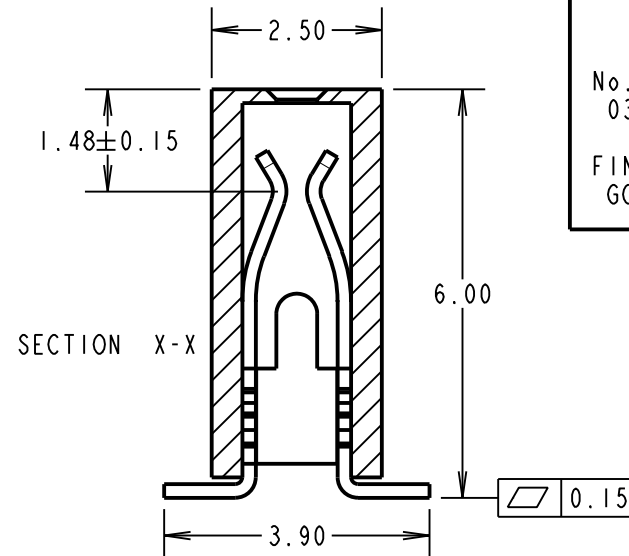
M52-505XX45

No. OF CONTACTS PER ROW:

03 TO 50

FINISH:

GOLD



SB	8	17.12.13	11905
NAME	ISS.	DATE	C/NOTE
APPROVED: S.BENNETT			
CHECKED: S.FLOWER			
DRAWN: J. ENRIGHT			
CUSTOMER REF.:			
ASSEMBLY DRG:			

HARWIN

www.harwin.com
technical@harwin.com

THIS DRAWING AND ANY INFORMATION OR DESCRIPTIVE MATTER SET OUT HEREON ARE CONFIDENTIAL AND COPYRIGHT PROPERTY OF THE HARWIN GROUP AND MUST NOT BE DISCLOSED, LOANED, COPIED OR USED FOR MANUFACTURING, TENDERING OR FOR ANY OTHER PURPOSE WITHOUT THEIR WRITTEN PERMISSION.

TOLERANCES
~~X = ±1mm~~
~~X.X = ±0.25mm~~
~~X.XX = ±0.10mm~~
~~X.XXX = ±0.01mm~~
ANGLES = ±5°
UNLESS STATED

MATERIAL:
SEE ABOVE
FINISH: SEE ABOVE
S/AREA: mm²

TITLE:
1.27mm PITCH SIL
VERTICAL SMT SOCKET ASSY
DRAWING NUMBER:
M52-505XX45
SHT 2 OF 2