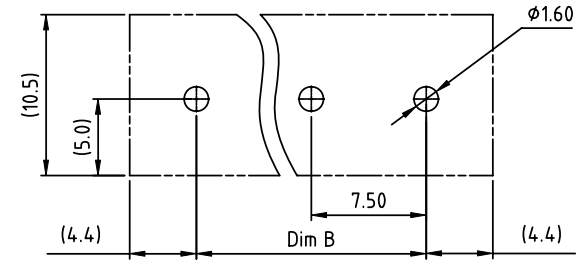
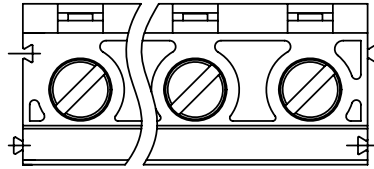
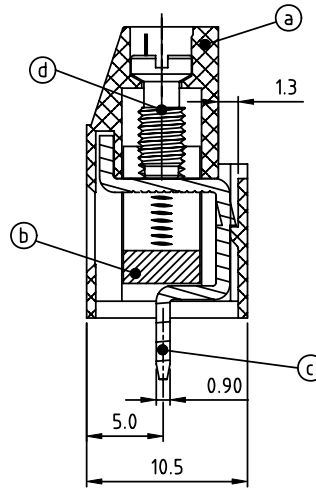
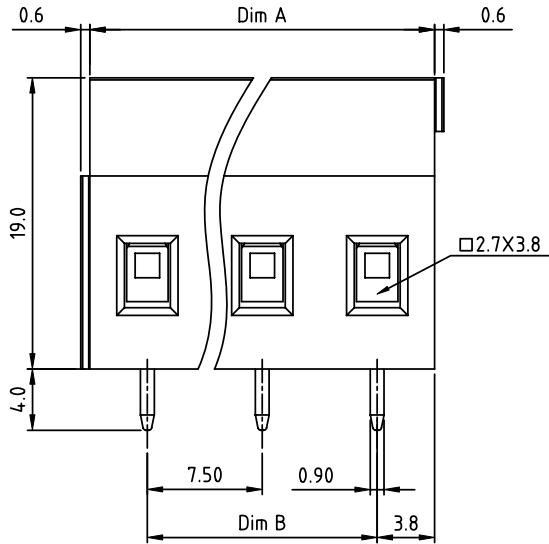


PRODUCT NUMBER	PITCH
VJxx41x200J0G	7.50 mm



RECOMMENDED P.C.B. LAYOUT
TOP VIEW



Material:

- Item (a) Terminal housing: Thermoplastic (UL 94V-0)
- Item (b) Clamp: Brass Ni plated
- Item (c) Solder pin: Brass Tin plated
- Item (d) Terminal screw: Steel Zinc plating"-slot type

Electrical cULus / VDE

- Voltage rating : 300VAC / 750V
- Current rating : 20A / 24A
- Wire range : 0.2-2.5mm²
- Solid wire(AWG) : 12-30
- Stranded wire(AWG) : 12-30
- Torque : 3.5 Lb-In / 0.5 N.m
- Screw: M3
- Wire strip length: 6-7mm
- Withstanding Voltage: 1.6KV / 3KV
- Operating temperature: -40°C to +115°C
- Soldering temperature: 260°C±5°C/5 Sec
- Safety Approval:

DIMENSION

Dim A	N×7.5
Dim B	(N-1)×7.5

N=Number of poles

Poles	Tolerance
2p-6p	±0.20
7p-12p	±0.30
13p-16p	±0.40

PART NO.: VJ xx 4 1 x 2 00J0 G

End stackable	0	Black (RAL9005)	RoHS compliant (lead<4%) In copper Alloy
No. of poles	2	Red (RAL3001/D)	
02 2 poles	3	Orange(RAL2011/P)	
03 3 poles	4	Yellow(RAL1018/A)	
...	5	Green(RAL6018/T)	
16 16 poles	6	Blue (RAL5015/A)	
	8	Grey(RAL7035/D)	
	9	White(RAL1102)	
	C	Green(RAL6018/U)	

mat'l. code		surface ASME Y14.5	tolerance ASME Y14.5	projection	product family
ltr ecn no dr date		tolerances unless otherwise specified			TERMINAL BLOCK
		angles	X.±0.5	MM	title
		±1°	X.X±0.3		TERMINAL BLOCK
			X.XX±0.1	scale	RISING CLAMP, 180D WIRE INLET, END STACKABLE
		dr	EVIN ZHONG 040914		dwg no
		enr	EVIN ZHONG 040914		sheet 1 of 1
		chr	HANKE FENG 040914		size
		appd	SHI JUN 040914		A4
sheet index	revision sheet	A	1		type
					CUSTOMER Drawing