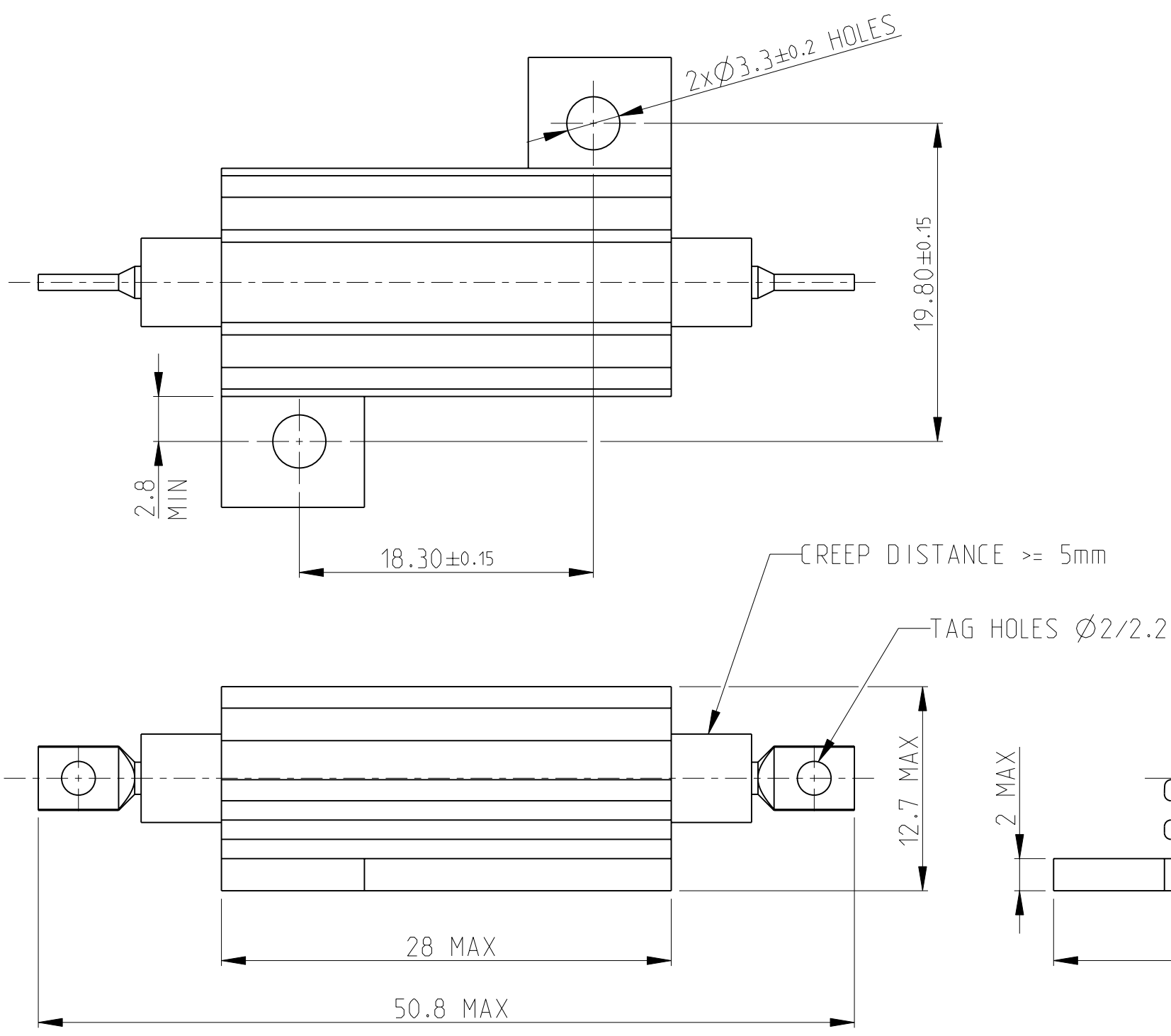


THIS DRAWING IS UNPUBLISHED. RELEASED FOR PUBLICATION OCT. 2005
 © COPYRIGHT 2005 BY TYCO ELECTRONICS CORPORATION. ALL RIGHTS RESERVED.

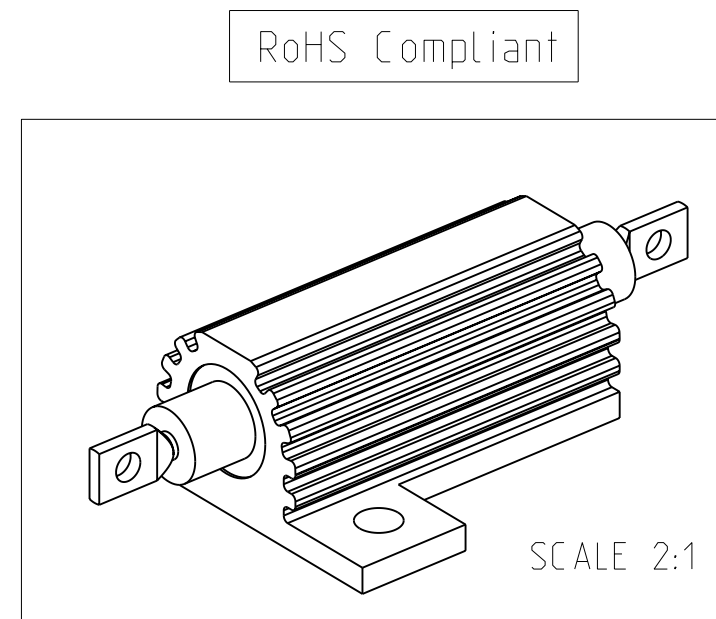
LOC	DIST	REVISIONS			
P	LTR	DESCRIPTION	DATE	DWN	APVD
E	B	B1	Released as per ECR-08-022292	4-Sep-08	SP JC



1 FOR FURTHER INFORMATION SEE DATA SHEET FOR HS SERIES-ALUMINIUM HOUSED RESISTORS
 2 FOR A SPECIFIC PN FOR A RESISTANCE VALUE AND TOLERANCE, PLEASE REFER TO DMF
 3 TECHNICAL SPECIFICATION

DISSIPATION AT 25°C : 25 WATTS MOUNTED ON STANDARD HEATSINK
 BS OHMIC RANGE : R051 TO 36K
 STABILITY : ΔR < =1% PER 1000Hrs
 ISOLATION VOLTAGE : 3500V DC/AC pk
 MAX WORKING VOLTAGE : 500V DC/AC rms
 TEMP COEFFICIENT : > 1R0 50ppm
 > 100R 25ppm
 CLIMATIC CATEGORY : 55/200/56

AS STANDARD HSA25 BUT WITH EXTENDED NOSECONES & INCREASED INSULATION



THIS DRAWING IS A CONTROLLED DOCUMENT FOR TYCO ELECTRONICS CORPORATION IT IS SUBJECT TO CHANGE AND THE CONTROLLING ENGINEERING ORGANIZATION SHOULD BE CONTACTED FOR THE LATEST REVISION.		DWN DAVE KENNEDY 22.SEP.05	Tyco Electronics Corporation Dorcan, Swindon, SN3 5HH															
DIMENSIONS: mm		CHK J CATCHPOLE 23.SEP.05	NAME KHSA25 WITH EXTENDED NOSECONES															
TOLERANCES UNLESS OTHERWISE SPECIFIED:		APVD J CATCHPOLE 23.SEP.05																
<table border="1"> <tr><td>0 PLC</td><td>±0.5</td></tr> <tr><td>1 PLC</td><td>±0.2</td></tr> <tr><td>2 PLC</td><td>±0.1</td></tr> <tr><td>3 PLC</td><td>±</td></tr> <tr><td>4 PLC</td><td>±</td></tr> <tr><td>ANGLES</td><td>±5°</td></tr> </table>		0 PLC	±0.5	1 PLC	±0.2	2 PLC	±0.1	3 PLC	±	4 PLC	±	ANGLES	±5°	PRODUCT SPEC -	SIZE A3	CAGE CODE 00779	DRAWING NO C=1625980	RESTRICTED TO -
0 PLC	±0.5																	
1 PLC	±0.2																	
2 PLC	±0.1																	
3 PLC	±																	
4 PLC	±																	
ANGLES	±5°																	
MATERIAL -		APPLICATION SPEC -	SCALE 3:1		SHEET 1 OF 1	REV B1												
FINISH -		WEIGHT -	CUSTOMER DRAWING															